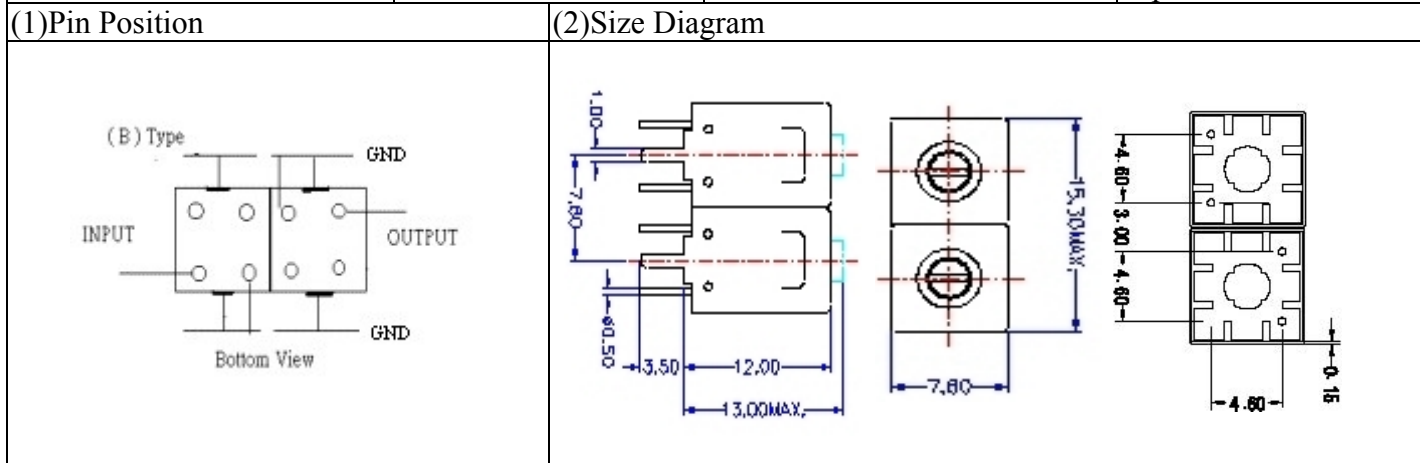


VHF UHF Helical Filter Specification Sheet

Customer Name		Temwell's Part No.	TD62714B-157M
Approval No. /dated	201709035CD	Temwell's print Name	62714B 157M
Work Instruction No.	201709035CD	Date	Sep.18.2017



(3) Electric Characteristic

Item	Specify	Performance
Center Freq.(Fo) +/- 0.5 %	157 MHz	157 MHz
Insertion Loss	Typ. 3.5 dB	2.83 dB
-3 dB Bandwidth	Typ. 2 MHz	5.2 MHz
Sensitivity (Attenuation)	Fo - 10 MHz	Typ. 16 dBc
	Fo + 10 MHz	Typ. 21 dBc
	Fo - ()MHz	Typ. dBc
	Fo + ()MHz	Typ. dBc
Return Loss	Min. 12 dB	20.6 dB
Ripple	< 1 dB	dB
Impedance	In / Out : 50 Ω	In / Out : 50 Ω

(4) Torque for Tuning Screw

	> 60gf · cm
--	-------------

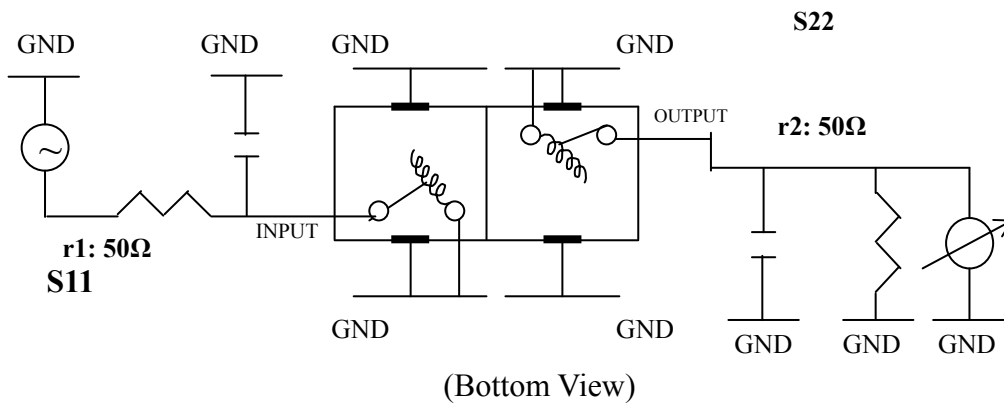
(5) Temperature Condition:

Operating Temperature	0°C ~ +60°C
Storage Temperature	-20°C ~ +70°C

(6) Input Power

	> 1Watt
--	---------

(7) Measuring Circuit: ※Easy to match Impedance S11/S22 50Ω by parallel with about (- -).



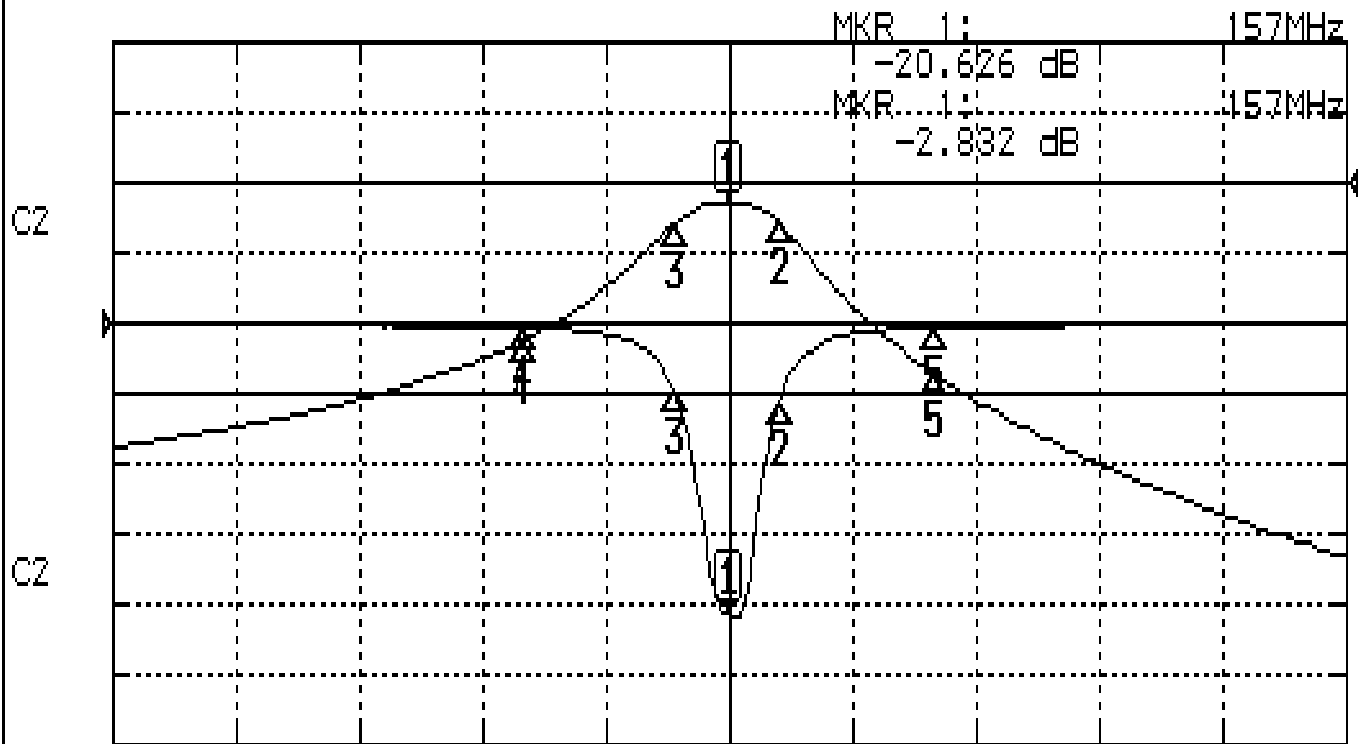
Approval C.Y.Chang	Supervisor C.K.Chang	Designer C.H.Yeh	Aperture size 7H2S(4*5.35)(5.40) 7H024LB4
-----------------------	-------------------------	---------------------	---

TEMWELL CORPORATION

Performance-TD62714B-157M

201709035CD

CH1 S11 LOG MAG REF 0.000 dB 5.000 dB/
CH2 S21 LOG MAG REF 0.000 dB 10.000 dB/



CENTER 157MHz

[10.00 dBm]

SPAN 60MHz

CH1 MARKER LIST

1:	157.000MHz	-20.626	dB
2:	159.500MHz	-5.497	dB
3:	154.300MHz	-4.636	dB
4:	147.000MHz	-0.277	dB
5:	167.000MHz	-0.273	dB

CH2 MARKER LIST

1:	157.000MHz	-2.832	dB
2:	159.500MHz	-1.046	dB
3:	154.300MHz	-1.048	dB
4:	147.000MHz	-22.330	dB
5:	167.000MHz	-27.262	dB