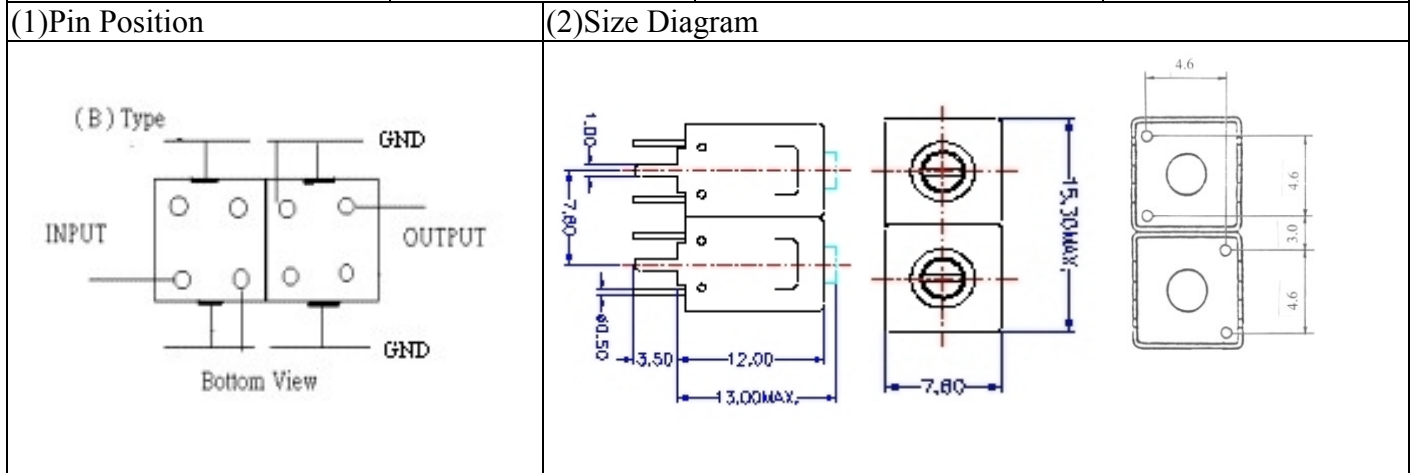


VHF UHF Helical Filter Specification Sheet

Customer Name		Temwell's Part No.	TD62464B-160M
Approval No. /dated	201205044CD	Temwell's Print Name.	62464B 160M
Work Instruction No.	201205044CD	Date	May.15.2012



(3) Electric Characteristic

Item	Specify	Performance	
Center Freq.(Fo) +/- 0.5 %	160 MHz	160 MHz	
Insertion Loss	Typ. 2.0 dB	0.76 dB	
-3 dB Bandwidth	Typ. 20 MHz	22.7 MHz	
Sensitivity (Attenuation)	Fo - 50 MHz	Typ. 15 dBc	18 dBc
	Fo + 50 MHz	Typ. 20 dBc	27 dBc
	Fo - ()MHz	Typ. dBc	dBc
	Fo +()MHz	Typ. dBc	dBc
Return Loss	Min. 12 dB	26.4 dB	
Ripple	< 1 dB	dB	
Impedance	In / Out : 50 Ω	In / Out : 50 Ω	

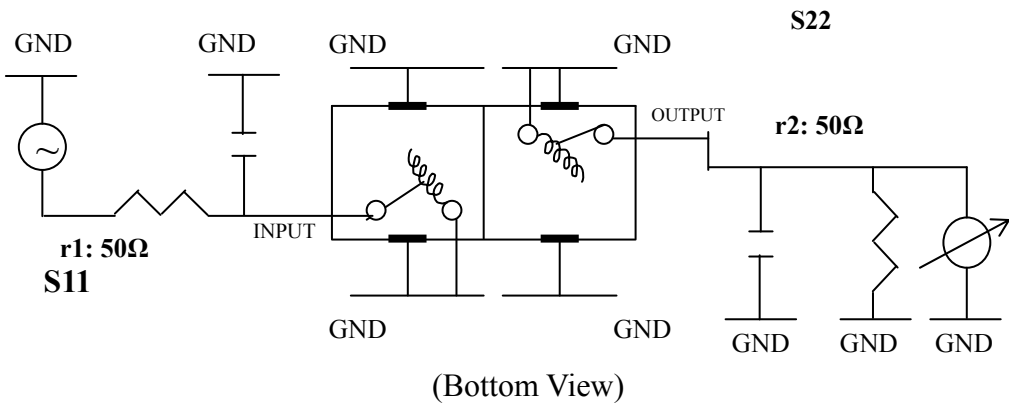
(4) Torque for Tuning Screw >60gf · cm

(5) Temperature Condition:

Operating Temperature	0°C ~ +60°C
Storage Temperature	-20°C ~ +70°C

(6) Input Power > 1Watt

(7) Measuring Circuit: ※Easy to match Impedance S11/S22 50Ω by parallel with about (--)

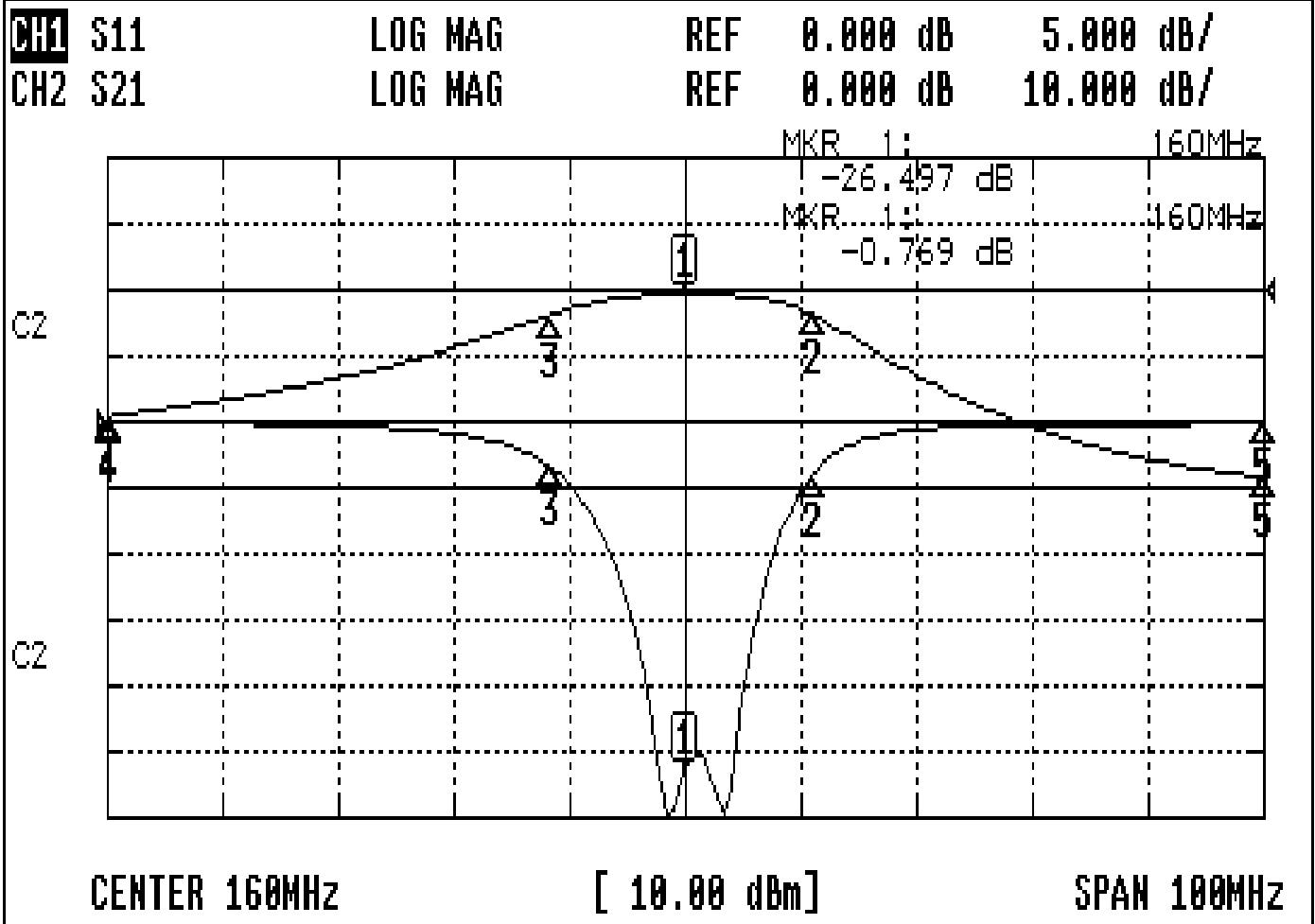


Approval	Supervisor	Designer	Aperture size
C.Y.Chang	C.K.Chang	M.Y.Kang	7H2S(4*5.5)(5.58) 7H024LB6.5

TEMWELL CORPORATION

Performance-TD62464B-160M

201205044CD



CH1 MARKER LIST

Marker	Frequency (MHz)	Magnitude (dB)
1	160.000	-26.497
2	171.000	-14.028
3	148.333	-3.394
4	110.000	-0.073
5	210.000	-0.116

CH2 MARKER LIST

Marker	Frequency (MHz)	Magnitude (dB)
1	160.000	-0.769
2	171.000	-3.745
3	148.333	-3.722
4	110.000	-19.184
5	210.000	-28.364