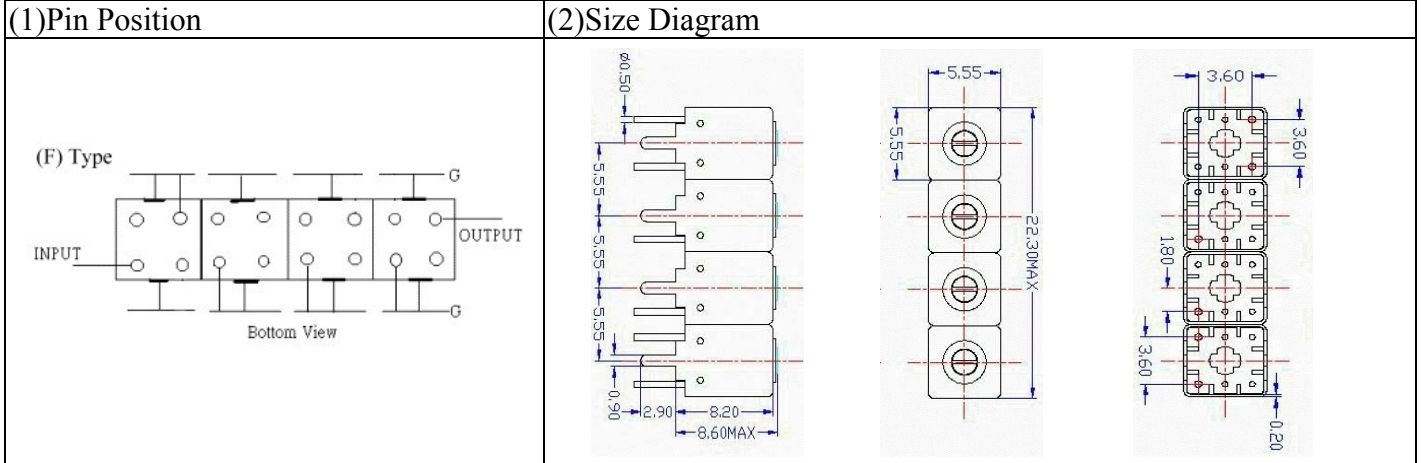


# VHF UHF Helical Filter Specification Sheet

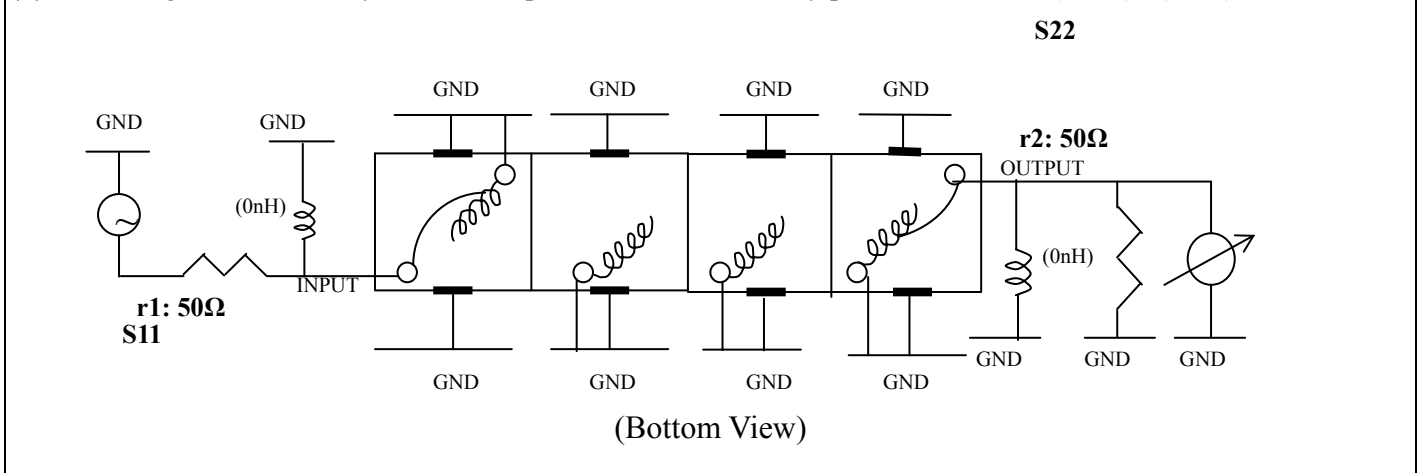
Customer Name		Temwell's Part No.	K4RF-880M-20M
Approval No. /dated	0905062CD	Temwell,s print name	K4RF 880M
Work Instruction No.	200905062CD	Date	Jun.05.2009



(3) Electric Charasteric

Item	Specify	Performance	
Center Freq.(Fo) +/- 0.5 %	880 MHz	880 MHz	
Insertion Loss	Typ. 4.5 dB	3.71 dB	
-3 dB Bandwidth	Typ. 20 MHz	26.2 MHz	
Sensitivity (Attenuation)	Fo - 50 MHz	Typ. 47 dBc	50 dBc
	Fo + 50 MHz	Typ. 39 dBc	42 dBc
	Fo - ( )MHz	Typ. dBc	dBc
	Fo +( )MHz	Typ. dBc	dBc
Return Loss	Min. 12 dB	20.3 dB	
Ripple	< 1 dB	dB	
Impedance	In / Out : 50 Ω	In / Out : 50 Ω	
(4) Torque for Tuning Screw	> 60gf • cm		
(5) Temperature Condition:			
Operating Temperature	0°C ~ +60°C		
Storage Temperature	-20°C ~ +70°C		
(6) Input Power	> 0.5Watt		

(7) Measuring Circuit: ※Easy to match Impedance S11/S22 50Ω by parallel with about ( 0 nH ) / ( 0 nH ).



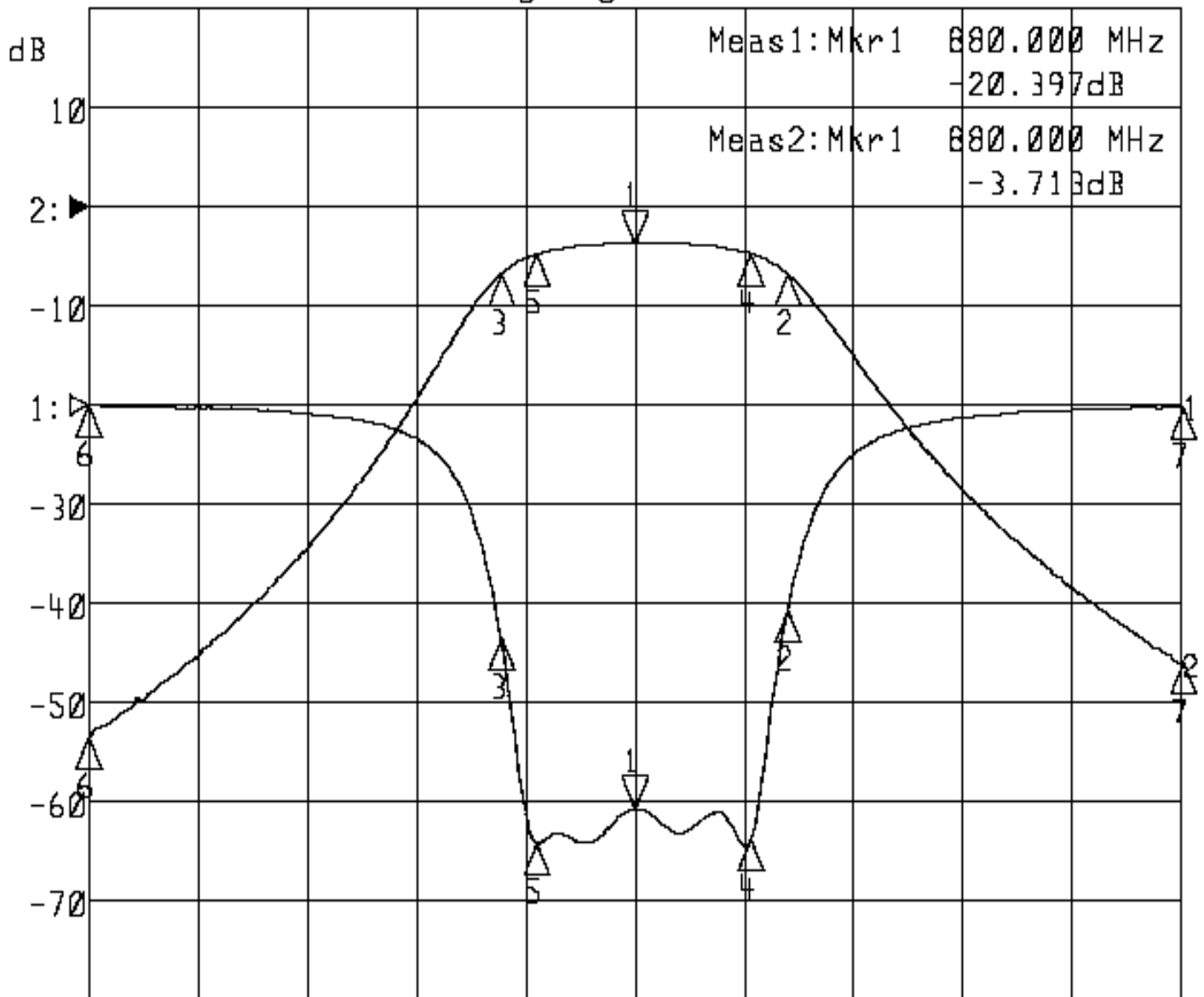
Approval	Supervisor	Designer	Aperture size
C.Y.Chang	C.K.Chang	J.F.Lin	5W4(3.8*3.7)(3.79) 5HW024LB3

TEMWELL CORPORATION

# Performance-K4RF-880M-20M

## 200905062CD

►1:S11 Refl Port1 Log Mag 5.0 dB/ Ref 0.00 dB C  
►2:S21 Fwd Trans Log Mag 10.0 dB/ Ref 0.00 dB C



Center 880.000 MHz

Span 100.000 MHz

1:Mkr (MHz)	dB	2:Mkr (MHz)	dB
1> 880.0000	-20.397	1> 880.0000	-3.713
2: 893.9667	-10.338	2: 893.9667	-6.723
3: 867.7333	-11.689	3: 867.7333	-6.768
4: 890.6667	-21.834	4: 890.6667	-4.718
5: 870.9667	-22.139	5: 870.9667	-4.785
6: 830.0000	-0.049	6: 830.0000	-53.623
7: 930.0000	-0.068	7: 930.0000	-46.085