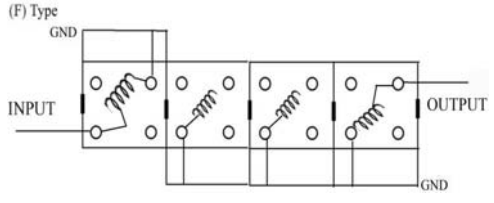
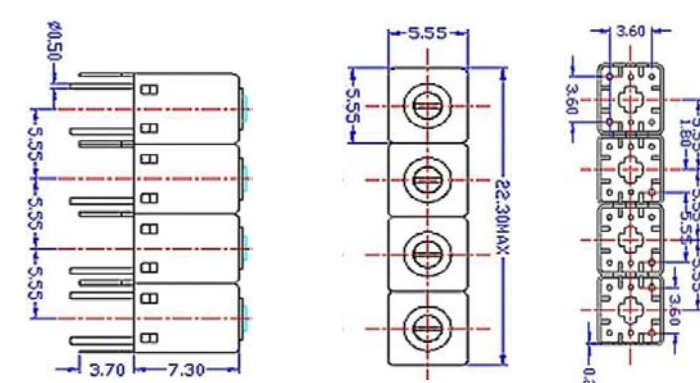


VHF UHF Helical Filter Specification Sheet

Customer Name		Temwell's Part No.	K4RF-800M-20M
Approval No. /dated	0905061 CD	Temwell's Print Name.	K4RF 800M
Work Instruction No.	200905061CD	Date	Jun.04.2009

<p>(1) Pin Position</p>  <p>(Bottom View)</p>	<p>(2) Size Diagram</p> 
--	--

(3) Electric Characteristic

Item	Specify	Performance
Center Freq.(Fo) +/- 0.5 %	800 MHz	800 MHz
Insertion Loss	Typ. 4.5 dB	3.78 dB
-3 dB Bandwidth	Typ. 20 MHz	24.2 MHz
Sensitivity (Attenuation)	Fo - 50 MHz	Typ. 46 dBc
	Fo + 50 MHz	Typ. 40 dBc
	Fo - ()MHz	Typ. dBc
	Fo + ()MHz	Typ. dBc
Return Loss	Min. 12 dB	25.8 dB
Ripple	< 1 dB	dB
Impedance	In / Out : 50 Ω	In / Out : 50 Ω

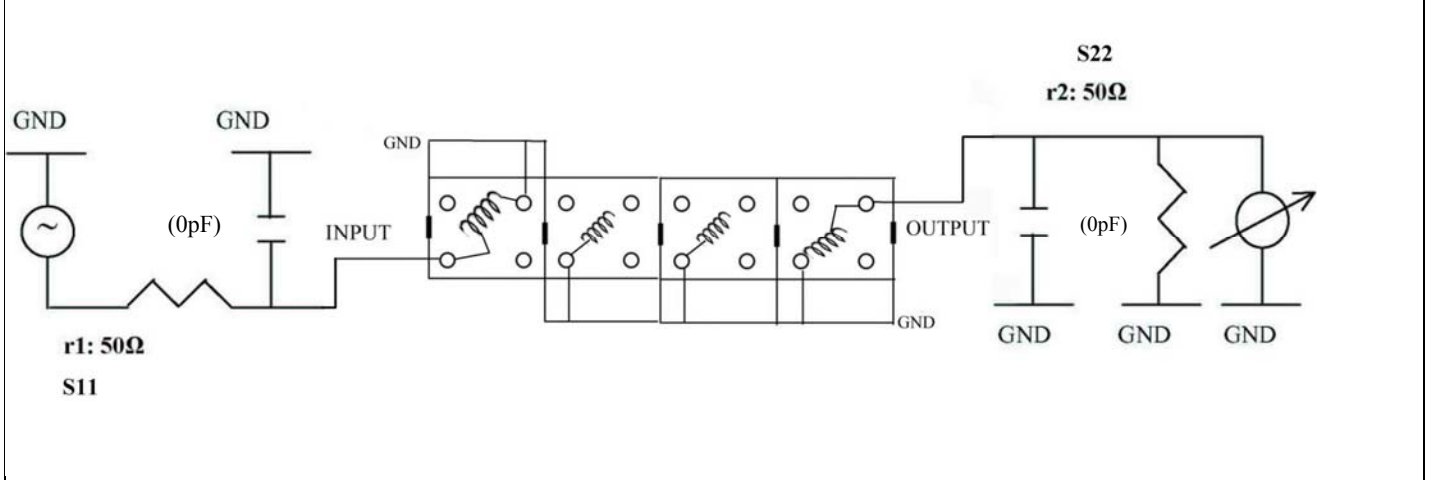
(4) Torque for Tuning Screw > 60gf • cm

(5) Temperature Condition:

Operating Temperature	-30°C ~ +70°C
Storage Temperature	-30°C ~ +80°C

(6) Input Power > 0.5Watt

(7) Measuring Circuit: ※Easy to match Impedance S11/S22 50Ω by parallel with about(0pF) / (0pF).



(Bottom View)

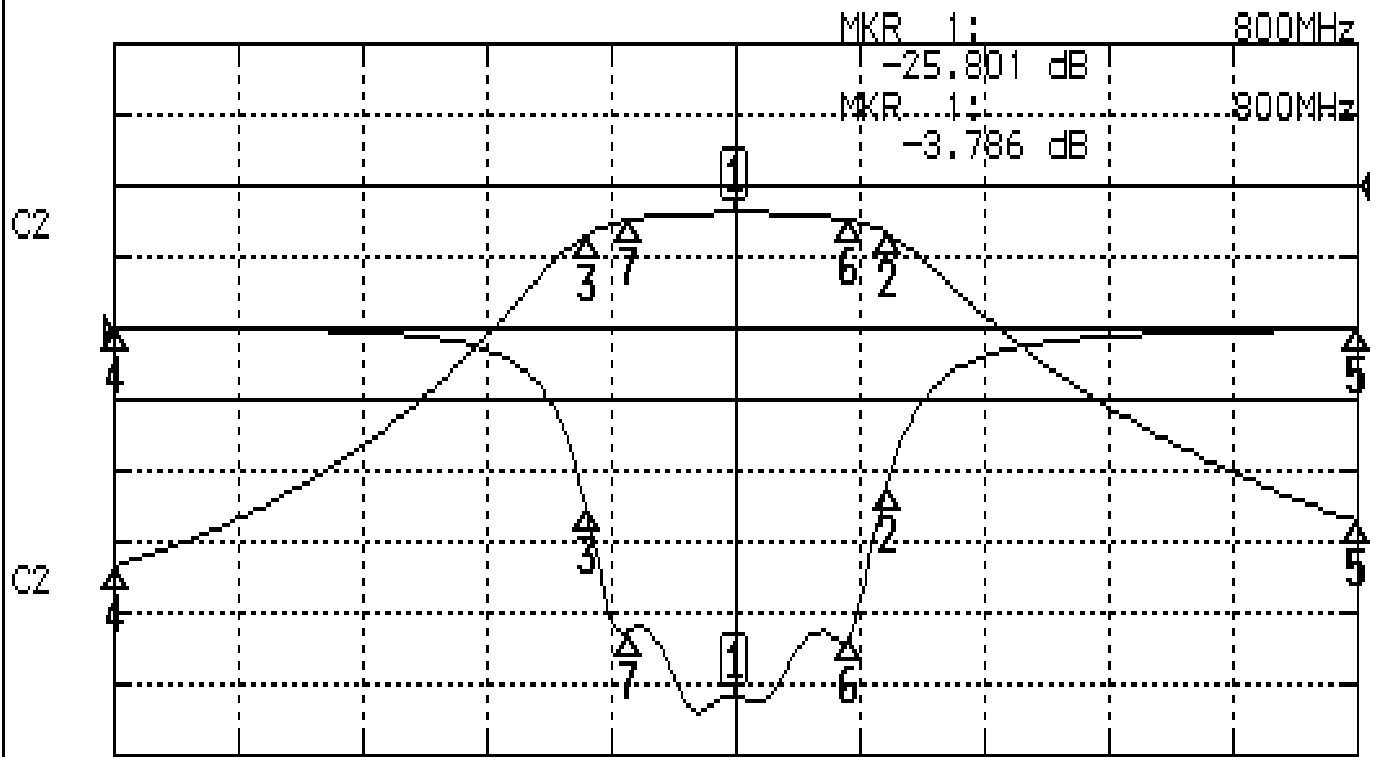
Approval	Supervisor	Designer	Aperture size
C.Y.Chang	C.K.Chang	W.W.Wang	5R4(3.8*3.7)(3.71) 5HW024LB3

TEMWELL CORPORATION

Performance-K4RF-800M-20M

200905061CD

CH1 S11 LOG MAG REF 0.000 dB 5.000 dB/
CH2 S21 LOG MAG REF 0.000 dB 10.000 dB/



CENTER 800MHz

[10.00 dBm]

SPAN 100MHz

CH1 MARKER LIST

Marker	Frequency (MHz)	Magnitude (dB)
1	800.000	-25.801
2	812.250	-10.929
3	788.083	-12.599
4	750.000	0.120
5	850.000	-0.044
6	809.166	-21.853
7	791.416	-21.173
8		
9		
10		

CH2 MARKER LIST

Marker	Frequency (MHz)	Magnitude (dB)
1	800.000	-3.786
2	812.250	-6.700
3	788.083	-6.786
4	750.000	-5.316
5	850.000	-4.777
6	809.166	-4.763
7	791.416	-4.786
8		
9		
10		