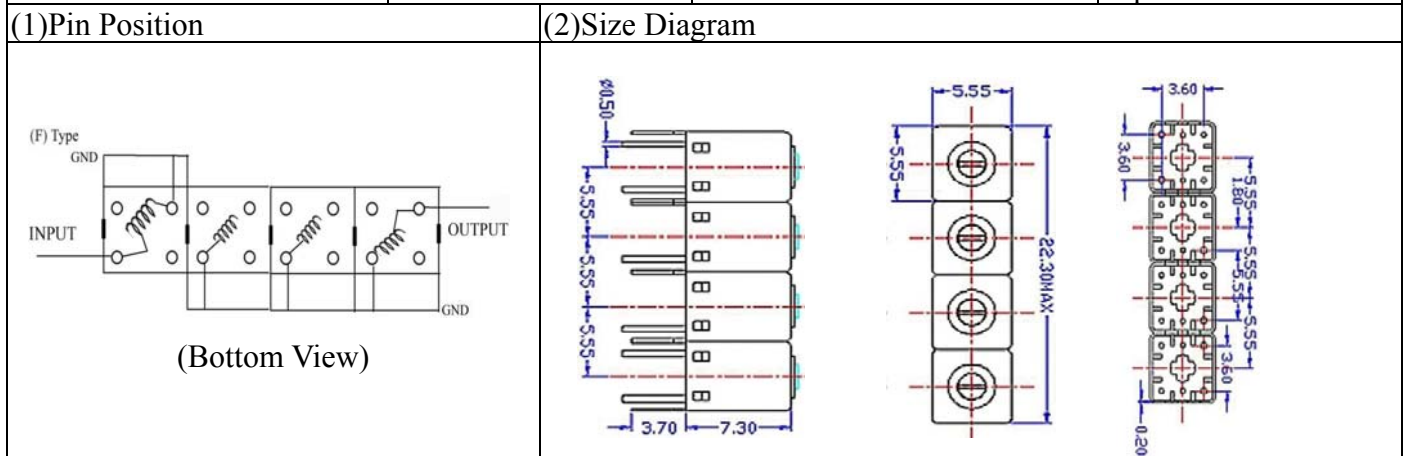


# VHF UHF Helical Filter Specification Sheet

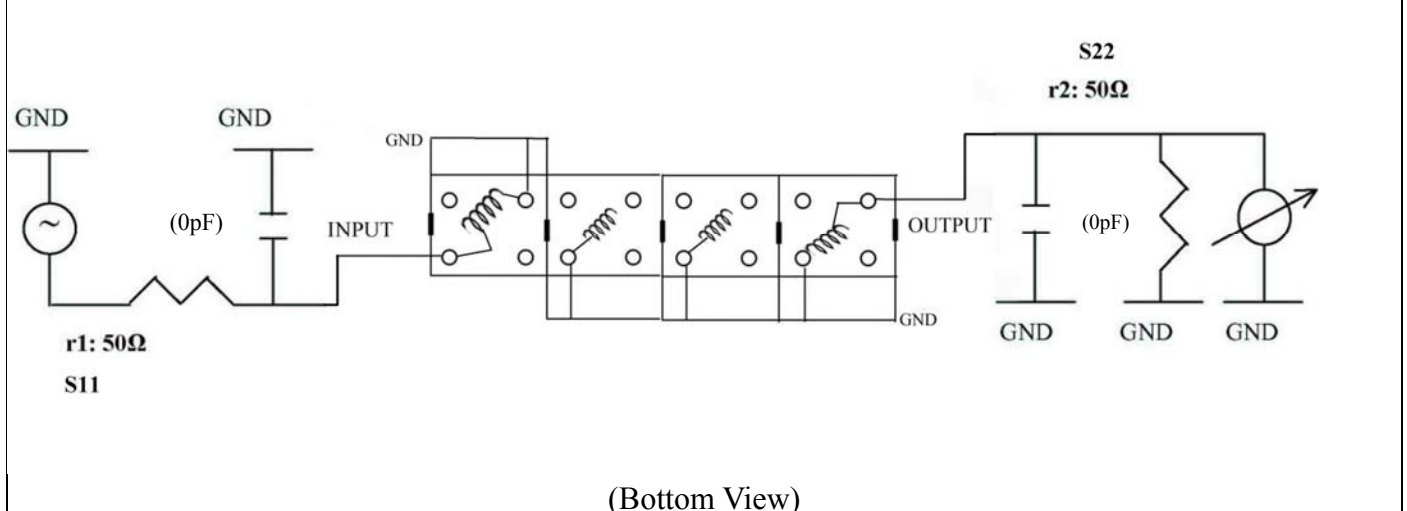
Customer Name		Temwell's Part No.	K4RF-320M-20M
Approval No. /dated	0908117CD	Temwell's Print Name.	K4RF 320M
Work Instruction No.	200908117CD	Date	Sep.08.2009



(3) Electric Chararistic					
Item		Specify		Performance	
Center Freq.(Fo) +/- 0.5 %		320	MHz	320	MHz
Insertion Loss		Typ.	3.5 dB	2.59	dB
-3 dB Bandwidth		Typ.	20 MHz	23.3	MHz
Sensitivity (Attenuation)	Fo - 50 MHz	Typ.	58 dBc	62	dBc
	Fo + 50 MHz	Typ.	45 dBc	49	dBc
	Fo - ( )MHz	Typ.	dBc		dBc
	Fo +( )MHz	Typ.	dBc		dBc
Return Loss		Min.	12 dB	20.8	dB
Ripple		< 1 dB		dB	
Impedance		In / Out : 50 Ω		In / Out : 50 Ω	
(4) Torque for Tuning Screw		> 60gf • cm			

(5) Temperature Condition:	
Operating Temperature	0°C ~ +60°C
Storage Temperature	-20°C ~ +70°C
(6) Input Power	> 0.5 Watt

(7) Measuring Circuit: ※Easy to match Impedance S11/S22 50Ω by parallel with about( 0pF) / ( 0pF).

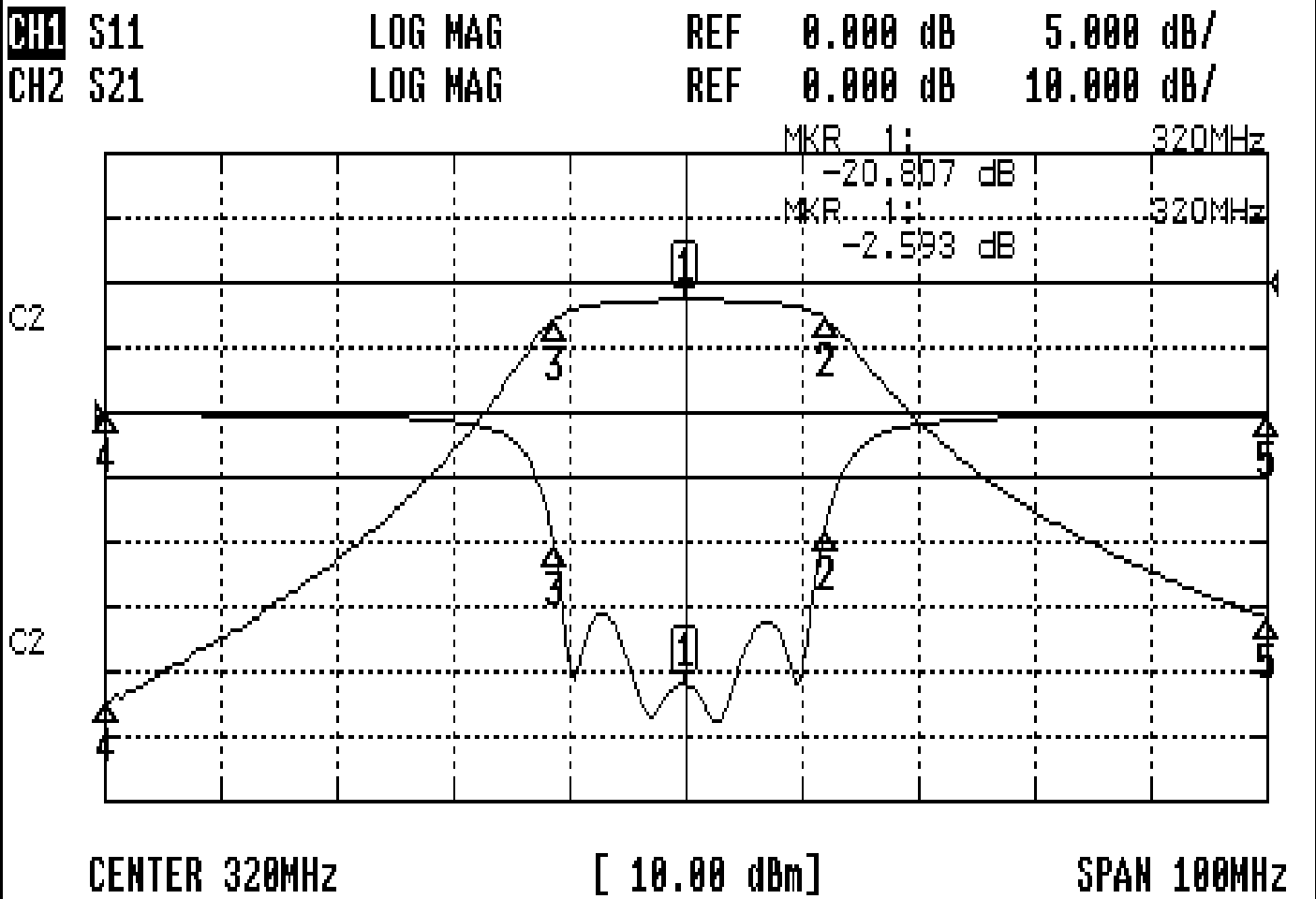


Approval	Supervisor	Designer	Aperture size
C.Y.Chang	C.K.Chang	Y.H.Yeh	5R4S(3.8*4.2)(4.30) 5HW020RB3.5

TEMWELL CORPORATION

# Performance-K4RF-320M-20M

## 200908117CD



CH1 MARKER LIST			
1:	320.000MHz	-20.812	dB
2:	332.040MHz	-8.884	dB
3:	308.740MHz	-10.473	dB
4:	270.000MHz	-0.105	dB
5:	370.000MHz	-0.166	dB
6:			
7:			
8:			
9:			
10:			

CH2 MARKER LIST			
1:	320.000MHz	-2.593	dB
2:	332.040MHz	-8.884	dB
3:	308.740MHz	-10.473	dB
4:	270.000MHz	-0.105	dB
5:	370.000MHz	-0.166	dB
6:			
7:			
8:			
9:			
10:			