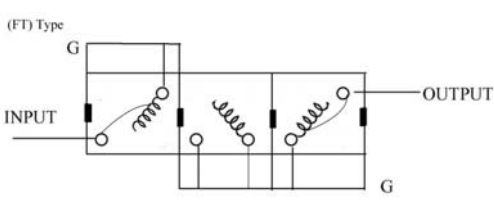
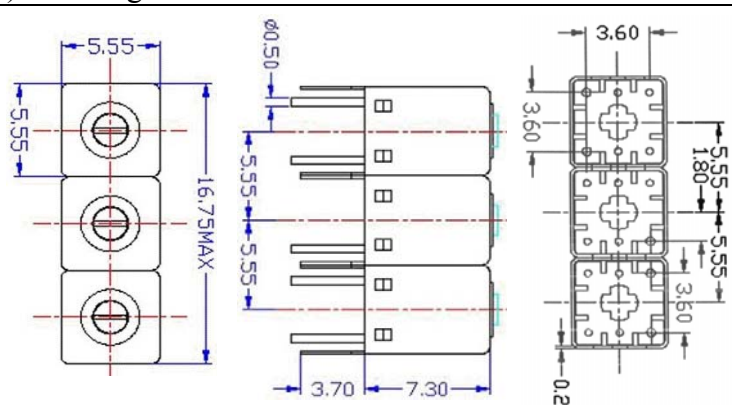


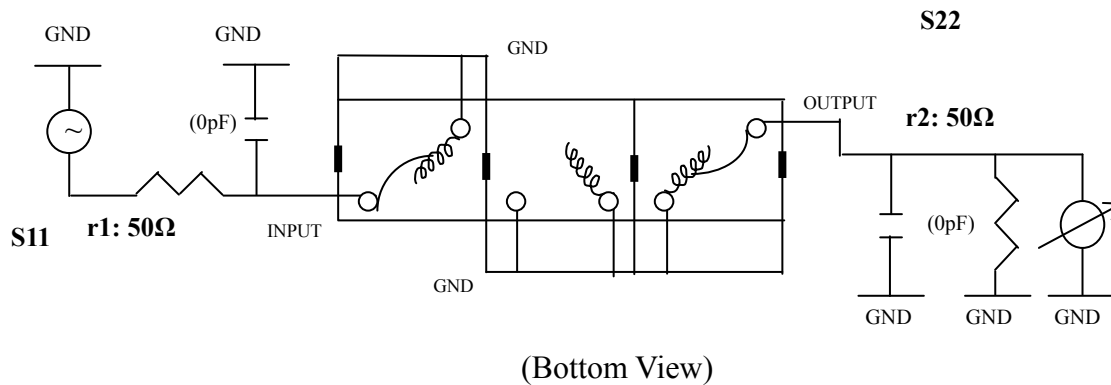
VHF UHF Helical Filter Specification Sheet

Customer Name		Temwell's Part No.	K3RFT-435M-10M
Approval No. /dated	0909065CD	Temwell's Print Name	K3RFT 435M
Work Instruction No.	200909065CD	Date	Oct.16.2009

(1) Pin Position	(2) Size Diagram
 <p>(FT) Type</p> <p>INPUT</p> <p>OUTPUT</p> <p>G</p> <p>G</p> <p>(Bottom View)</p>	

(3) Electric Characteristic			
Item		Specify	Performance
Center Freq.(Fo) +/- 0.5 %		435 MHz	435 MHz
Insertion Loss		Typ. 4.5 dB	3.48 dB
-3 dB Bandwidth		Typ. 10 MHz	13.4 MHz
Sensitivity (Attenuation)	Fo - 50 MHz	Typ. 32 dBc	51 dBc
	Fo + 50 MHz	Typ. 30 dBc	47 dBc
	Fo - ()MHz	Typ. dBc	dBc
	Fo +()MHz	Typ. dBc	dBc
Return Loss		Min. 12 dB	26.3 dB
Ripple		< 1 dB	dB
Impedance		In / Out : 50 Ω	In / Out : 50 Ω
(4) Torque for Tuning Screw		> 60gf • cm	
(5) Temperature Condition:			
Operating Temperature		0°C ~ +60°C	
Storage Temperature		-20°C ~ +70°C	
(6) Input Power		> 0.5Watt	

(7) Measuring Circuit: ※Easy to match Impedance S11/S22 50Ω by parallel with about (0pF) / (0pF).



Approval	Supervisor	Designer	Aperture size
C.Y.Chang	C.K.Chang	L.T.I	5R3(3.8*3.7)(3.74) (5HW024RB3)

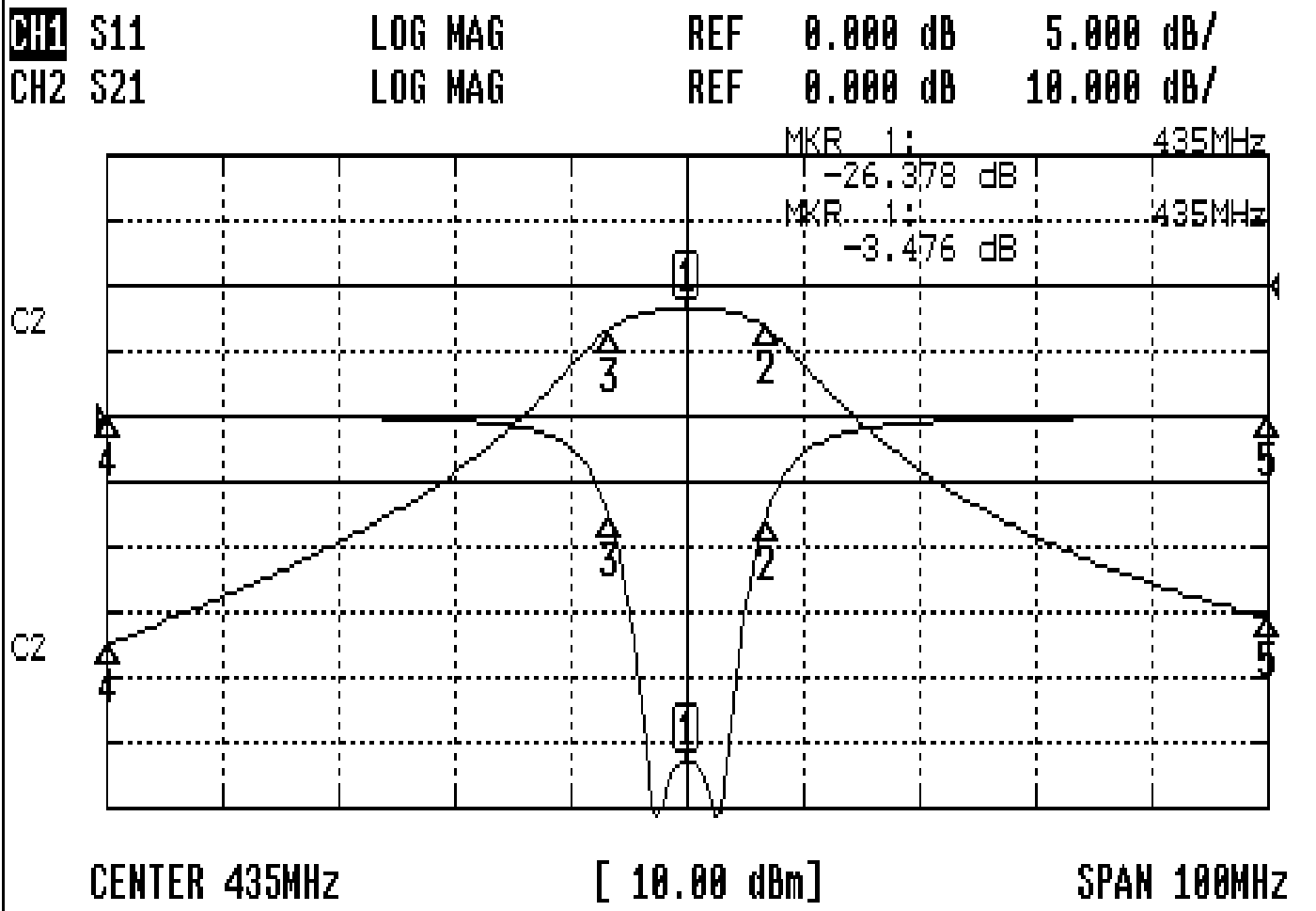
TEMWELL CORPORATION

TEMWELL

Form10-5R3FT Vision D RP(W.W.W)

Performance-K3RFT-435M-10M

200909065CD



CH1 MARKER LIST

1	435.000MHz	-26.378	dB
2	441.833MHz	-7.941	dB
3	428.416MHz	-7.807	dB
4	385.000MHz	-0.006	dB
5	485.000MHz	-0.004	dB

CH2 MARKER LIST

1	435.000MHz	-3.482	dB
2	441.833MHz	-0.472	dB
3	428.416MHz	-0.458	dB
4	385.000MHz	-0.031	dB
5	485.000MHz	-0.897	dB