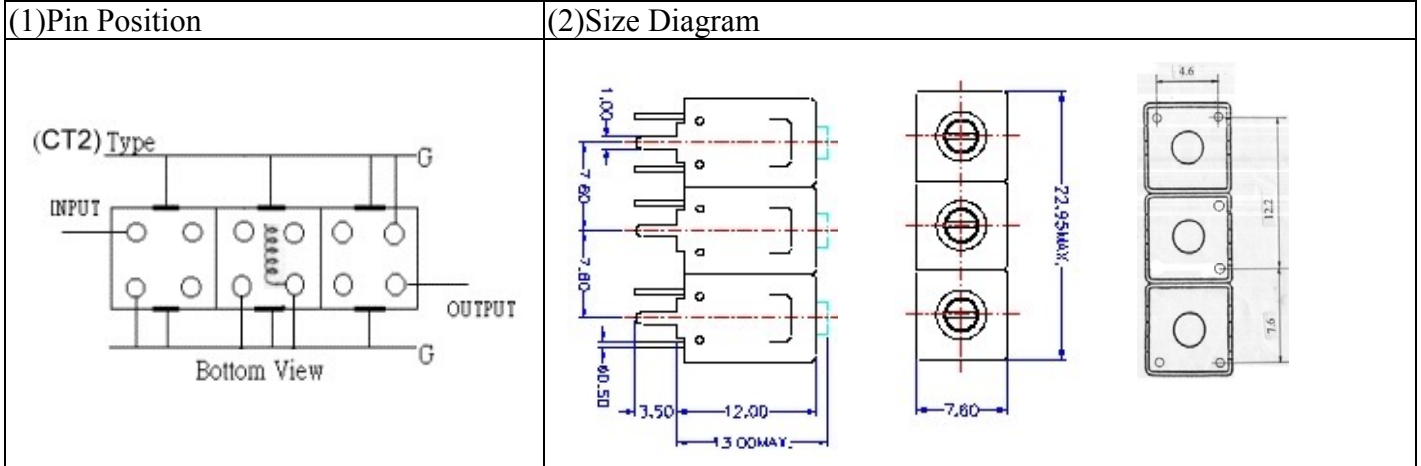


VHF UHF Helical Filter Specification Sheet

Customer Name		Temwell's Part No.	K3CT2-651M-10M
Approval No. /dated	0908090CD	Customer's Print Name	K3CT2 651M
Work Instruction No.	200908090CD	Date	Sep.18.2009



(3) Electric Characteristic

Item	Specify	Performance	
Center Freq.(Fo) +/- 0.5 %	651 MHz	651 MHz	
Insertion Loss	Typ. 4.5 dB	3.61 dB	
-3 dB Bandwidth	Typ. 10 MHz	12.8 MHz	
Sensitivity (Attenuation)	Fo -50 MHz	Typ. 40 dBc	57 dBc
	Fo +50MHz	Typ. 40 dBc	42 dBc
	Fo - ()MHz	Typ. dBc	dBc
	Fo +()MHz	Typ. dBc	dBc
Return Loss	Min. 12 dB	35.5 dB	
Ripple	< 1 dB	dB	
Impedance	In / Out : 50 Ω	In / Out : 50 Ω	
(4) Torque for Tuning Screw	> 100gf • cm		

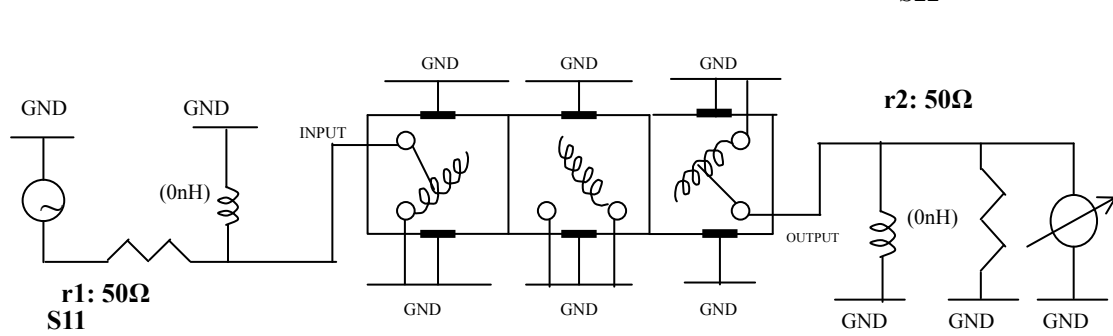
(5) Temperature Condition:

Operating Temperature	-0°C ~ +60°C
Storage Temperature	-20°C ~ +70°C

(6) Input Power

> 1 Watt

(7) Measuring Circuit: ※Easy to match Impedance S11/S22 50Ω by parallel with about(0 nH) / (0 nH).



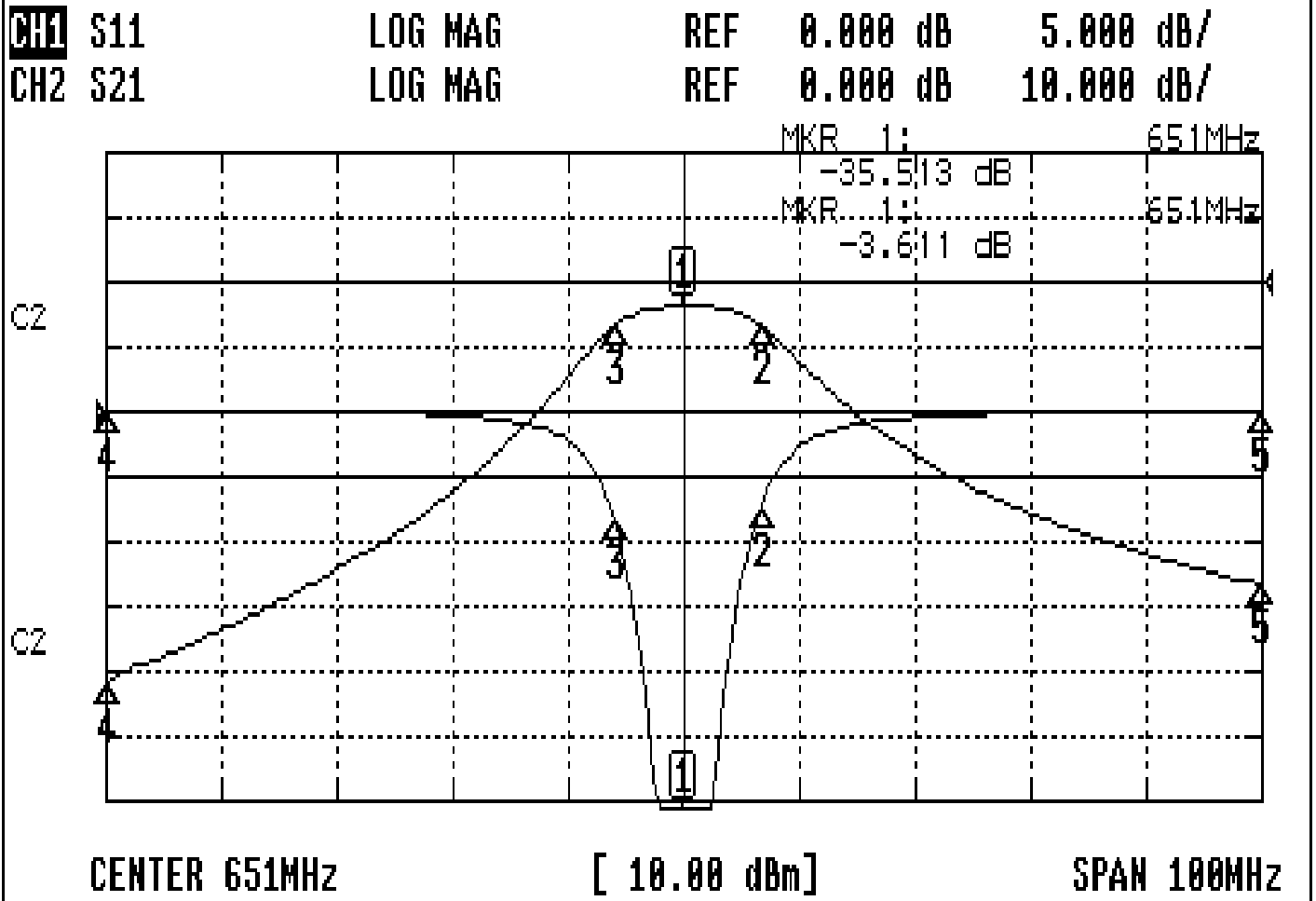
(Bottom View)

Approval	Supervisor	Designer	Aperture size
C.Y.Chang	C.K.Chang	L.T.I	7H3S(4*4.65)(4.69) 7H046RB4

TEMWELL CORPORATION

Performance-K3CT2-651M-10M

200908090CD



CH1 MARKER LIST

1:	651.000MHz	-35.513	dB
2:	657.833MHz	-7.078	dB
3:	645.000MHz	-8.183	dB
4:	601.000MHz	0.136	dB
5:	701.000MHz	0.140	dB
6:			
7:			
8:			
9:			
10:			

CH2 MARKER LIST

1:	651.000MHz	-3.611	dB
2:	657.833MHz	-6.795	dB
3:	645.000MHz	-6.723	dB
4:	601.000MHz	-61.501	dB
5:	701.000MHz	-46.562	dB
6:			
7:			
8:			
9:			
10:			