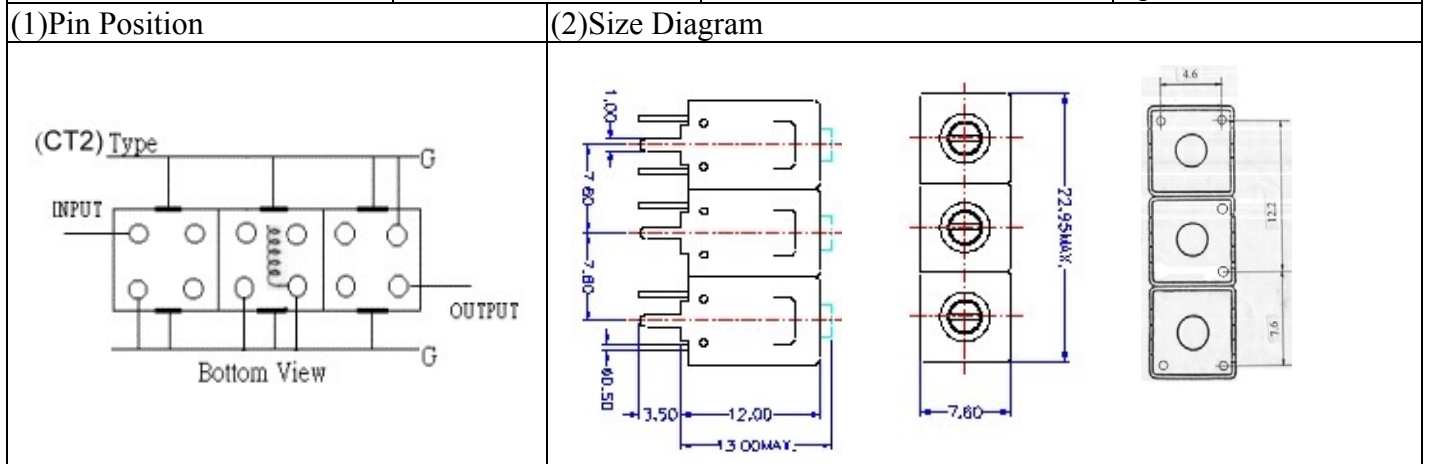


# VHF UHF Helical Filter Specification Sheet

Customer Name		Temwell's Part No.	K3CT2-600M-20M
Approval No. /dated	20404060DC	Customer's Part No.	
Work Instruction No.	20404060DC	Date	Apr.22.2004



(3) Electric Chararistic

Item	Specify	Performance	
Center Freq.(Fo) +/- 0.5 %	600 MHz	600 MHz	
Tunable Range: <input type="checkbox"/> Fo±5MHz <input checked="" type="checkbox"/> Fo±10MHz <input type="checkbox"/> Fo±15MHz	600±10 MHz	600±10 MHz	
Insertion Loss	Typ. 3.5 dB	1.98 dB	
-3 dB Bandwidth	Typ. 20 MHz	23 MHz	
Sensitivity (Attenuation)	Fo - 30 MHz	Typ. 16 dBc	19 dBc
	Fo + 30 MHz	Typ. 11 dBc	20 dBc
	Fo - ( )MHz	Typ. dBc	dBc
	Fo + ( )MHz	Typ. dBc	dBc
Return Loss	Min. 12 dB	20 dB	
Ripple	< 1 dB	dB	
Impedance	In / Out : 50 Ω	In / Out : 50 Ω	

(4) Torque for Tuning Screw > 60gf · cm

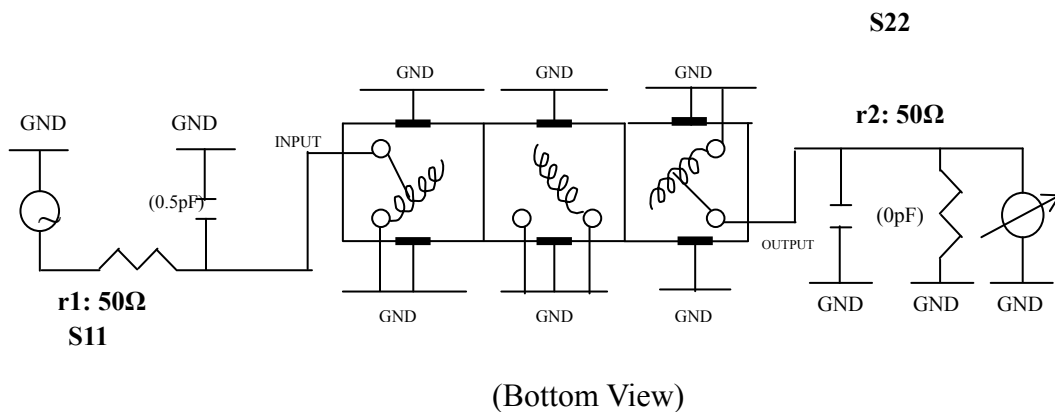
(5) Temperature Condition:

Operating Temperature 0°C ~ +60°C

Storage Temperature -20°C ~ +70°C

(6) Input Power > 1 Watt

(7) Measuring Circuit: ※Easy to match Impedance S11/S22 50Ω/ by parallel with about(0~1pF) / (0pF).



Approval	Supervisor	Designer	Aperture size
	C.S.Chang	P.H.Ching	7H3(4*6.5)(6.60)

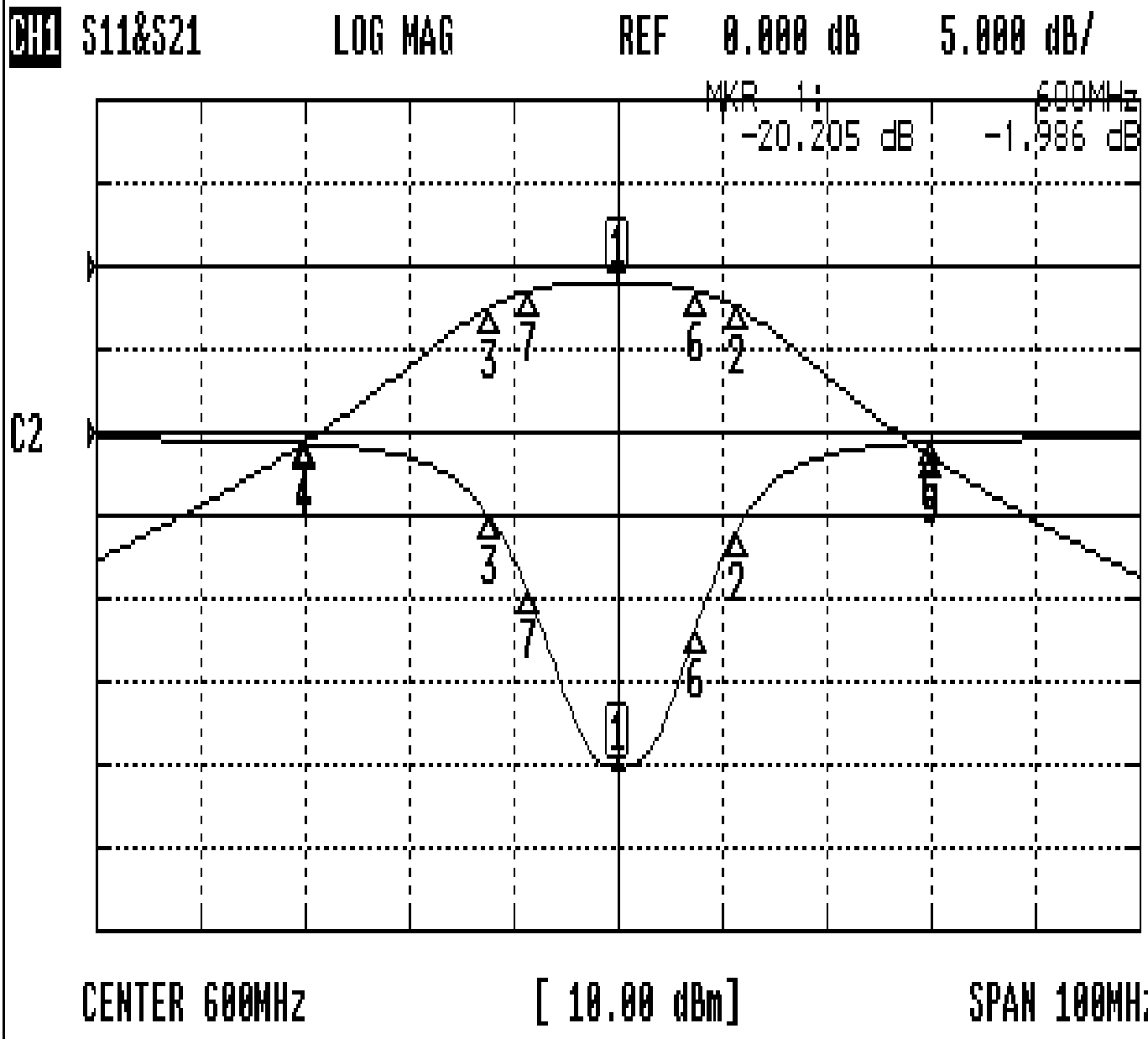
TEMWELL CORPORATION

TEMWELL

Form10-7H3CT2 Vision D

# Performance-K3CT2-600M-20M

20404060DC



## CH1 MARKER LIST

1:	600.000MHz	-20.205 dB	-1.986 dB
2:	611.416MHz	-5.812 dB	-4.933 dB
3:	587.666MHz	-5.029 dB	-4.947 dB
4:	570.000MHz	-0.659 dB	-21.160 dB
5:	630.000MHz	-0.567 dB	-22.832 dB
6:	607.583MHz	-11.645 dB	-2.947 dB
7:	591.416MHz	-9.587 dB	-2.973 dB