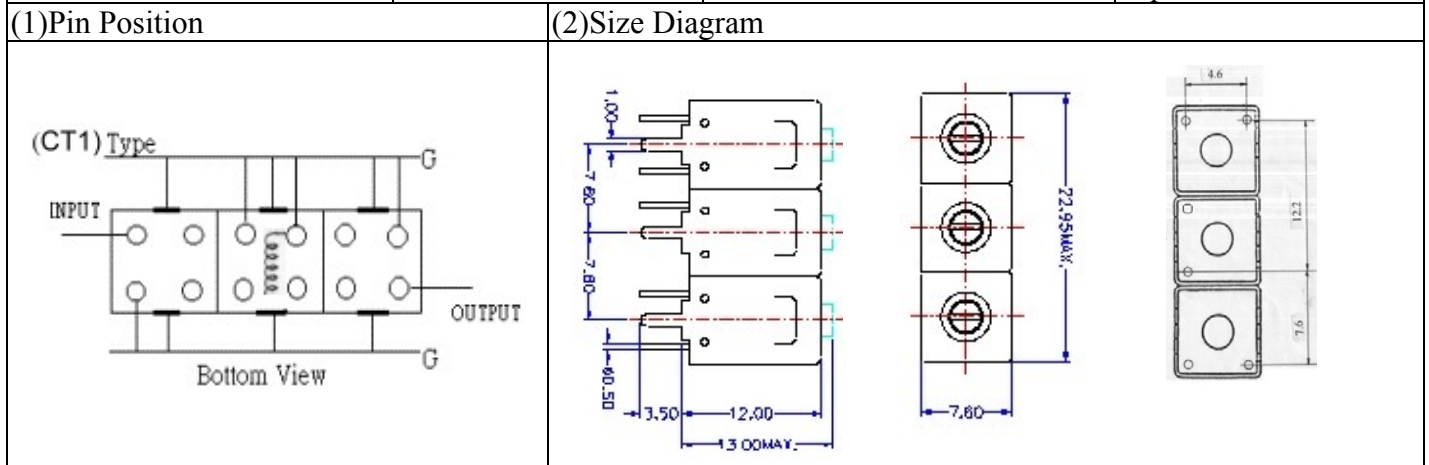


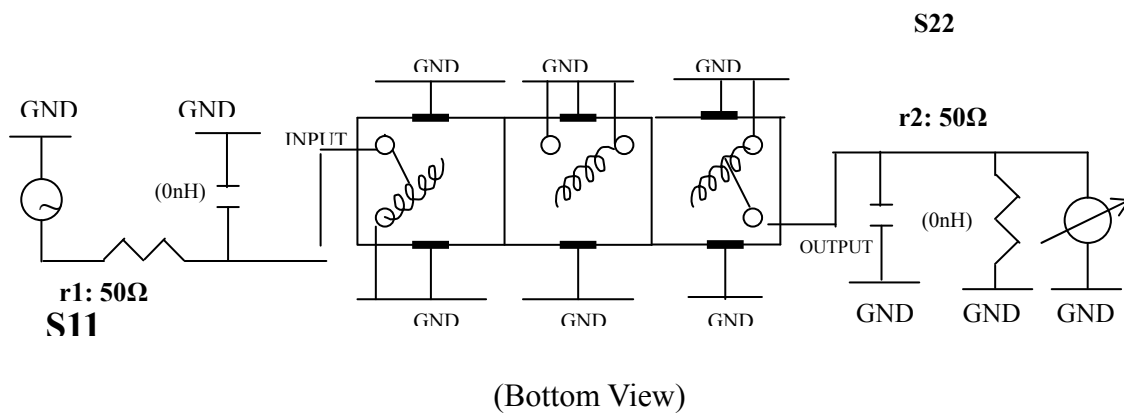
# VHF UHF Helical Filter Specification Sheet

Customer Name		Temwell's Part No.	K3CT1-960M-12M
Approval No. /dated	0908097CD	Temwell's print name.	K3CT1 960M
Work Instruction No.	200908097CD	Date	Sep.25.2009



(3) Electric Characteristic			
Item		Specify	Performance
Center Freq.(Fo) +/- 0.5 %		960 MHz	960 MHz
Insertion Loss		Typ. 5.0 dB	3.34 dB
-3 dB Bandwidth		Typ. 12 MHz	17.0 MHz
Sensitivity (Attenuation)	Fo -(90) MHz	Typ. 55 dBc	66 dBc
	Fo +(90)MHz	Typ. 45 dBc	50 dBc
	Fo -( )MHz	Typ. dBc	dBc
	Fo +( )MHz	Typ. dBc	dBc
Return Loss		Min. 12 dB	30.2 dB
Ripple		< 1 dB	dB
Impedance		In / Out : 50 Ω	In / Out : 50 Ω
(4) Torque for Tuning Screw		>100gf • cm	
(5) Temperature Condition:			
Operating Temperature		-0°C ~ +60°C	
Storage Temperature		-20°C ~ +70°C	
(6) Input Power		> 1Watt	

(7) Measuring Circuit: ※Easy to match Impedance S11/S22 50Ω by parallel with about(0 nH) / (0 nH).

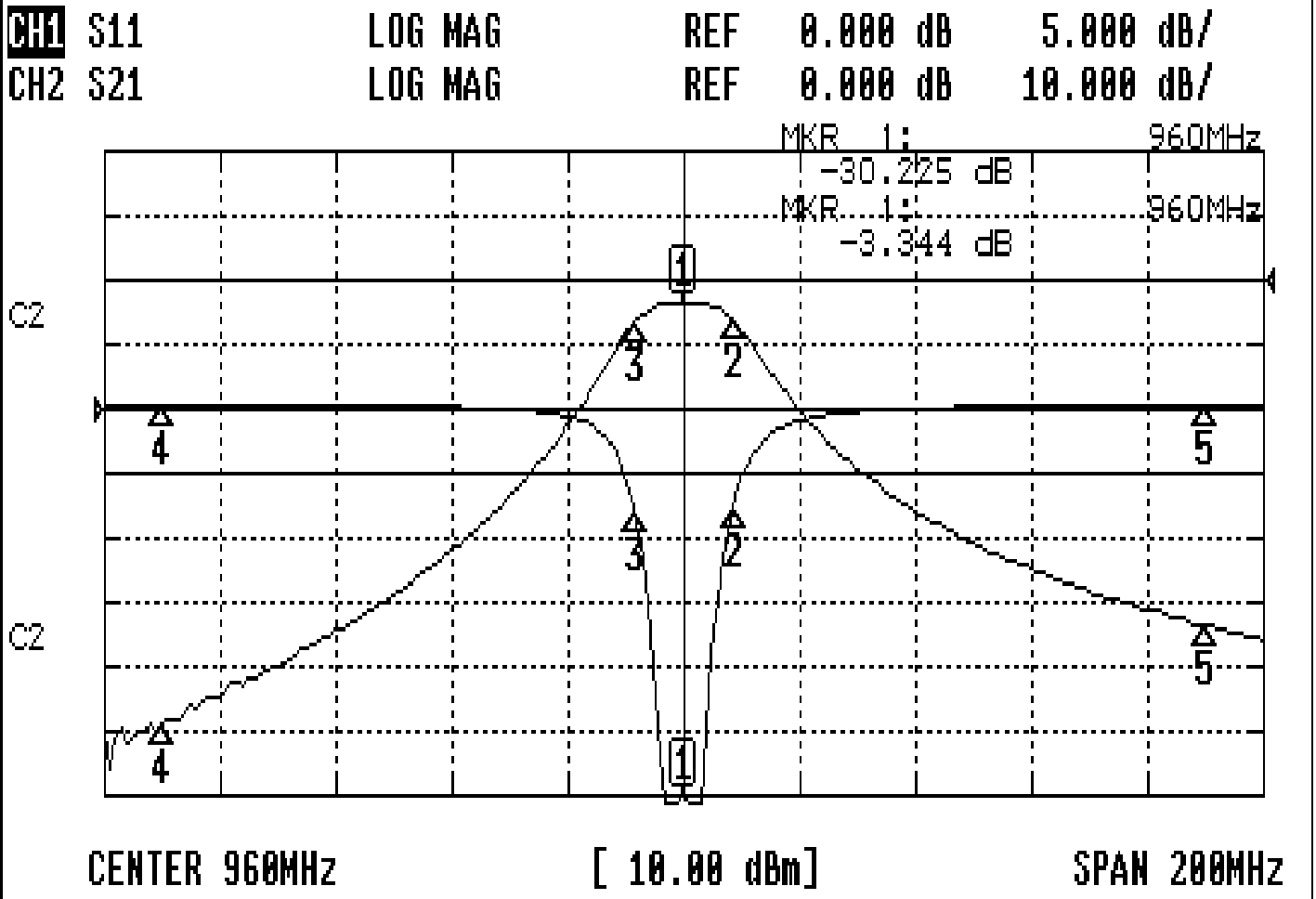


Approval	Supervisor	Designer	Aperture size
C.Y.Chang	C.K.Chang	L.T.I	7H3S(4*4.65)(4.66) 7H046RB4

TEMWELL CORPORATION

# Performance-K3CT1-960M-12M

## 200908097CD



CH1 MARKER LIST			
1::	960.000MHz	-30.225	dB
2::	968.666MHz	-7.571	dB
3::	951.666MHz	-8.084	dB
4::	870.000MHz	0.262	dB
5::	1.050 000GHz	0.353	dB

CH2 MARKER LIST			
1::	960.000MHz	-3.344	dB
2::	968.666MHz	-11.000	dB
3::	951.666MHz	-11.000	dB
4::	870.000MHz	0.000	dB
5::	1.050 000GHz	0.612	dB