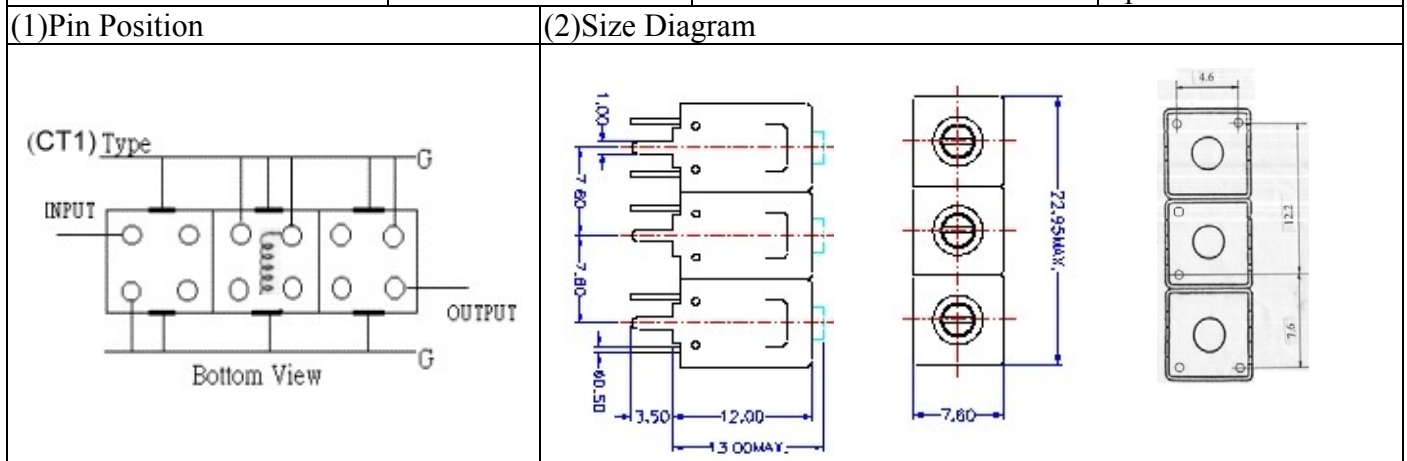


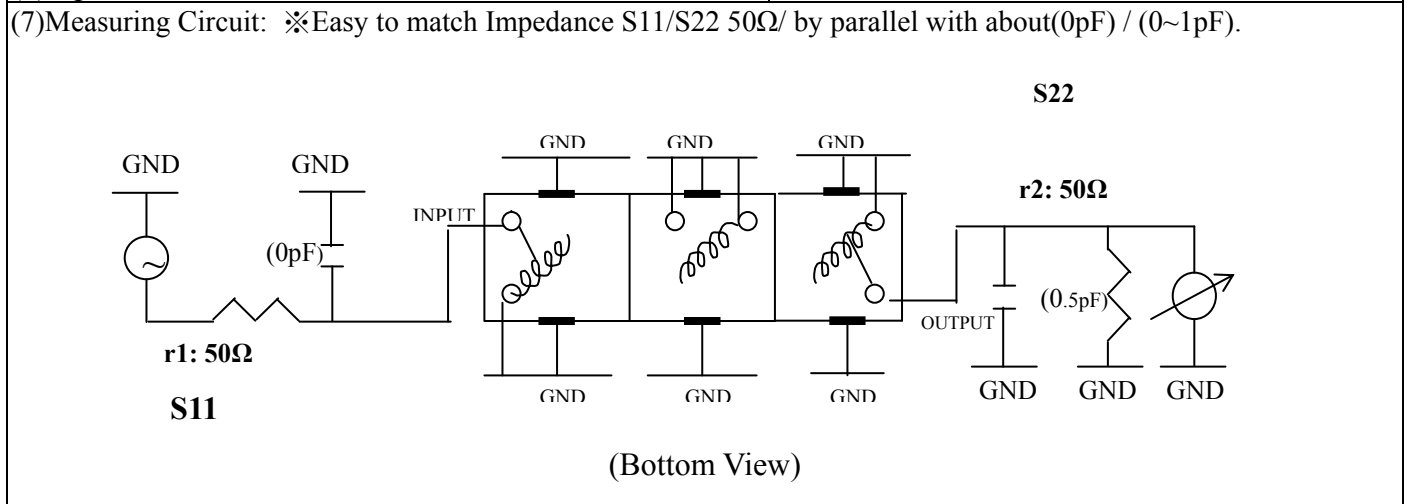
# VHF UHF Helical Filter Specification Sheet

Customer Name		Temwell's Part No.	K3CT1-947M-18M
Approval No. /dated	20404069DC	Customer's Part No.	
Work Instruction No.	20404069DC	Date	Apr.23.2004



(3) Electric Characteristic		Item	Specify	Performance
Center Freq.(Fo) +/- 0.5 %			947 MHz	947 MHz
Tunable Range: <input type="checkbox"/> Fo±5MHz <input checked="" type="checkbox"/> Fo±10MHz <input type="checkbox"/> Fo±15MHz			947±10 MHz	947±10 MHz
Insertion Loss		Typ.	4.5 dB	3.23 dB
-3 dB Bandwidth		Typ.	18 MHz	21 MHz
Sensitivity (Attenuation)	Fo - 50 MHz	Typ.	32 dBc	42 dBc
	Fo + 50 MHz	Typ.	25 dBc	31 dBc
	Fo - ( )MHz	Typ.	dBc	dBc
	Fo +( )MHz	Typ.	dBc	dBc
Return Loss		Min.	12 dB	25 dB
Ripple			< 1 dB	dB
Impedance			In / Out : 50 Ω	In / Out : 50 Ω
(4) Torque for Tuning Screw			> 60gf · cm	

(5) Temperature Condition:	
Operating Temperature	0°C ~ +60°C
Storage Temperature	-20°C ~ +70°C
(6) Input Power	> 1Watt



Approval	Supervisor	Designer	Aperture size
	C.S.Chang	P.H.Ching	7H3(4*4.65)(4.70)

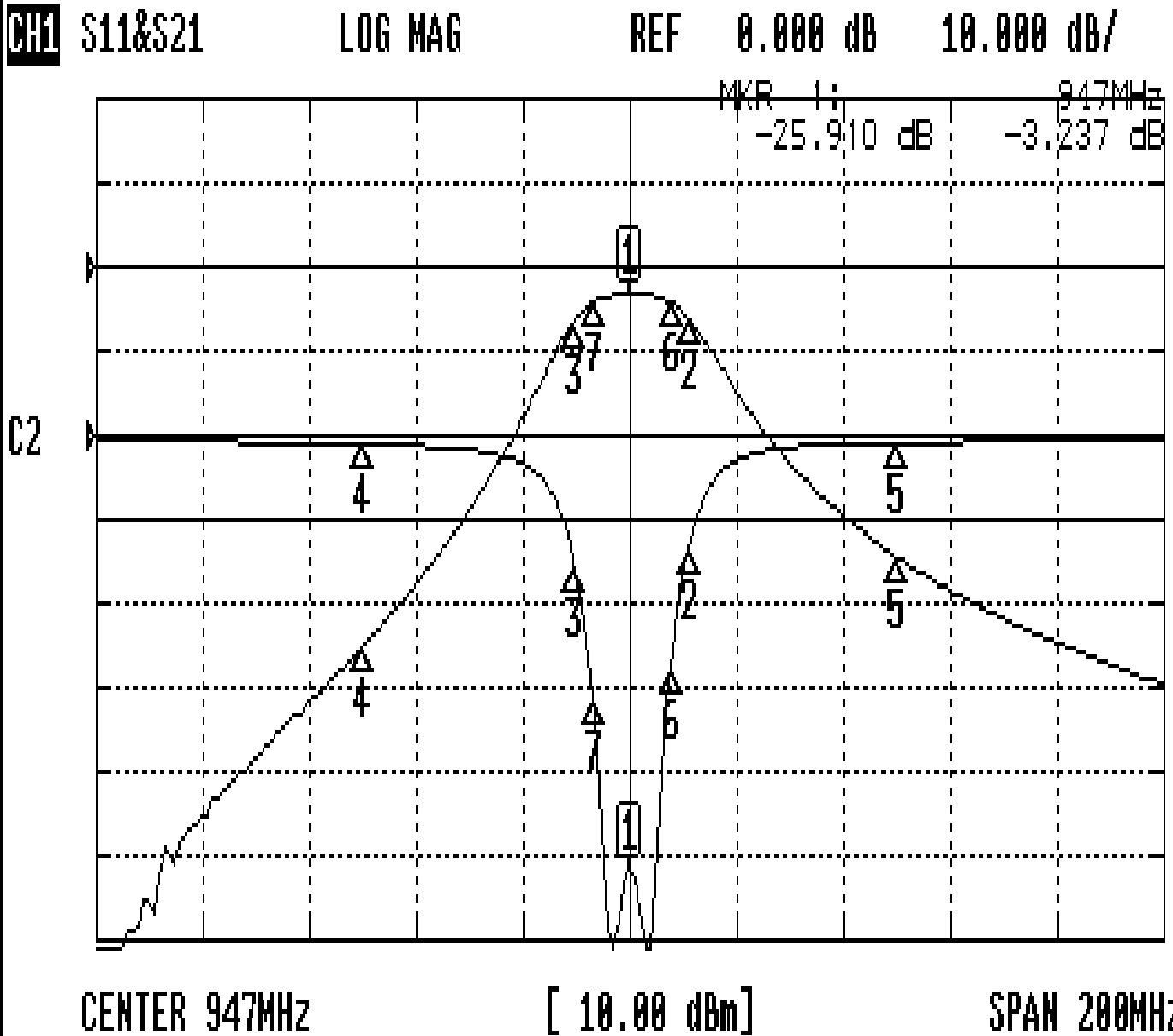
TEMWELL CORPORATION

TEMWELL

Form10-7H3CT1 Vision D

# Performance-K3CT1-947M-18M

20404069DC



## CH1 MARKER LIST

1:	947.000MHz	-25.910 dB	-3.237 dB
2:	958.166MHz	-6.527 dB	-6.210 dB
3:	936.833MHz	-7.811 dB	-6.214 dB
4:	897.000MHz	-0.527 dB	-45.053 dB
5:	997.000MHz	-0.422 dB	-34.498 dB
6:	954.666MHz	-13.941 dB	-4.217 dB
7:	940.166MHz	-15.771 dB	-4.215 dB