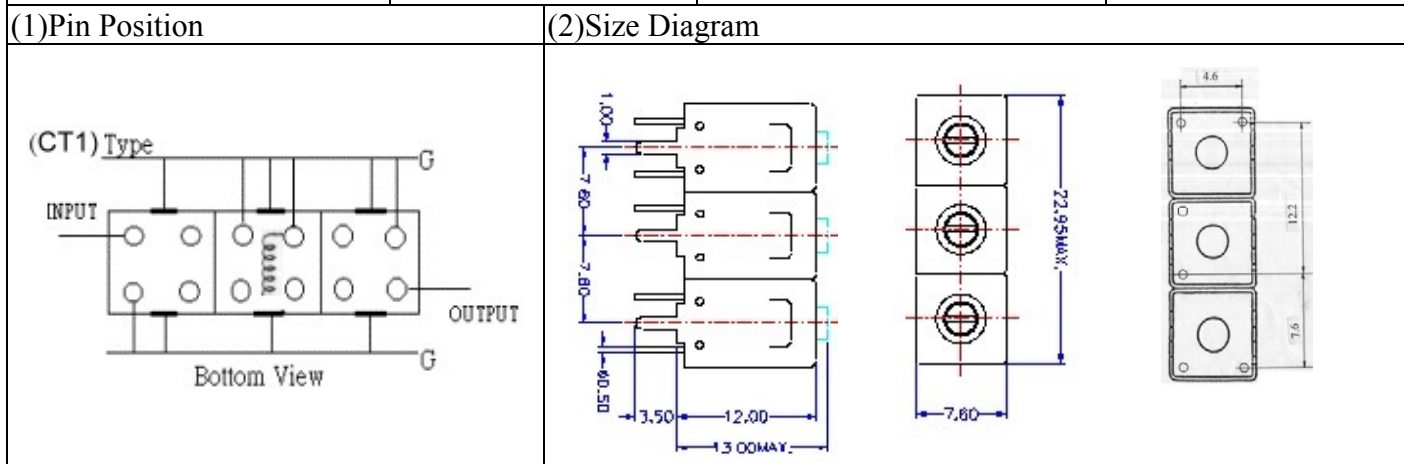


# VHF UHF Helical Filter Specification Sheet

Customer Name		Temwell's Part No.	K3CT1-904M-12M
Approval No. /dated	0907087CD	Customer's Print name.	K3CT1 904M
Work Instruction No.	200907087CD	Date	Jul.24.2009



### (3) Electric Characteristic

Item	Specify	Performance	
Center Freq.(Fo) +/- 0.5 %	904 MHz	904 MHz	
Insertion Loss	Typ. 4.0 dB	3.01 dB	
-3 dB Bandwidth	Typ. 12 MHz	17.1 MHz	
Sensitivity (Attenuation)	Fo - 60 MHz	Typ. 40 dBc	49 dBc
	Fo + 60 MHz	Typ. 30 dBc	35 dBc
	Fo - ( )MHz	Typ. dBc	dBc
	Fo +( )MHz	Typ. dBc	dBc
Return Loss	Min. 12 dB	28.7 dB	
Ripple	< 1 dB	dB	
Impedance	In / Out : 50 Ω	In / Out : 50 Ω	

### (4) Torque for Tuning Screw

(4) Torque for Tuning Screw	> 100gf · cm
-----------------------------	--------------

### (5) Temperature Condition:

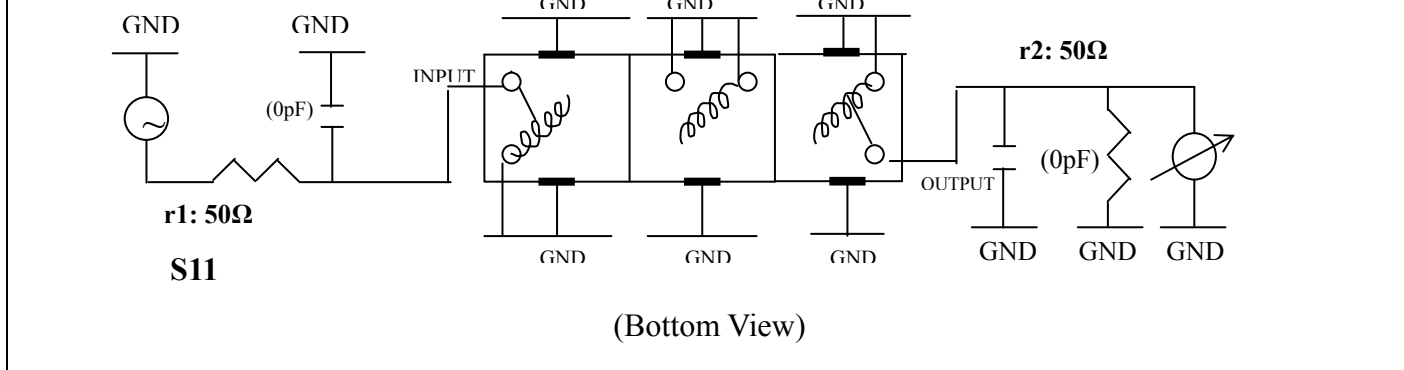
Operating Temperature	0°C ~ +60°C
-----------------------	-------------

Storage Temperature	-20°C ~ +70°C
---------------------	---------------

### (6) Input Power

(6) Input Power	> 1Watt
-----------------	---------

### (7) Measuring Circuit: ※Easy to match Impedance S11/S22 50Ω/ by parallel with about(0pF) / (0pF).



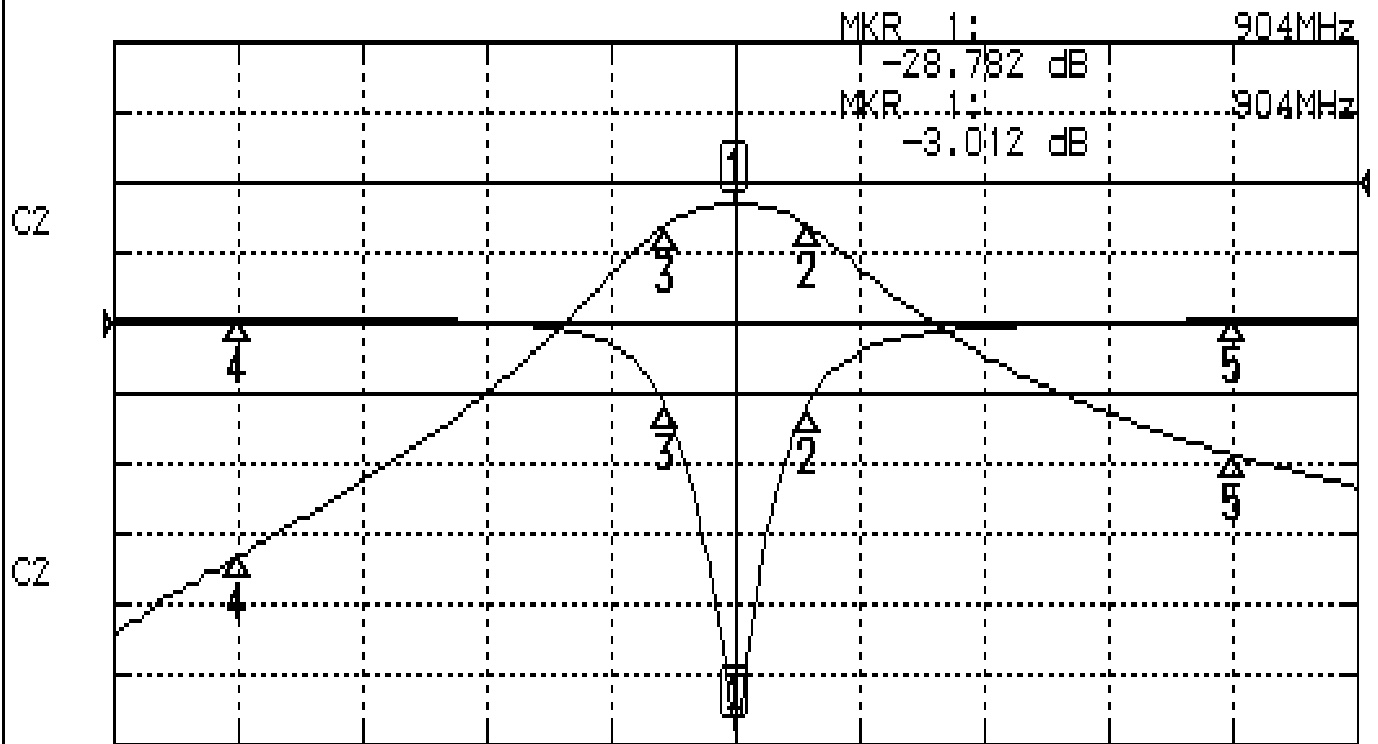
Approval C.Y.Chang	Supervisor C.K.Chang	Designer C.H.Yeh	Aperture size 7H3S(4*4.65)(4.70) 7H046RB4
-----------------------	-------------------------	---------------------	---

TEMWELL CORPORATION

# Performance-K3CT1-904M-12M

200907087CD

CH1 S11 LOG MAG REF 0.000 dB 5.000 dB/  
CH2 S21 LOG MAG REF 0.000 dB 10.000 dB/



CENTER 904MHz

[ 10.00 dBm ]

SPAN 150MHz

## CH1 MARKER LIST

1:	904.000MHz	-28.770 dB
2:	912.625MHz	-15.991 dB
3:	895.500MHz	-15.920 dB
4:	844.000MHz	0.304 dB
5:	964.000MHz	0.194 dB
6:		
7:		
8:		
9:		
10:		

## CH2 MARKER LIST

1:	904.000MHz	-3.012 dB
2:	912.625MHz	-16.095 dB
3:	895.500MHz	-16.096 dB
4:	844.000MHz	-32.918 dB
5:	964.000MHz	-38.682 dB
6:		
7:		
8:		
9:		
10:		