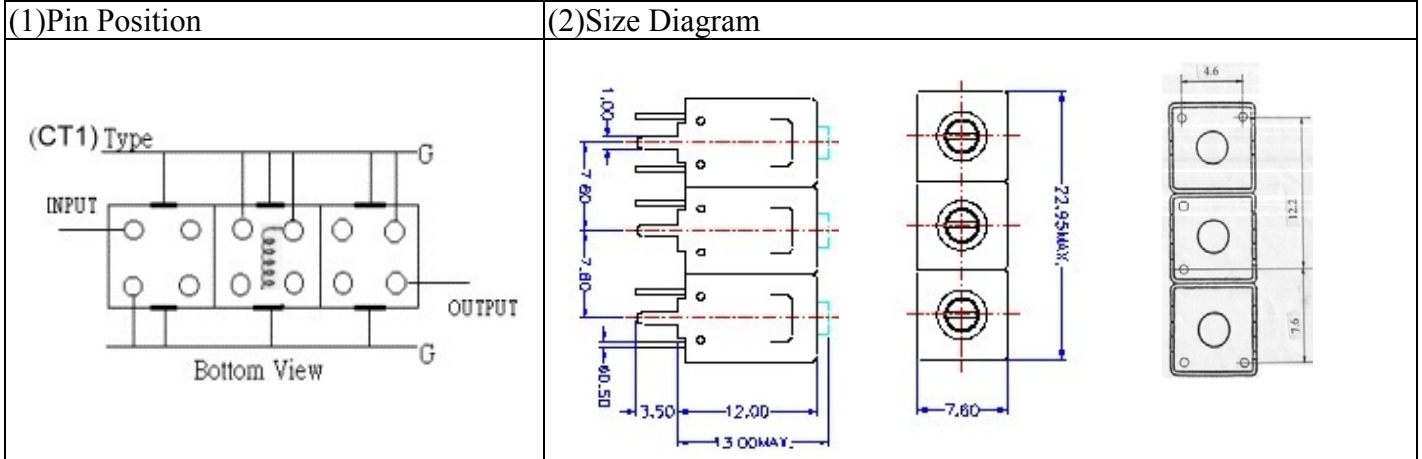


# VHF UHF Helical Filter Specification Sheet

Customer Name		Temwell's Part No.	K3CT1-833M-21M
Approval No. /dated	20402077DC	Customer's Part No.	
Work Instruction No.	20402077DC	Date	Mar.01.2004



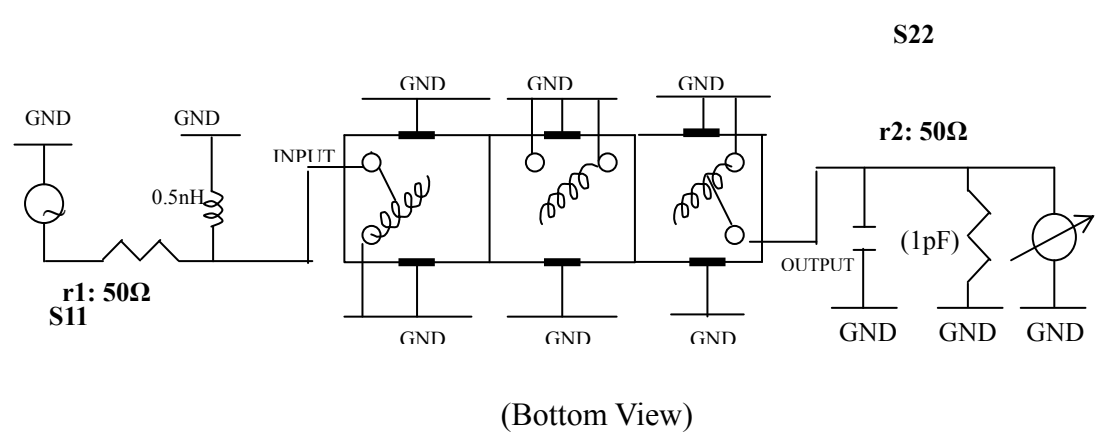
(3) Electric Characteristic		Specify	Performance
Center Freq.(Fo) +/- 0.5 %		833 MHz	833 MHz
Tunable Range: <input type="checkbox"/> Fo±5MHz <input type="checkbox"/> Fo±10MHz <input type="checkbox"/> Fo±15MHz		833±15 MHz	833±15 MHz
Insertion Loss		Max. 3.0 dB	2.2 dB
-3 dB Bandwidth		Typ. 21 MHz	26 MHz
Sensitivity (Attenuation)	Fo - 50 MHz	Typ. 30 dB	35 dBc
	Fo + 50 MHz	Typ. 20 dB	26 dBc
	Fo - ( )MHz	Typ. dB	dBc
	Fo +( )MHz	Typ. dB	dBc
Return Loss		Min. 12 dB	26 dB
Ripple		< 1 dB	dB
Impedance		In / Out : 50 Ω	In / Out : 50 Ω

(4) Torque for Tuning Screw > 60gf • cm

(5) Temperature Condition:	
Operating Temperature	0°C ~ +60°C
Storage Temperature	-20°C ~ +70°C

(6) Input Power > 1Watt

(7) Measuring Circuit: ※Easy to match Impedance S11/S22 50Ω by parallel with about(0.5nH) / (1pF).



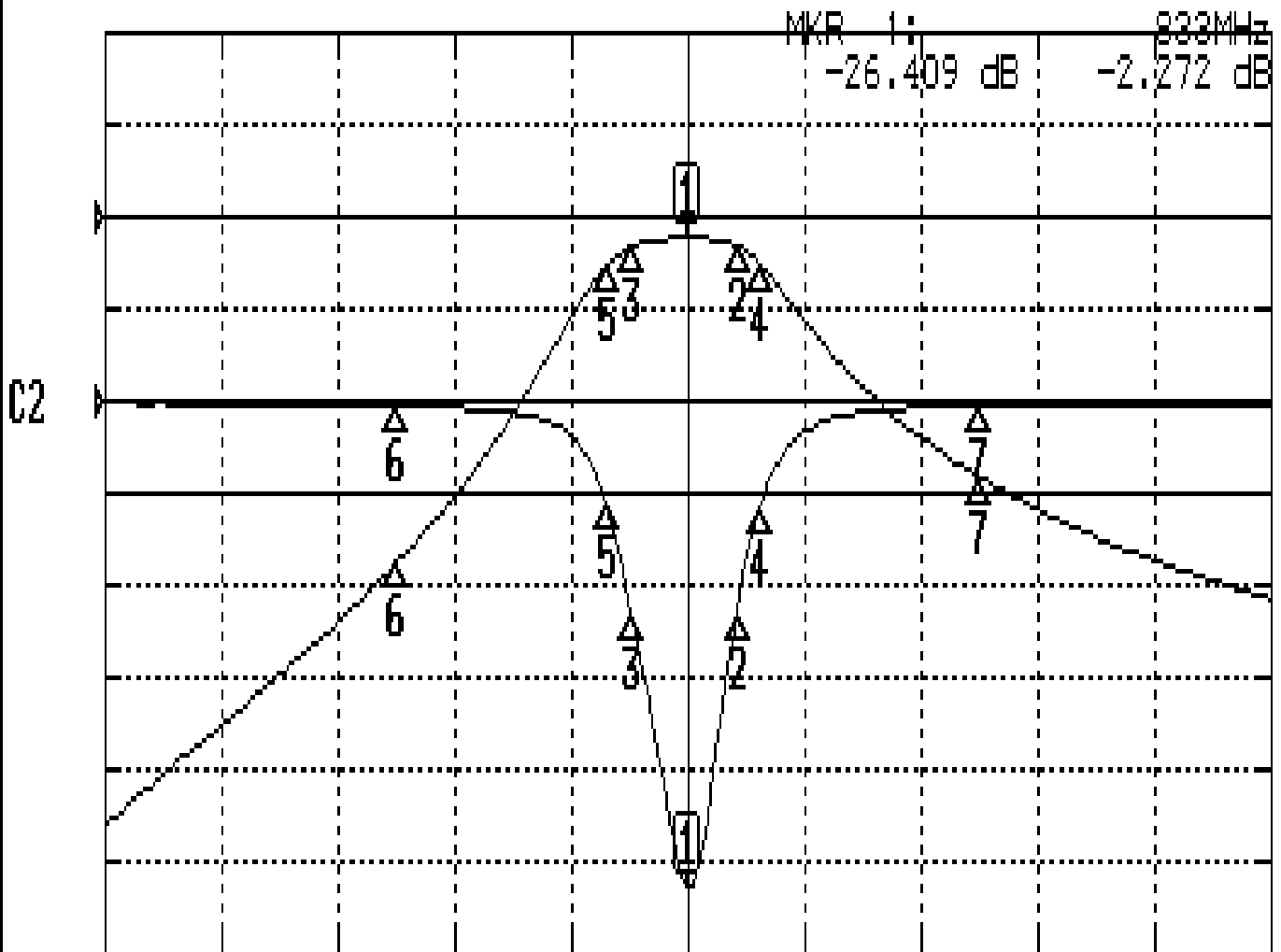
Approval	Supervisor	Designer	Aperture size
	C.S.Chang	Enlan	7H3(4*5.5)(5.6)F

TEMWELL CORPORATION

# Performance-K3CT1-833M-21M

20402077DC

CH1 S11&S21 LOG MAG REF 0.000 dB 5.000 dB/



CENTER 833MHz

[ 10.00 dBm ]

SPAN 200MHz

## CH1 MARKER LIST

1:	833.000MHz	-26.409 dB	-2.272 dB
2:	841.500MHz	-11.343 dB	-3.251 dB
3:	823.500MHz	-11.487 dB	-3.214 dB
4:	845.500MHz	-5.666 dB	-5.256 dB
5:	819.166MHz	-5.687 dB	-5.231 dB
6:	783.000MHz	-0.271 dB	-37.632 dB
7:	883.000MHz	-0.268 dB	-28.245 dB