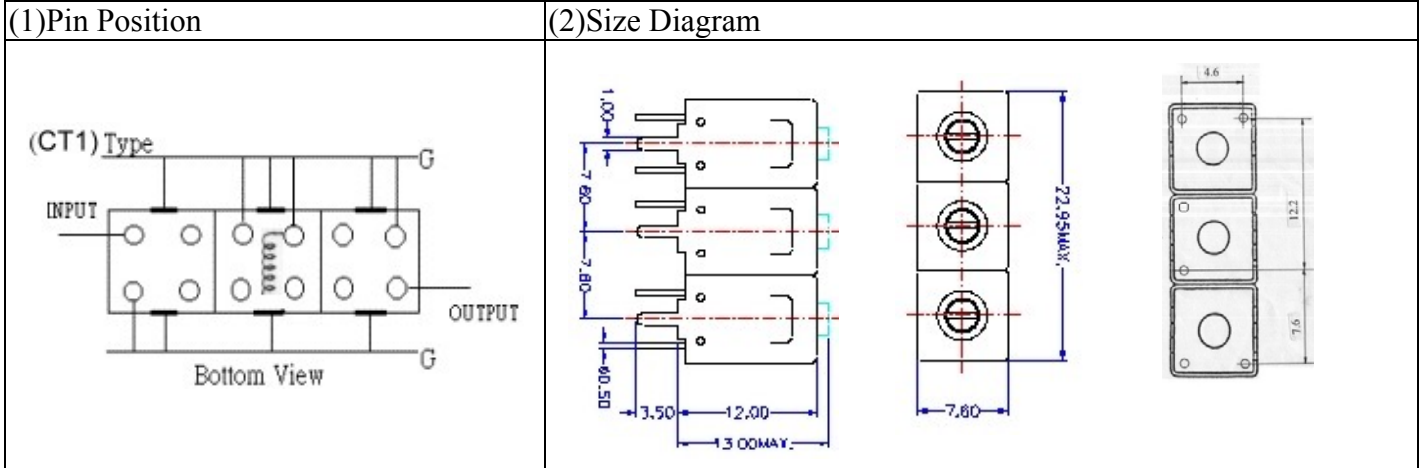
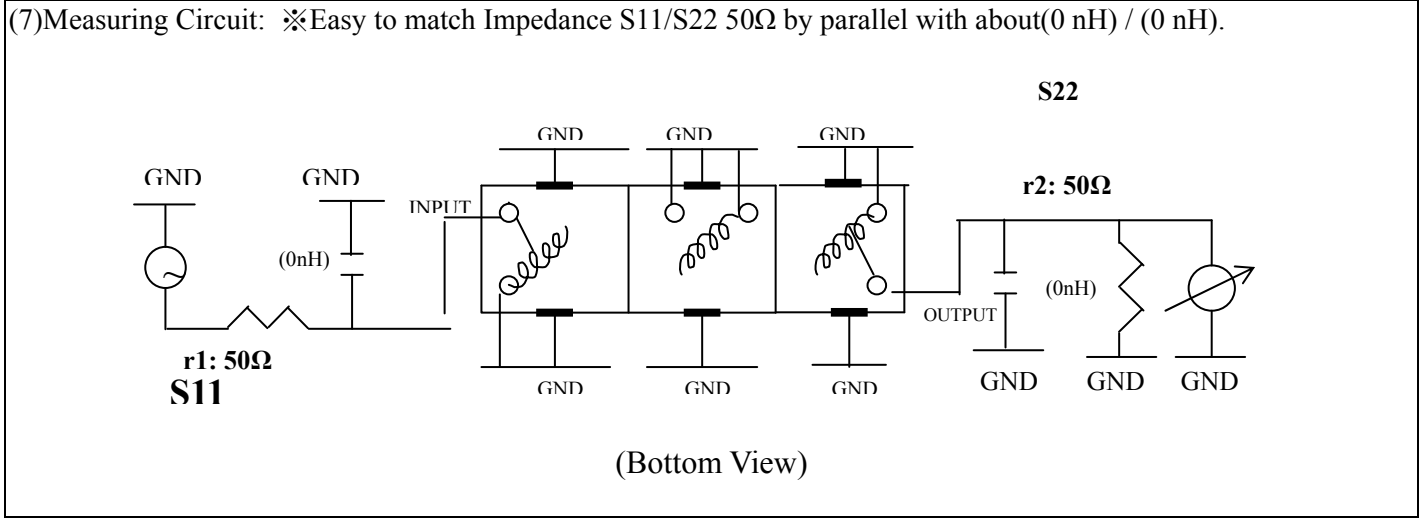


VHF UHF Helical Filter Specification Sheet

Customer Name		Temwell's Part No.	K3CT1-1015M-25M
Approval No. /dated	0908098CD	Temwell's print name.	K3CT1 1015M
Work Instruction No.	200908098CD	Date	Sep.25.2009



(3) Electric Characteristic			
Item		Specify	Performance
Center Freq.(Fo) +/- 0.5 %		1015 MHz	1015 MHz
Insertion Loss		Typ. 4.0 dB	2.73 dB
-3 dB Bandwidth		Typ. 25 MHz	28.2 MHz
Sensitivity (Attenuation)	Fo -(40) MHz	Typ. 20 dBc	30 dBc
	Fo +(40)MHz	Typ. 16 dBc	23 dBc
	Fo -()MHz	Typ. dBc	dBc
	Fo +()MHz	Typ. dBc	dBc
Return Loss		Min. 12 dB	26.0 dB
Ripple		< 1 dB	dB
Impedance		In / Out : 50 Ω	In / Out : 50 Ω
(4) Torque for Tuning Screw		>100gf · cm	
(5) Temperature Condition:			
Operating Temperature		-0°C ~ +60°C	
Storage Temperature		-20°C ~ +70°C	
(6) Input Power		> 1Watt	



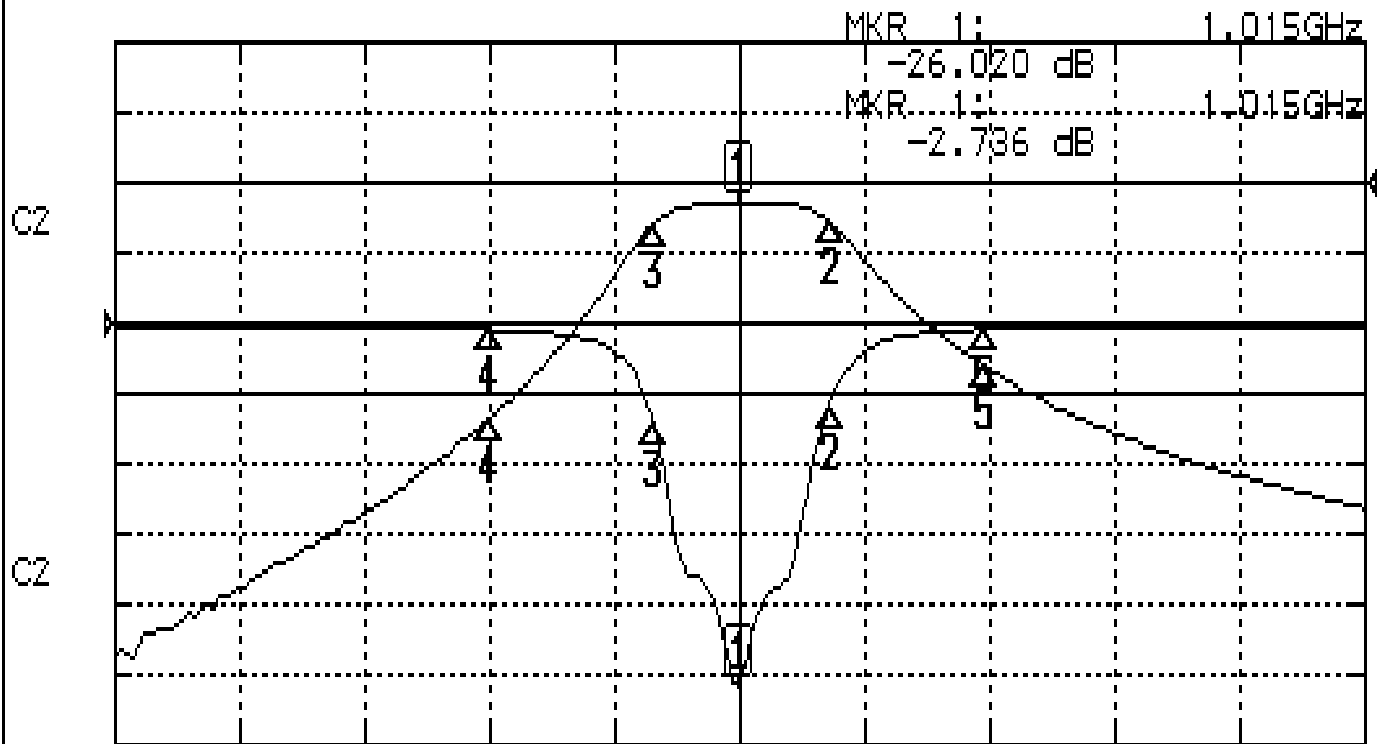
Approval	Supervisor	Designer	Aperture size
C.Y.Chang	C.K.Chang	H.Y.Hui	7H3S(4*5.5)(5.58) 7H046RB4

TEMWELL CORPORATION

Performance-K3CT1-1015M-25M

200908098CD

CH1 S11 LOG MAG REF 0.000 dB 5.000 dB/
CH2 S21 LOG MAG REF 0.000 dB 10.000 dB/



CENTER 1.015GHz

[10.00 dBm]

SPAN 200MHz

CH1 MARKER LIST

1:	1.015	000GHz	-26.020	dB
2:	1.029	500GHz	-5.811	dB
3:	1.001	333GHz	-7.158	dB
4:	975	.000MHz	-0.433	dB
5:	1.054	333GHz	-0.402	dB

CH2 MARKER LIST

1:	1.015	000GHz	-2.736	dB
2:	1.029	500GHz	-1.755	dB
3:	1.001	333GHz	-1.769	dB
4:	975	.000MHz	-38.625	dB
5:	1.054	333GHz	-26.209	dB