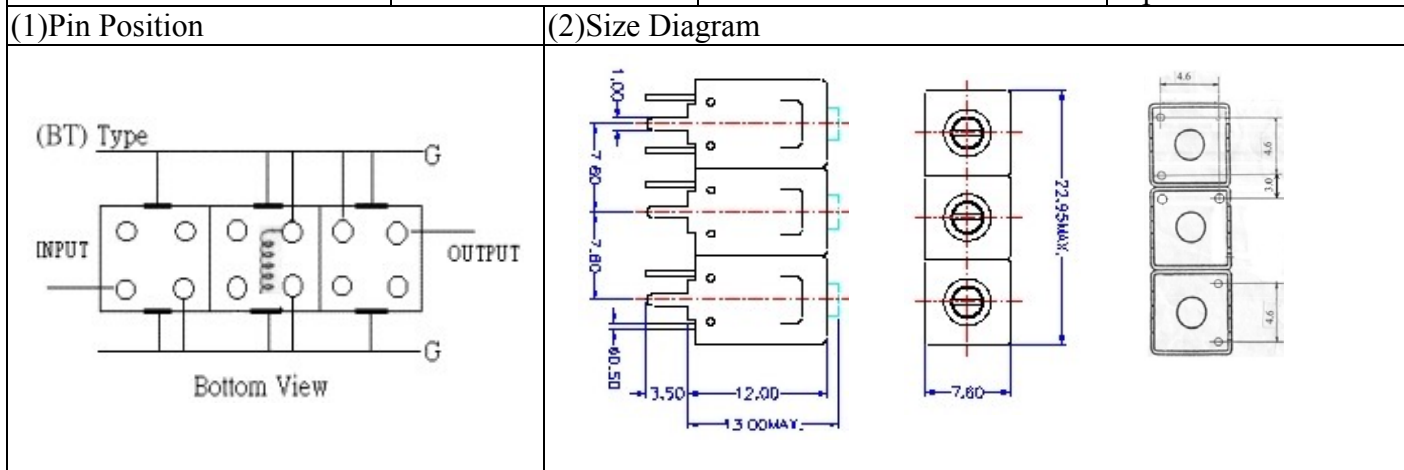


VHF UHF Helical Filter Specification Sheet

Customer Name		Temwell's Part No.	K3BT-510M-15M
Approval No. /dated	0908080CD	Temwell's print name.	K3BT 510M
Work Instruction No.	200908080CD	Date	Sep.15.09



(3) Electric Characteristic

Item	Specify	Performance	
Center Freq.(Fo) +/- 0.5 %	510 MHz	510 MHz	
Insertion Loss	Typ. 3.5 dB	2.78 dB	
-3 dB Bandwidth	Typ. 15 MHz	17.1 MHz	
Sensitivity (Attenuation)	Fo - 40 MHz	Typ. 30 dBc	47 dBc
	Fo +40 MHz	Typ. 23 dBc	32 dBc
	Fo - ()MHz	Typ. dBc	dBc
	Fo + ()MHz	Typ. dBc	dBc
Return Loss	Min. 12 dB	20.9 dB	
Ripple	< 1 dB	dB	
Impedance	In / Out : 50 Ω	In / Out : 50 Ω	

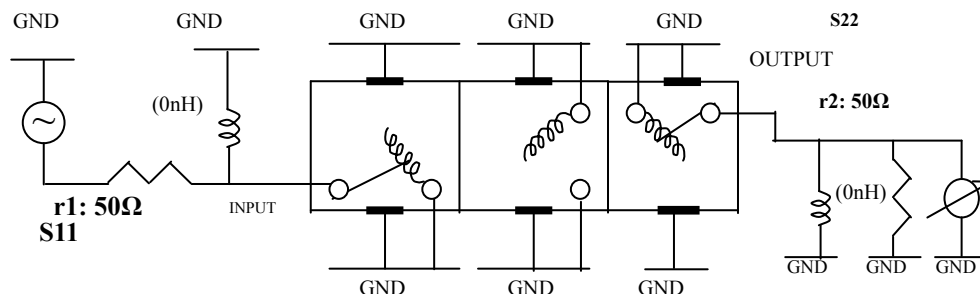
(4) Torque for Tuning Screw > 100gf · cm

(5) Temperature Condition:

Operating Temperature	0°C ~ +60°C
Storage Temperature	-20°C ~ +70°C

(6) Input Power > 1Watt

(7) Measuring Circuit: ※Easy to match Impedance S11/S22 50Ω by parallel with about(0nH) / (0nH).



(Bottom View)

Approval C.Y.Chang	Supervisor C.K.Chang	Designer F.L.Lai	Aperture size 7H3S(4*6.5)(6.58) 7H046RB4
-----------------------	-------------------------	---------------------	--

TEMWELL CORPORATION

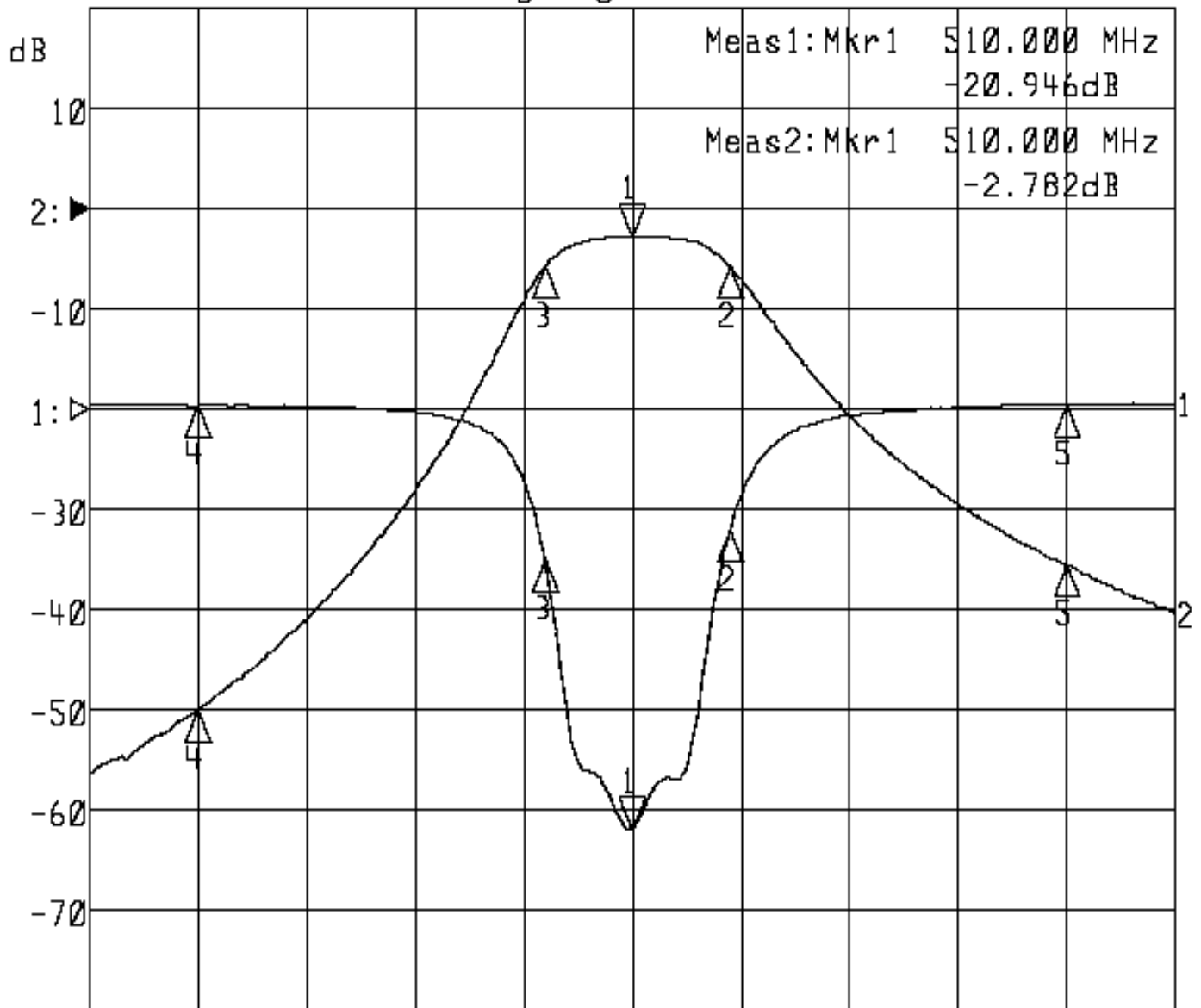
TEMWELL

Form10-7H3BT Vision D RP(F.L.L)

Performance-K3BT-510M-15M

200908080CD

▷1:S11 Refl Port1 Log Mag 5.0 dB/ Ref 0.00 dB C
▶2:S21 Fwd Trans Log Mag 10.0 dB/ Ref 0.00 dB C



Center 510.000 MHz

Span 100.000 MHz

1:Mkr (MHz)	dB	2:Mkr (MHz)	dB
1> 510.0000	-20.946	1> 510.0000	-2.782
2: 519.0000	-6.012	2: 519.0000	-5.689
3: 501.9667	-7.467	3: 501.9667	-5.713
4: 470.0000	0.188	4: 470.0000	-49.934
5: 550.0000	0.236	5: 550.0000	-35.590