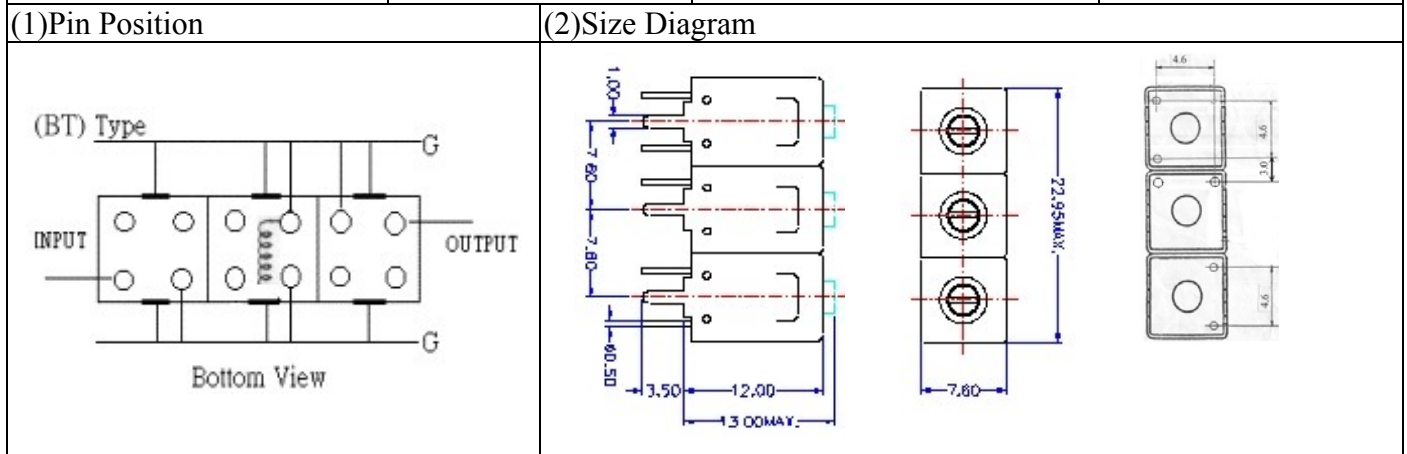


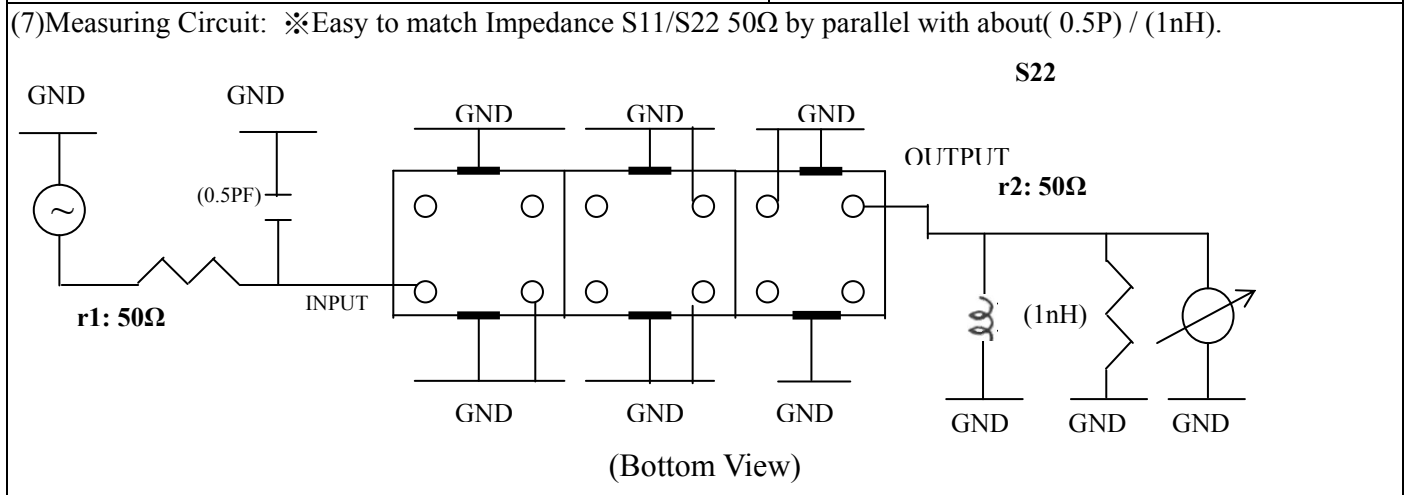
VHF UHF Helical Filter Specification Sheet

Customer Name		Temwell's Part No.	K3BT-500M-16M
Approval No. /dated	20402074DC	Customer's Part No.	
Work Instruction No.	20402074DC	Date	Feb.27.2004



(3) Electric Characteristic					
Item		Specify		Performance	
Center Freq.(Fo) +/- 0.5 %		500 MHz		500 MHz	
Tunable Range: <input type="checkbox"/> Fo±5MHz <input type="checkbox"/> Fo±10MHz <input type="checkbox"/> Fo±15MHz		500±15 MHz		500±15 MHz	
Insertion Loss		Max. 3.0 dB		2.0 dB	
-3 dB Bandwidth		Typ. 16 MHz		19 MHz	
Sensitivity (Attenuation)	Fo - 50 MHz	Typ. 35 dBc		40 dBc	
	Fo + 50 MHz	Typ. 30 dBc		35 dBc	
	Fo - ()MHz	Typ. dBc		dBc	
	Fo + ()MHz	Typ. dBc		dBc	
Return Loss		Min. 12 dB		22 dB	
Ripple		< 1 dB		dB	
Impedance		In / Out : 50 Ω		In / Out : 50 Ω	
(4) Torque for Tuning Screw		> 60gf · cm			

(5) Temperature Condition:	
Operating Temperature	0°C ~ +60°C
Storage Temperature	20°C ~ +70°C
(6) Input Power	> 1Watt

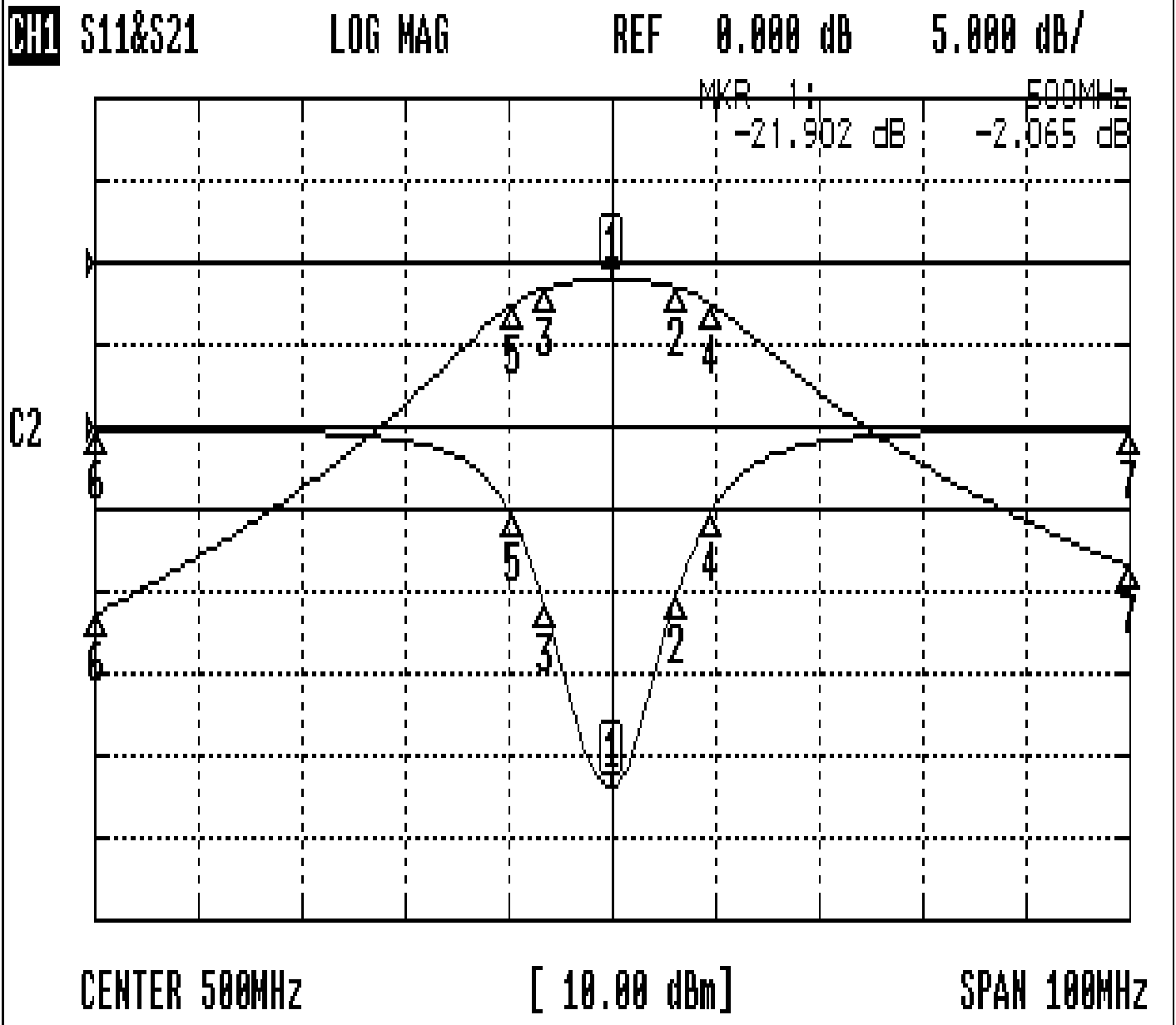


Approval	Supervisor	Designer	Aperture size
	C.S.Chang	Enlan	7H3(4*6.5)(6.58)F

TEMWELL CORPORATION

Performance- K3BT-500M-16M

20402074DC



CH1 MARKER LIST

1:	500.000MHz	-21.895 dB	-2.064 dB
2:	506.250MHz	-10.317 dB	-3.042 dB
3:	493.583MHz	-10.872 dB	-3.087 dB
4:	509.500MHz	-5.346 dB	-5.002 dB
5:	490.416MHz	-5.539 dB	-5.097 dB
6:	450.000MHz	-0.138 dB	-42.835 dB
7:	550.000MHz	-0.178 dB	-37.052 dB