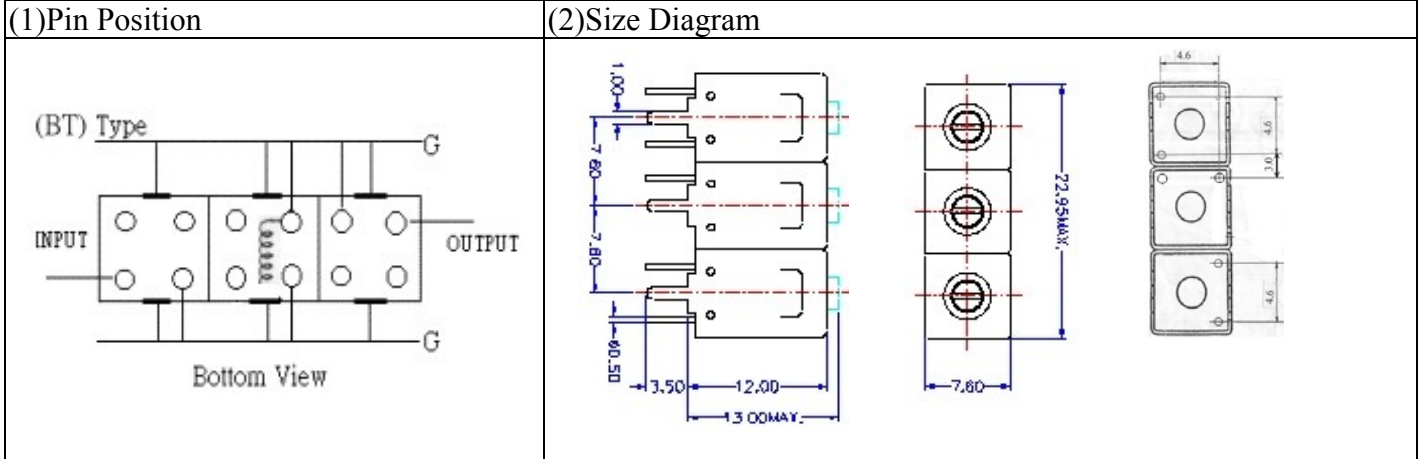


VHF UHF Helical Filter Specification Sheet

Customer Name		Temwell's Part No.	K3BT-465M-15M
Approval No. /dated	20402073DC	Customer's Part No.	
Work Instruction No.	20402073DC	Date	Feb.27.2004



(3) Electric Chararistic

Item	Specify	Performance
Center Freq.(Fo) +/- 0.5 %	465 MHz	465 MHz
Tunable Range: <input type="checkbox"/> Fo±5MHz <input type="checkbox"/> Fo±10MHz <input type="checkbox"/> Fo±15MHz	465±15 MHz	465±15 MHz
Insertion Loss	Max. 3.0 dB	2.0 dB
-3 dB Bandwidth	Typ. 15 MHz	19 MHz
Sensitivity (Attenuation)	Fo - 50 MHz	Typ. 40 dBc
	Fo + 50 MHz	Typ. 30 dBc
	Fo - ()MHz	Typ. dBc
	Fo +()MHz	Typ. dBc
Return Loss	Min. 12 dB	19 dB
Ripple	< 1 dB	dB
Impedance	In / Out : 50 Ω	In / Out : 50 Ω

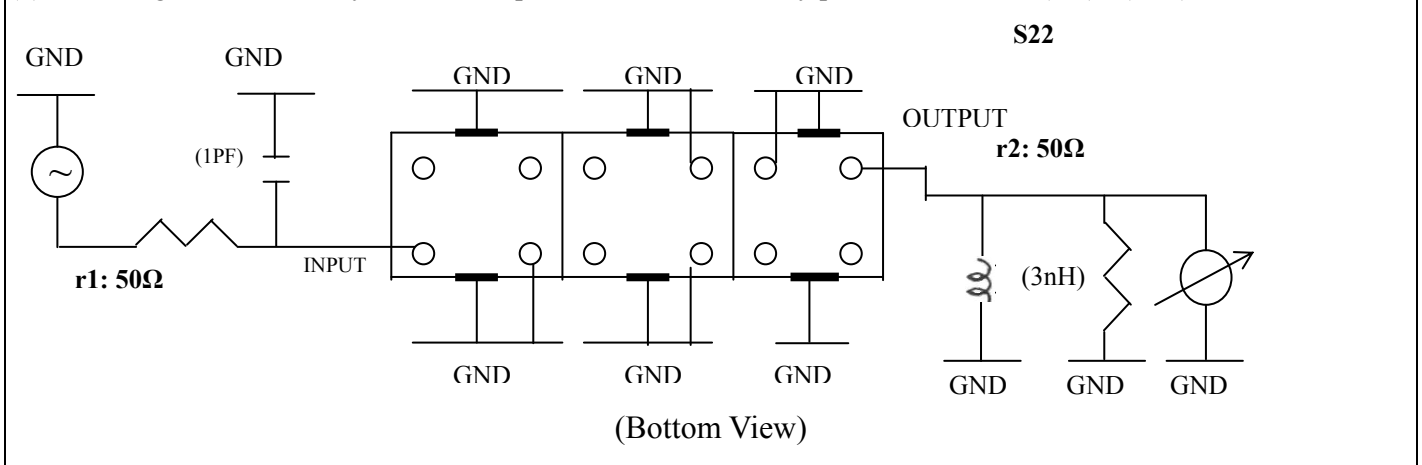
(4) Torque for Tuning Screw > 60gf · cm

(5) Temperature Condition:

Operating Temperature	0°C ~ +60°C
Storage Temperature	20°C ~ +70°C

(6) Input Power > 1 Watt

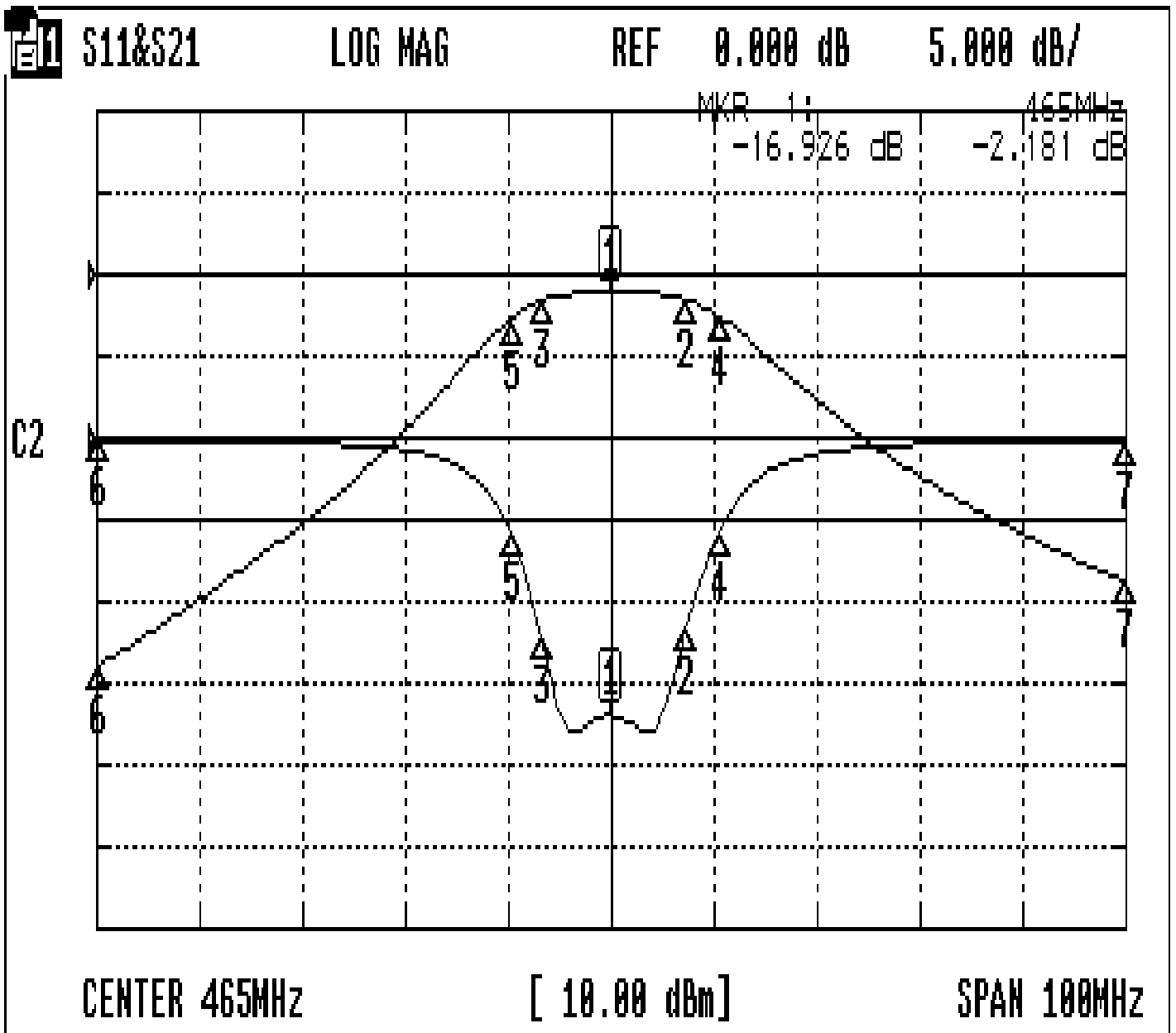
(7) Measuring Circuit: ※Easy to match Impedance S11/S22 50Ω by parallel with about(1P) / (3nH).



Approval	Supervisor	Designer	Aperture size
	C.S.Chang	Enlan	7H3(4*7.5)(7.4)F

Performance- K3BT-465M-15M

20402073DC



CH1 MARKER LIST

1:	465.000MHz	-16.922 dB	-2.177 dB
2:	472.416MHz	-11.496 dB	-3.118 dB
3:	458.250MHz	-12.130 dB	-3.171 dB
4:	475.583MHz	-5.659 dB	-5.169 dB
5:	455.416MHz	-5.970 dB	-5.182 dB
6:	415.000MHz	-0.130 dB	-48.033 dB
7:	515.000MHz	-0.168 dB	-37.398 dB