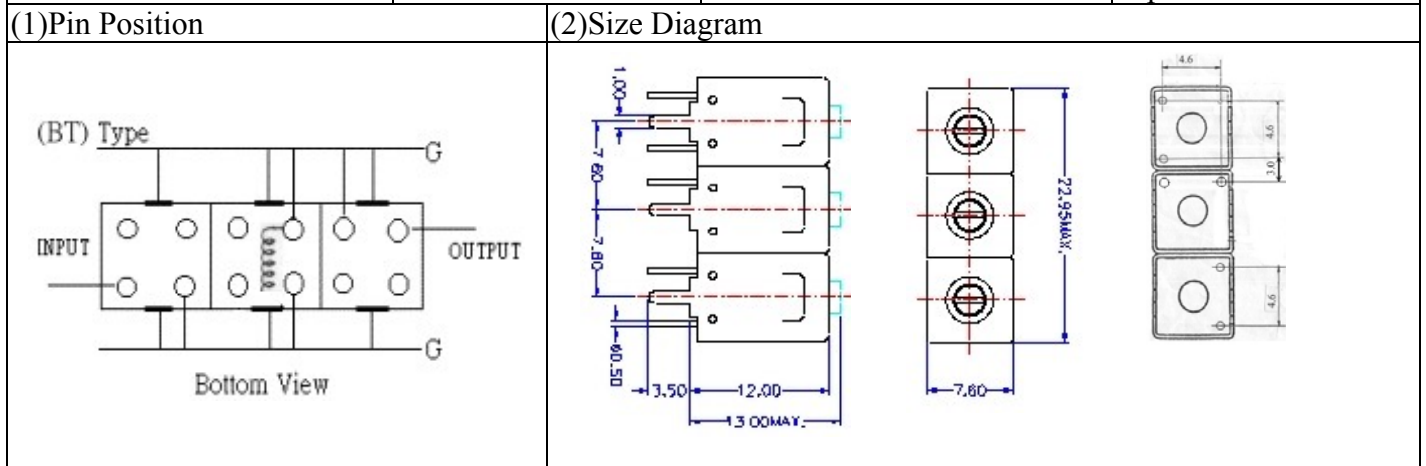


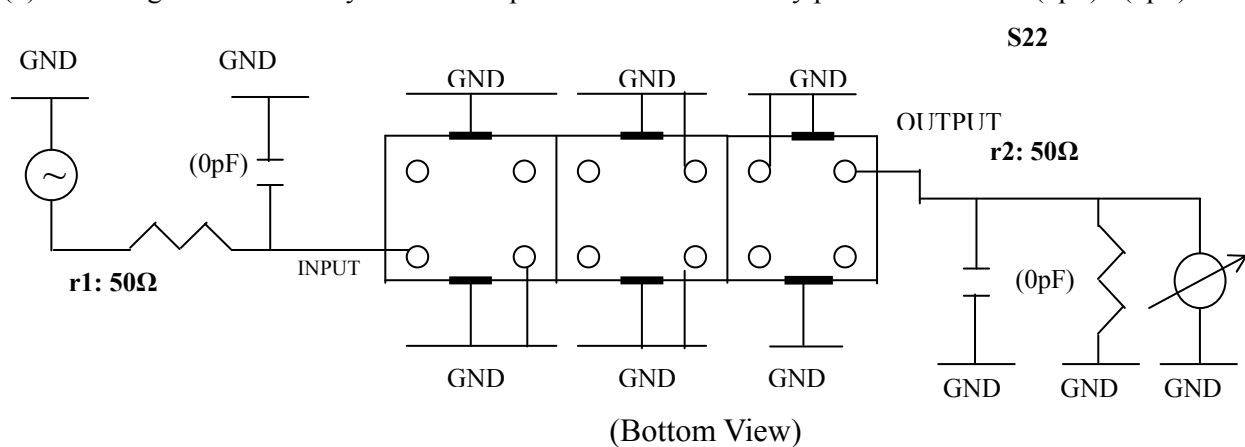
VHF UHF Helical Filter Specification Sheet

Customer Name		Temwell's Part No.	K3BT-390M-16M
Approval No. /dated	0908070CD	Customer's Part No.	K3BT 390M
Work Instruction No.	200908070CD	Date	Sep.09.2009



(3) Electric Characteristic			
Item	Specify	Performance	
Center Freq.(Fo) +/- 0.5 %	390 MHz	390	MHz
Insertion Loss	Typ. 3.0 dB	1.83	dB
-3 dB Bandwidth	Typ. 16 MHz	17.7	MHz
Sensitivity (Attenuation)	Fo - 50 MHz	Typ. 40	dBc
	Fo + 50 MHz	Typ. 30	dBc
	Fo - ()MHz	Typ.	dBc
	Fo + ()MHz	Typ.	dBc
Return Loss	Min. 12 dB	35.9	dB
Ripple	< 1 dB		dB
Impedance	In / Out : 50 Ω	In / Out : 50 Ω	
(4) Torque for Tuning Screw	> 100gf · cm		
(5) Temperature Condition:			
Operating Temperature	0°C ~ +60°C		
Storage Temperature	-20°C ~ +70°C		
(6) Input Power	> 1 Watt		

(7) Measuring Circuit: ※Easy to match Impedance S11/S22 50Ω by parallel with about(0pF) / (0pF).



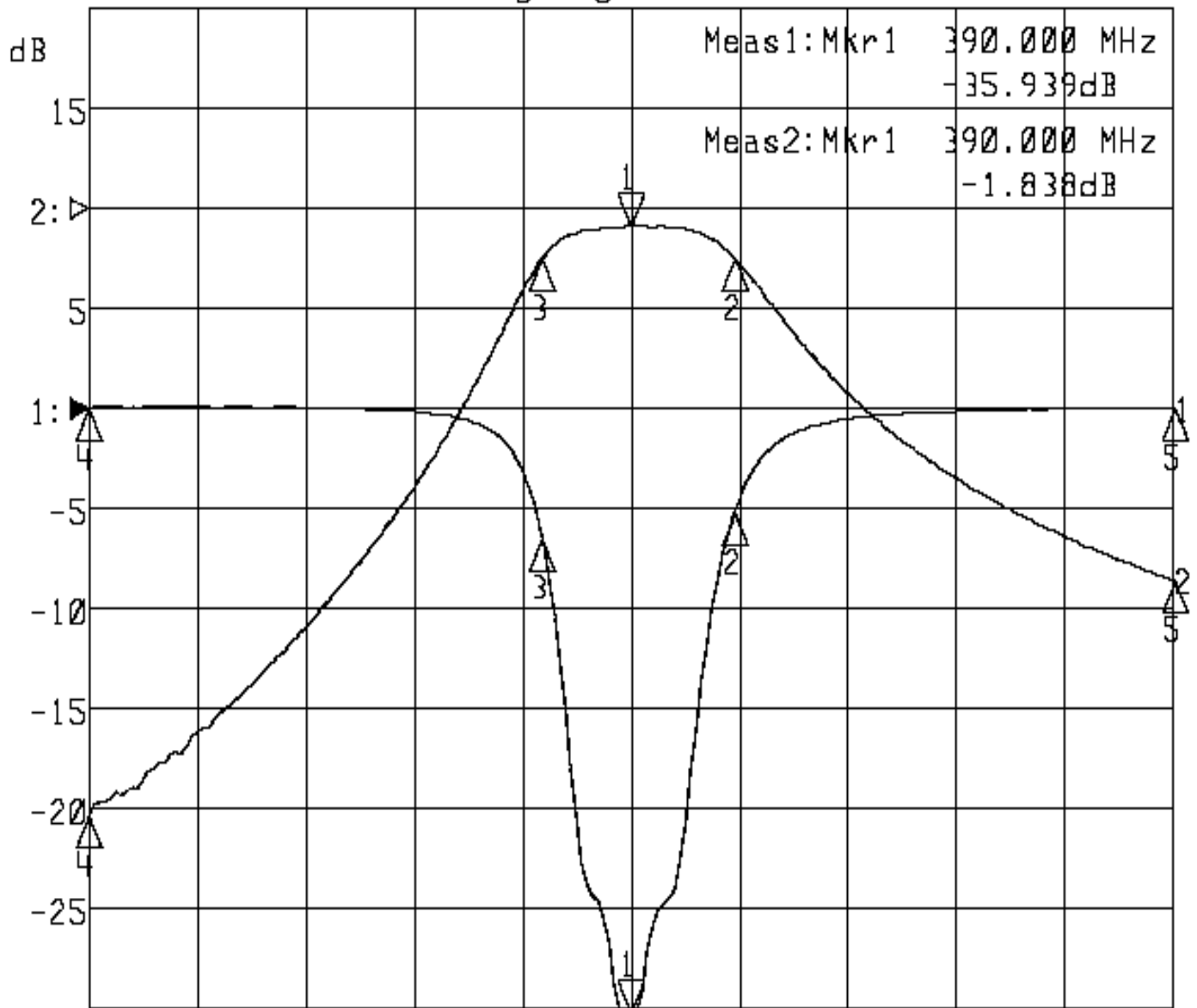
Approval C.Y.Chang	Supervisor C.K.Chang	Designer F.L.Lai	Aperture size 7H3S(4*6.5)(6.51)F 7H046RB4
-----------------------	-------------------------	---------------------	---

TEMWELL CORPORATION

Performance-K3BT-390M-16M

200908070CD

►1:S11 Refl Port1 Log Mag 5.0 dB/ Ref 0.00 dB C
►2:S21 Fwd Trans Log Mag 10.0 dB/ Ref 0.00 dB C



Center 390.000 MHz

Span 100.000 MHz

1:Mkr (MHz)	dB	2:Mkr (MHz)	dB
1> 390.0000	-35.939	1> 390.0000	-1.838
2: 399.5000	-5.261	2: 399.5000	-4.879
3: 381.8667	-6.553	3: 381.8667	-4.888
4: 340.0000	0.034	4: 340.0000	-60.642
5: 440.0000	0.016	5: 440.0000	-37.144