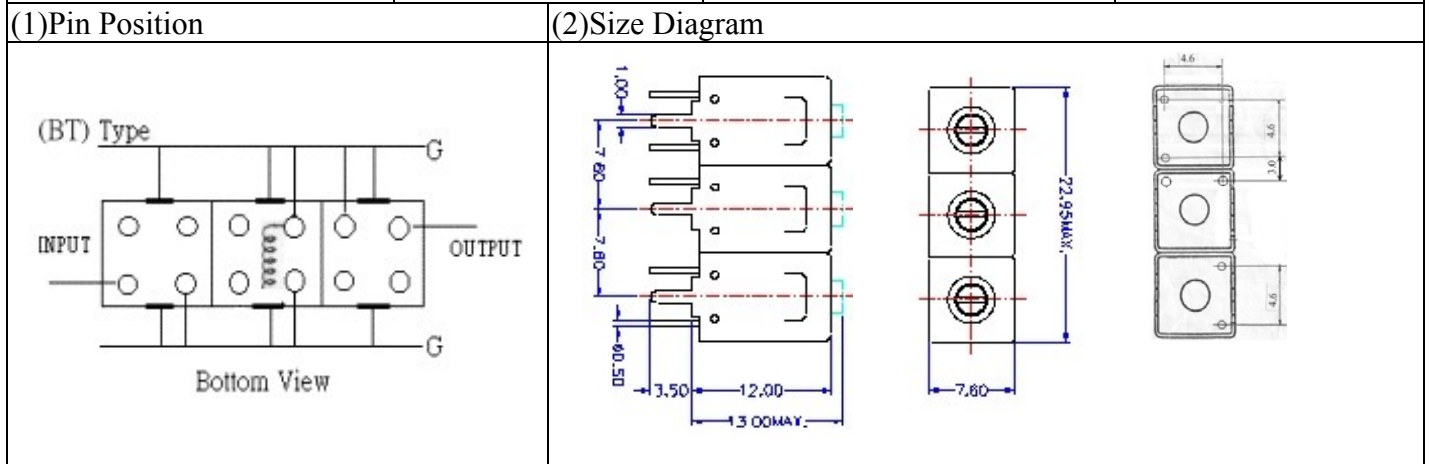
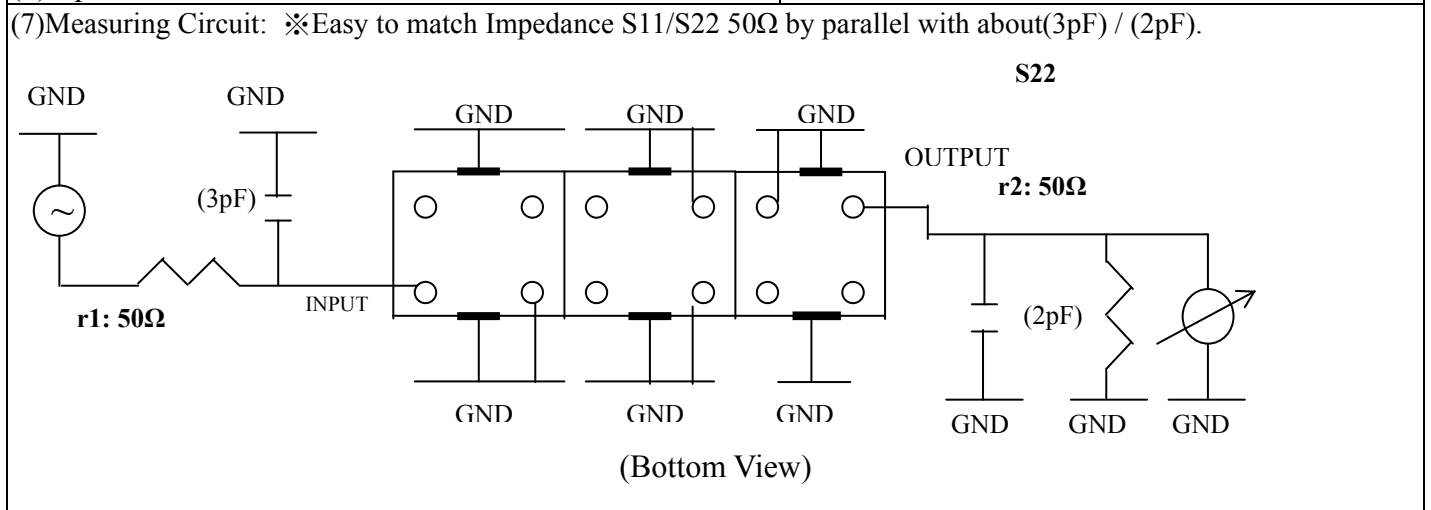


VHF UHF Helical Filter Specification Sheet

Customer Name		Temwell's Part No.	K3BT-390M-10M
Approval No. /dated	20402068DC	Customer's Part No.	
Work Instruction No.	20402068DC	Date	Feb.27.2004



(3) Electric Chararistic			
Item	Specify	Performance	
Center Freq.(Fo) +/- 0.5 %	390 MHz	390 MHz	
Tunable Range: <input type="checkbox"/> Fo±5MHz <input type="checkbox"/> Fo±10MHz <input type="checkbox"/> Fo±15MHz	390±15 MHz	390±15 MHz	
Insertion Loss	Ma x. 3.5 dB	2.6 dB	
-3 dB Bandwidth	Typ. 10 MHz	15 MHz	
Sensitivity (Attenuation)	Fo - 50 MHz	Typ. 40 dBc	61 dBc
	Fo + 50 MHz	Typ. 35 dBc	42 dBc
	Fo - ()MHz	Typ. dBc	dBc
	Fo + ()MHz	Typ. dBc	dBc
Return Loss	Min. 12 dB	16 dB	
Ripple	< 1 dB	dB	
Impedance	In / Out : 50 Ω	In / Out : 50 Ω	
(4) Torque for Tuning Screw			
		> 60gf · cm	
(5) Temperature Condition:			
Operating Temperature	0°C ~ +60°C		
Storage Temperature	20°C ~ +70°C		
(6) Input Power			
		> 1 Watt	

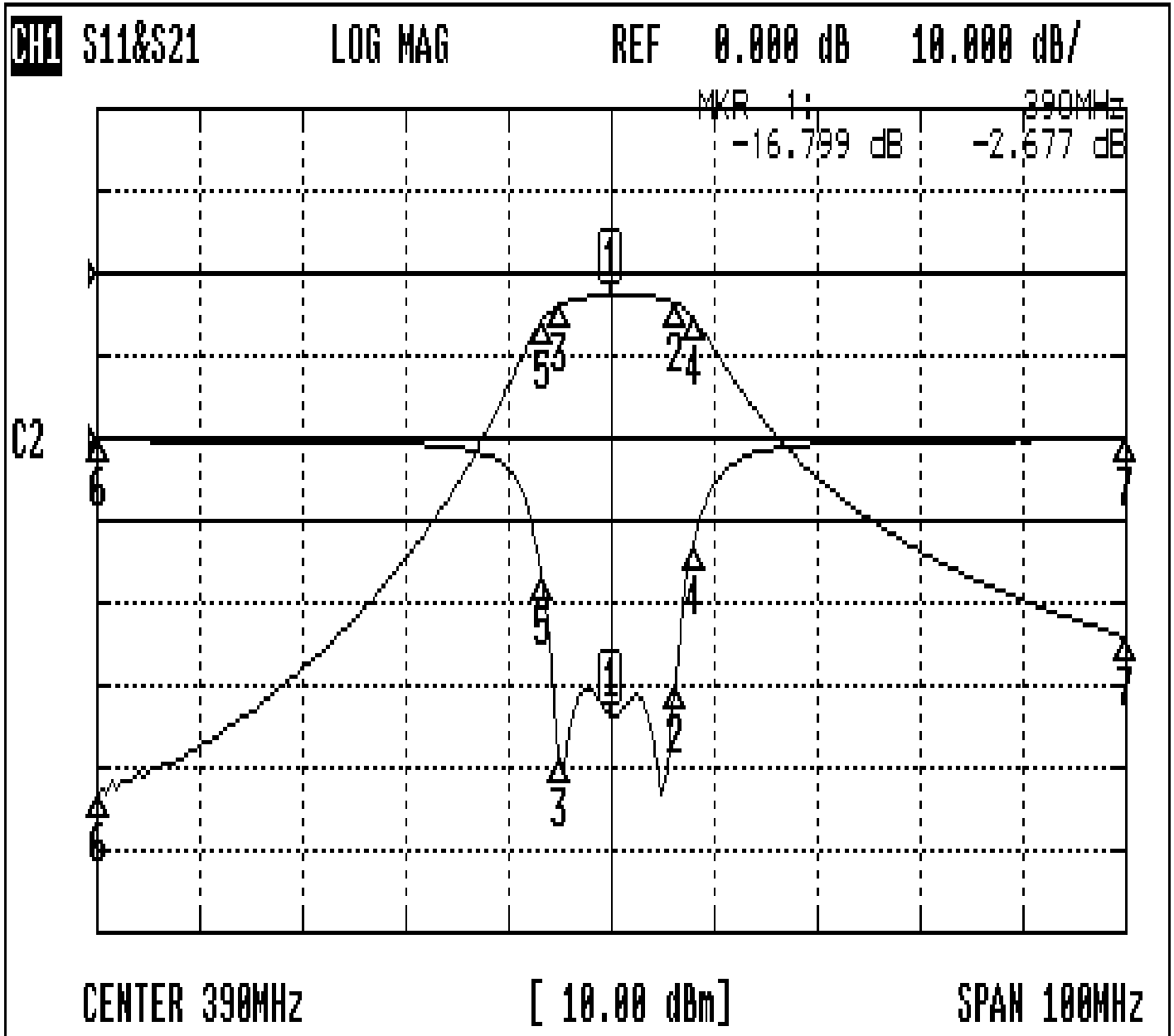


Approval	Supervisor	Designer	Aperture size
	C.S.Chang	Enlan	7H3 (4*6.5)(6.6)F

TEMWELL CORPORATION

Performance- K3BT-390M-10M

20402068DC



CH1 MARKER LIST

1:	390.000MHz	-16.796 dB	-2.673 dB
2:	396.250MHz	-14.862 dB	-3.608 dB
3:	385.083MHz	-19.537 dB	-3.650 dB
4:	398.083MHz	-6.289 dB	-5.623 dB
5:	383.333MHz	-8.526 dB	-5.606 dB
6:	340.000MHz	-0.118 dB	-63.261 dB
7:	440.000MHz	-0.116 dB	-44.176 dB