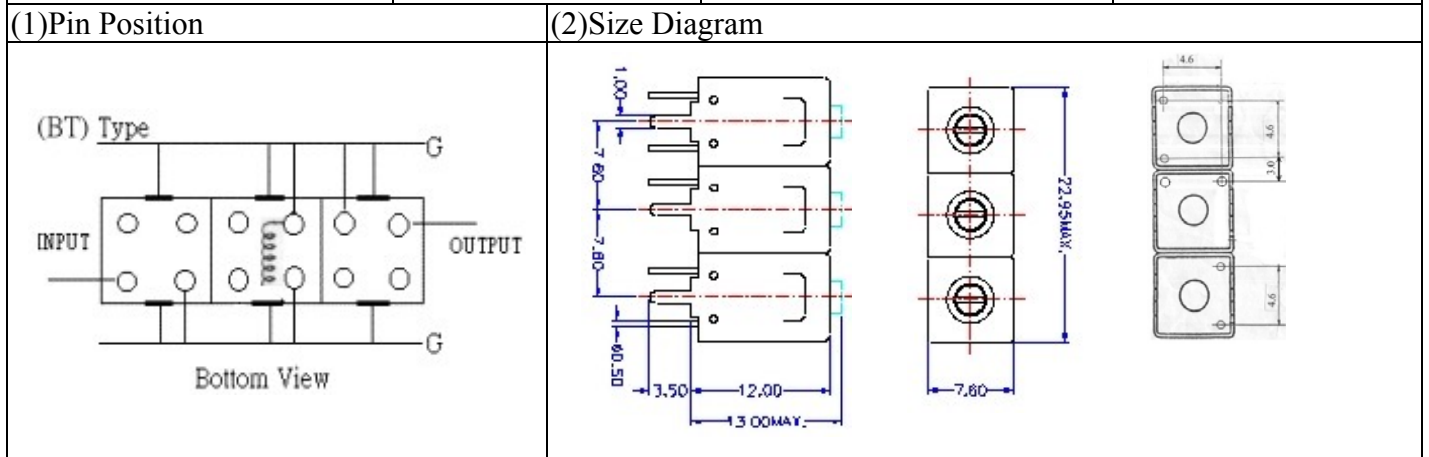


# VHF UHF Helical Filter Specification Sheet

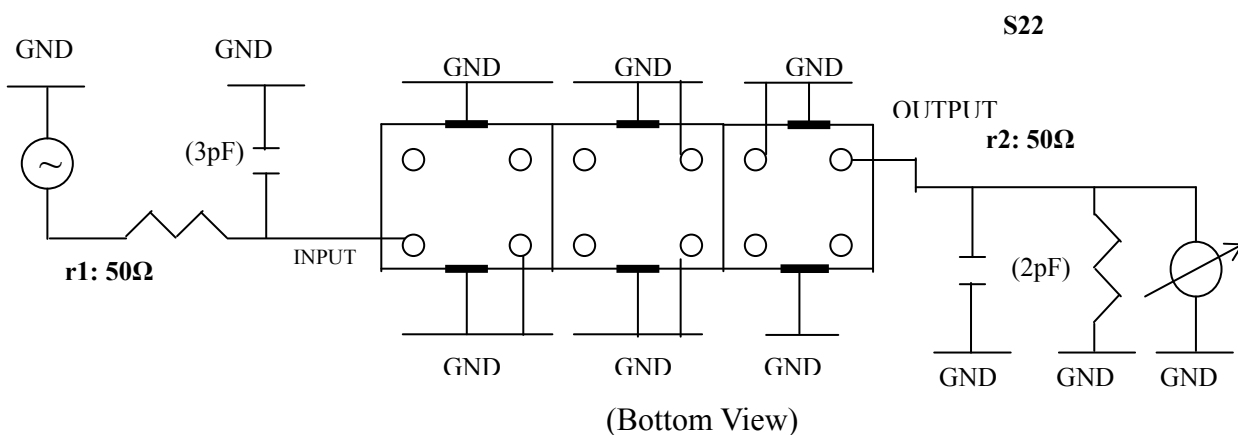
Customer Name		Temwell's Part No.	K3BT-370M-10M
Approval No. /dated	20402066DC	Customer's Part No.	
Work Instruction No.	20402066DC	Date	Feb.27.2004



(3) Electric Characteristic			
Item	Specify	Performance	
Center Freq.(Fo) +/- 0.5 %	370 MHz	370 MHz	
Tunable Range: <input type="checkbox"/> Fo±5MHz <input type="checkbox"/> Fo±10MHz <input type="checkbox"/> Fo±15MHz	370±15 MHz	370±15 MHz	
Insertion Loss	Ma x. 3.5 dB	2.8 dB	
-3 dB Bandwidth	Typ. 10 MHz	13 MHz	
Sensitivity (Attenuation)	Fo - 50 MHz	Typ. 40 dBc	63 dBc
	Fo + 50 MHz	Typ. 35 dBc	44 dBc
	Fo - ( )MHz	Typ. dBc	dBc
	Fo +( )MHz	Typ. dBc	dBc
Return Loss	Min. 12 dB	16 dB	
Ripple	< 1 dB	dB	
Impedance	In / Out : 50 Ω	In / Out : 50 Ω	
(4) Torque for Tuning Screw	> 60gf • cm		

(5) Temperature Condition:	
Operating Temperature	0°C ~ +60°C
Storage Temperature	20°C ~ +70°C
(6) Input Power	> 1 Watt

(7) Measuring Circuit: ※Easy to match Impedance S11/S22 50Ω by parallel with about(3pF) / (2pF).



Approval	Supervisor	Designer	Aperture size
	C.S.Chang	Enlan	7H3 (4*6.5)(6.6)F

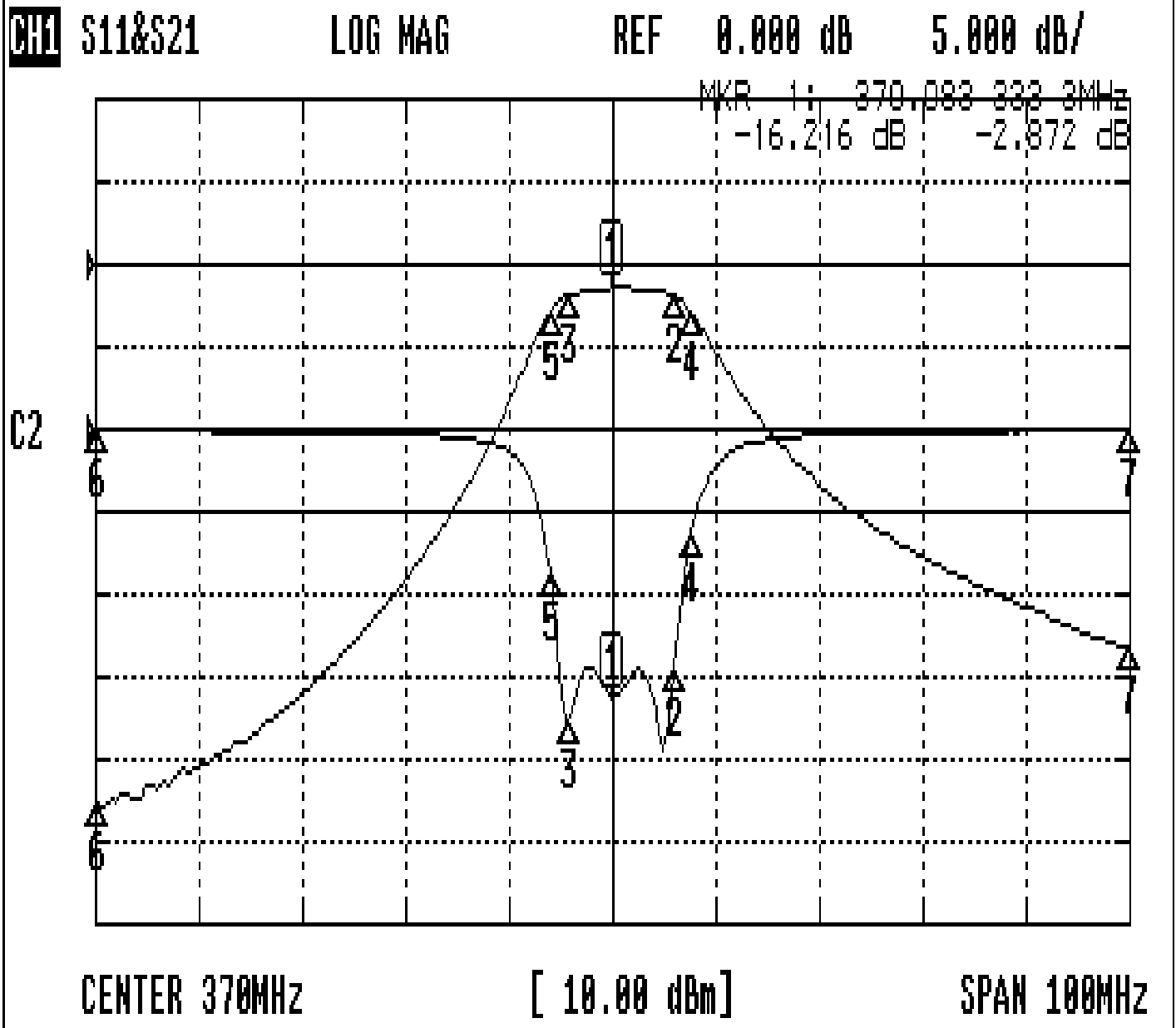
TEMWELL CORPORATION

TEMWELL

Form10-7H3BT Vision D

# Performance- K3BT-370M-10M

20402066DC



## CH1 MARKER LIST

1:	370.083MHz	-16.212 dB	-2.872 dB
2:	375.990MHz	-14.491 dB	-3.822 dB
3:	365.750MHz	-17.546 dB	-3.804 dB
4:	377.650MHz	-6.315 dB	-5.862 dB
5:	364.000MHz	-8.656 dB	-5.813 dB
6:	320.000MHz	-0.100 dB	-65.457 dB
7:	420.000MHz	-0.098 dB	-46.647 dB