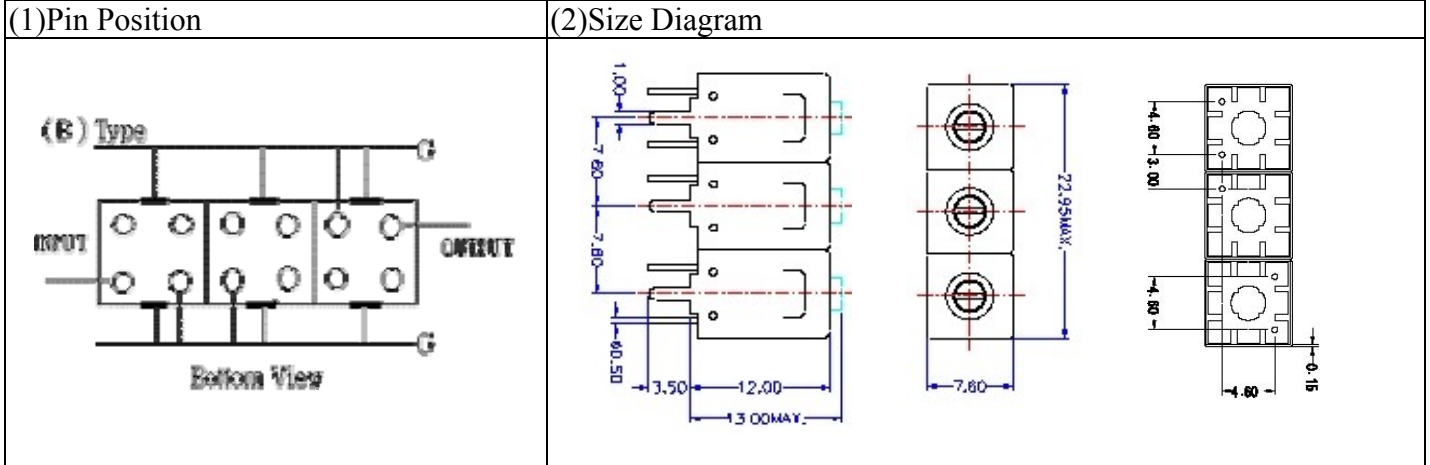


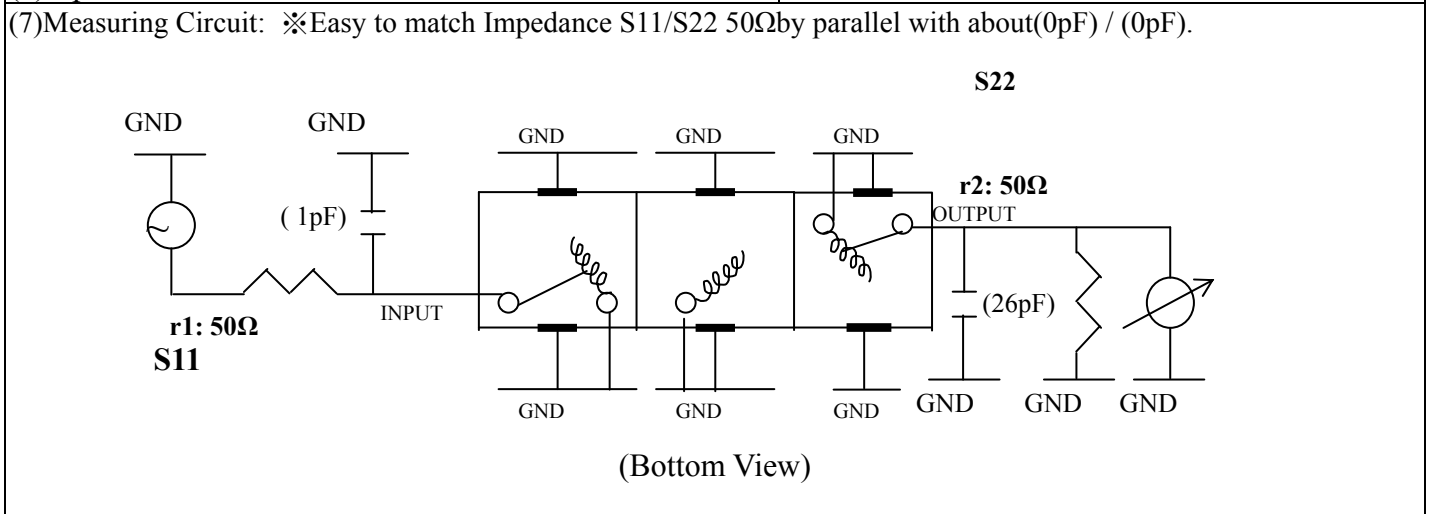
VHF UHF Helical Filter Specification Sheet

Customer Name		Temwell's Part No.	K3B-485M-20M
Approval No. /dated	0908079CD	Temwell's Print name.	K3B 485M
Work Instruction No.	200908079CD	Date	Sep.16.2009



(3) Electric Characteristic			
Item		Specify	Performance
Center Freq.(Fo) +/- 0.50 %		485 MHz	485 MHz
Insertion Loss		Typ. 2.5 dB	1.57 dB
-3 dB Bandwidth		Typ. 20 MHz	23 MHz
Sensitivity (Attenuation)	Fo - (50) MHz	Typ. 20 dBc	49 dBc
	Fo + (50) MHz	Typ. 18 dBc	31 dBc
	Fo - () MHz	Typ. dBc	dBc
	Fo + () MHz	Typ. dBc	dBc
Return Loss		Min. 12 dB	37.0 dB
Ripple		< 1 dB	dB
Impedance		In / Out : 50 Ω	In / Out : 50 Ω
(4) Torque for Tuning Screw		> 60gf • cm	

(5) Temperature Condition:	
Operating Temperature	0°C ~ +60°C
Storage Temperature	-20°C ~ +70°C
(6) Input Power	> 1 Watt



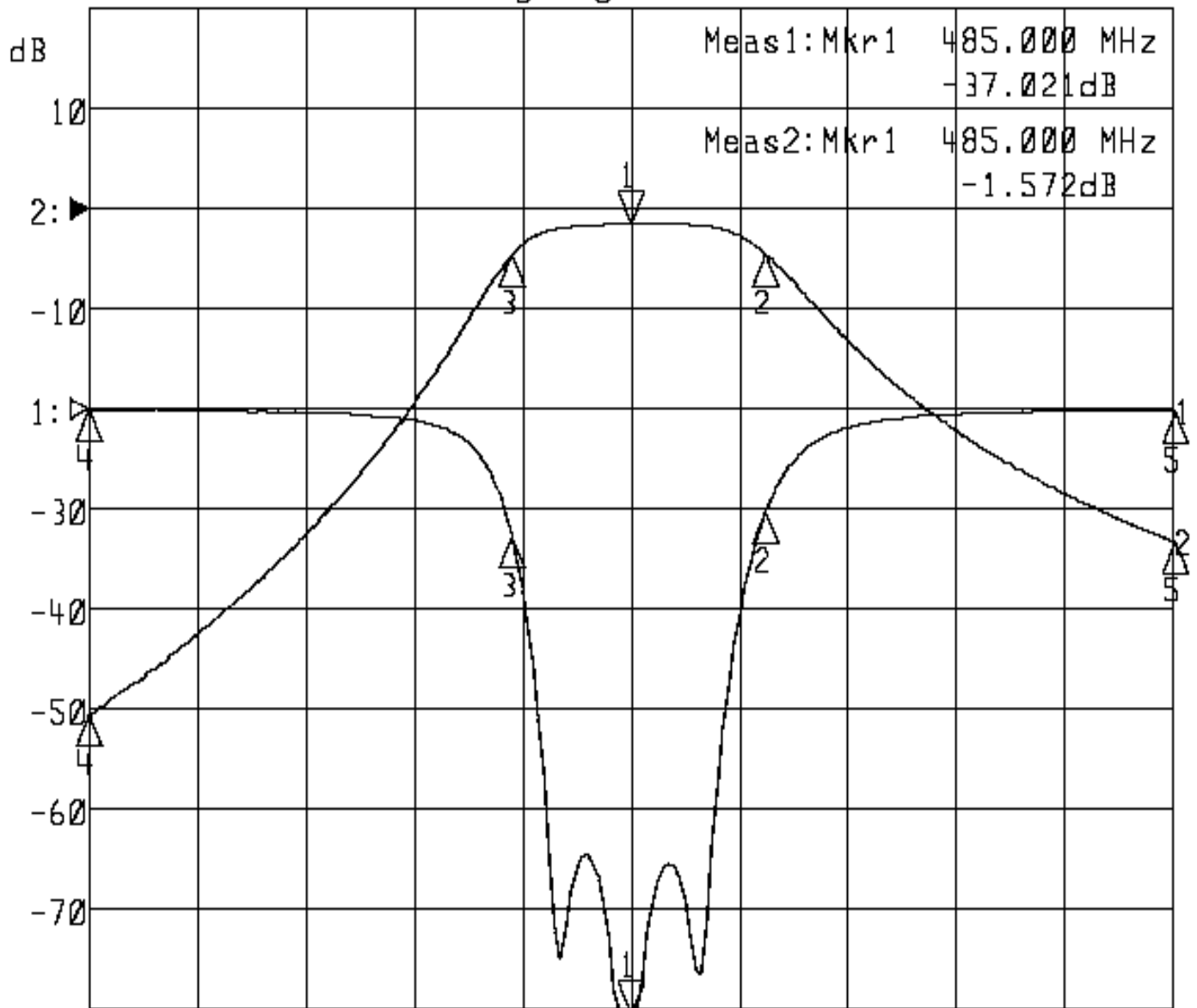
Approval	Supervisor	Designer	Aperture size
C.Y.Chang	C.K.Chang	J.F.Lin	7H2(4*6.5)(6.57) 7H046RB4

TEMWELL CORPORATION

Performance-K3B-485M-20M

200908079CD

►1:S11 Refl Port1 Log Mag 5.0 dB/ Ref 0.00 dB C
►2:S21 Fwd Trans Log Mag 10.0 dB/ Ref 0.00 dB C



Center 485.000 MHz

Span 100.000 MHz

1:Mkr (MHz)	dB	2:Mkr (MHz)	dB
1> 485.0000	-37.021	1> 485.0000	-1.572
2: 497.4667	-5.087	2: 497.4667	-4.550
3: 474.0667	-6.401	3: 474.0667	-4.561
4: 435.0000	-0.030	4: 435.0000	-50.623
5: 535.0000	-0.069	5: 535.0000	-33.192