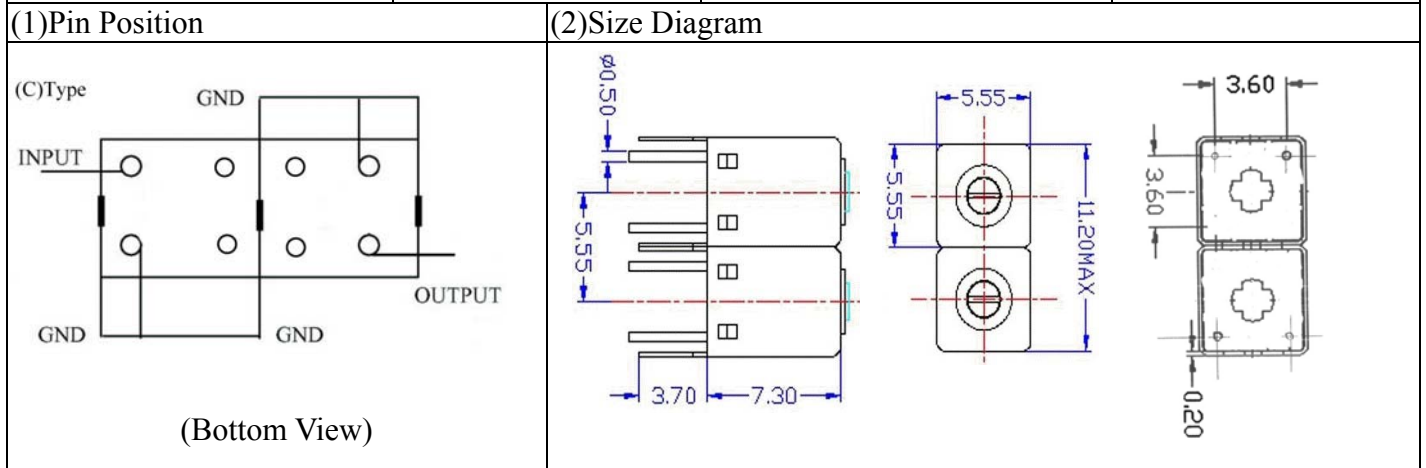


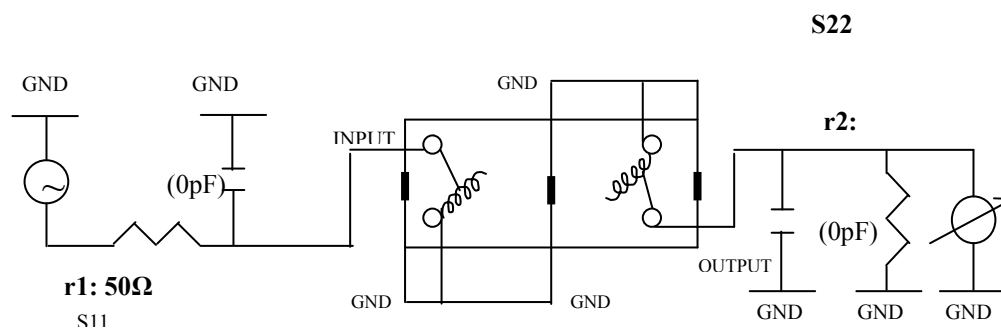
# VHF UHF Helical Filter Specification Sheet

Customer Name		Temwell's Part No.	K2RC-1225M-35M
Approval No. /dated	1002073CD	Temwell's print name.	K2RC 1225M
Work Instruction No.	201002073CD	Date	Mar.31.2010



(3) Electric Characteristic			
Item	Specify	Performance	
Center Freq.(Fo) +/- 0.5 %	1225 MHz	1225 MHz	
Insertion Loss	Typ. 3.5 dB	2.34 dB	
-3dB Bandwidth	Typ. 35 MHz	39.9 MHz	
Sensitivity (Attenuation)	Fo -100 MHz	Typ. 20 dBc	25 dBc
	Fo +100 MHz	Typ. 20 dBc	23 dBc
	Fo - ( )MHz	Typ. dBc	dBc
	Fo +( )MHz	Typ. dBc	dBc
Return Loss	Min. 12 dB	24.8 dB	
Ripple	< 1 dB	dB	
Impedance	In / Out : 50 Ω	In / Out : 50 Ω	
(4) Torque for Tuning Screw	>60 gf • cm		
(5) Temperature Condition:			
Operating Temperature	0°C ~ +60°C		
Storage Temperature	-20°C ~ +70°C		
(6) Input Power	> 0.5Watt		

(7) Measuring Circuit: ※Easy to match Impedance 50Ω by parallel with about (0) pF.



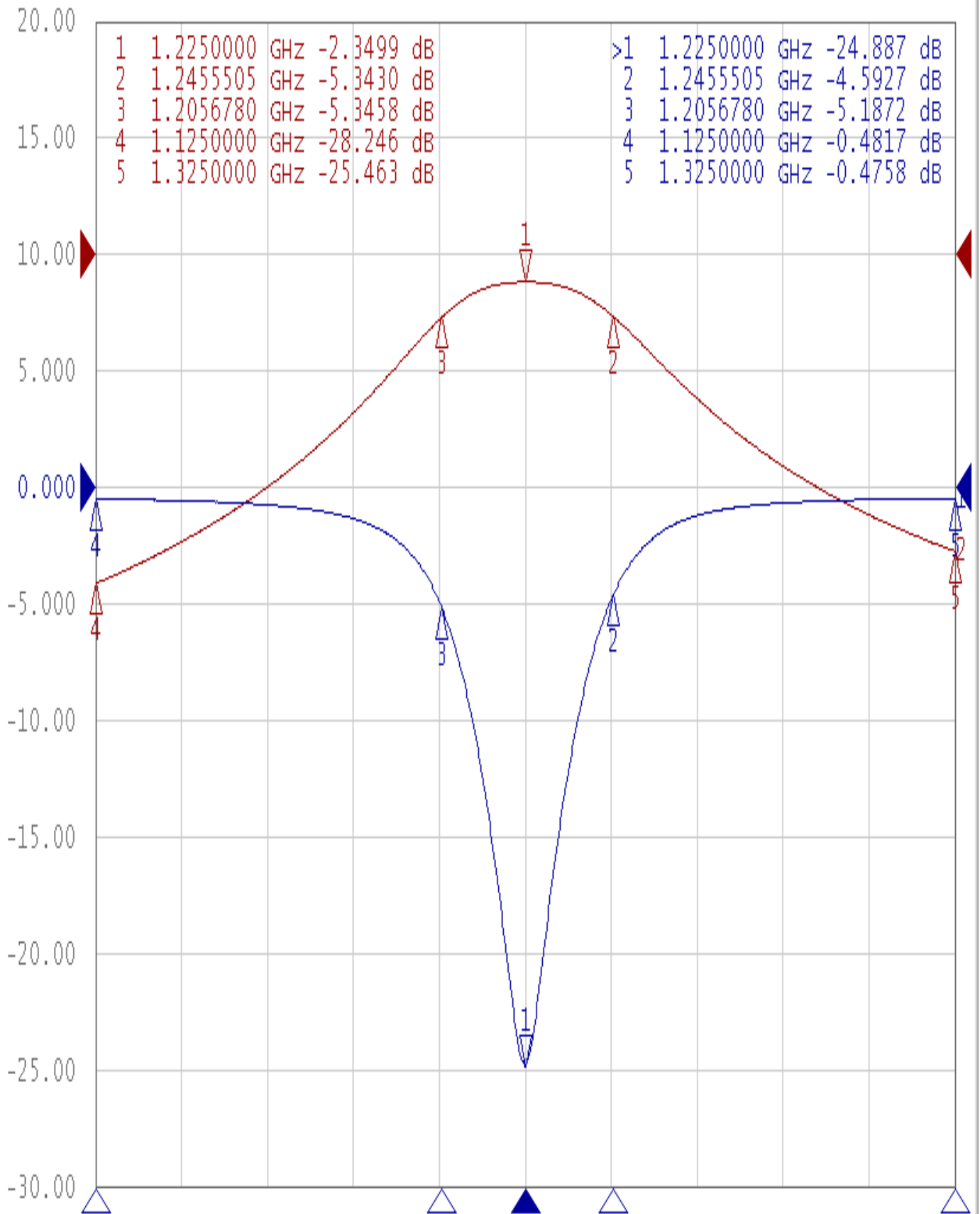
Approval	Supervisor	Designer	Aperture size
C.Y.Chang	C.K.Chang	C.S.Chang	5R2(3.8*4.65)(4.68) 5HW024RB3

TEMWELL CORPORATION

# Performance-K2RC-1225M-35M

## 201002073CD

▶ Tr1 S11 Log Mag 5.000dB/ Ref 0.000dB [F2]  
Tr2 S21 Log Mag 10.00dB/ Ref 0.000dB [F2]



1 Center 1.225 GHz

IFBW 10 kHz

Span 200 MHz Cor !