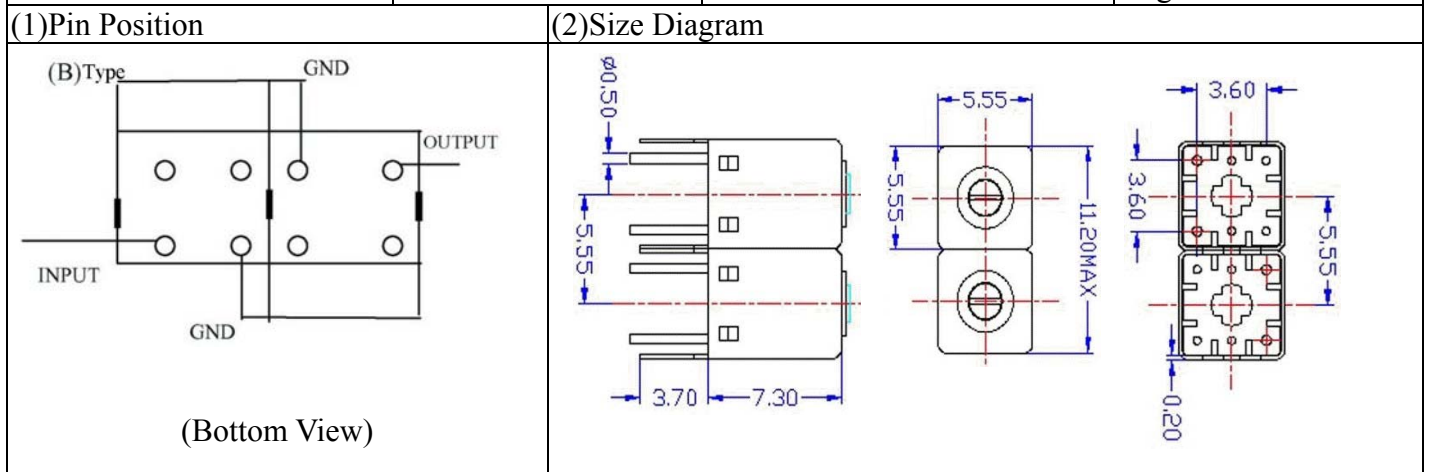


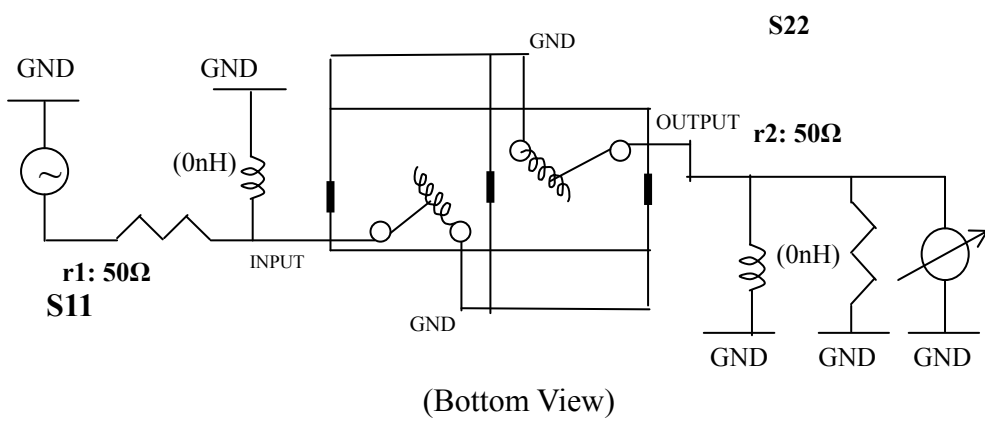
# VHF UHF Helical Filter Specification Sheet

Customer Name		Temwell's Part No.	K2RB-959M-25M
Approval No. /dated	0907078CD	Temwell's print name.	K2RB 959M
Work Instruction No.	200907078CD	Date	Aug.12.2009



(3) Electric Characteristic			
Item	Specify		Performance
Center Freq.(Fo) +/- 0.5 %	959	MHz	959 MHz
Insertion Loss	Typ. 3.5	dB	2.13 dB
-3 dB Bandwidth	Typ. 25	MHz	32.4 MHz
Sensitivity (Attenuation)	Fo - 100 MHz	Typ. 25 dBc	35 dBc
	Fo + 100 MHz	Typ. 20 dBc	26 dBc
	Fo - ( )MHz	Typ. dBc	dBc
	Fo + ( )MHz	Typ. dBc	dBc
Return Loss	Min. 12	dB	33.7 dB
Ripple	< 1	dB	dB
Impedance	In / Out : 50 Ω		In / Out : 50 Ω
(4) Torque for Tuning Screw			>60 gf • cm
(5) Temperature Condition:			
Operating Temperature	0°C ~ +60°C		
Storage Temperature	-20°C ~ +70°C		
(6) Input Power	> 1 Watt		

(7) Measuring Circuit: ※Easy to match Impedance 50Ω/75Ω by parallel with about ( 0 ) nH.



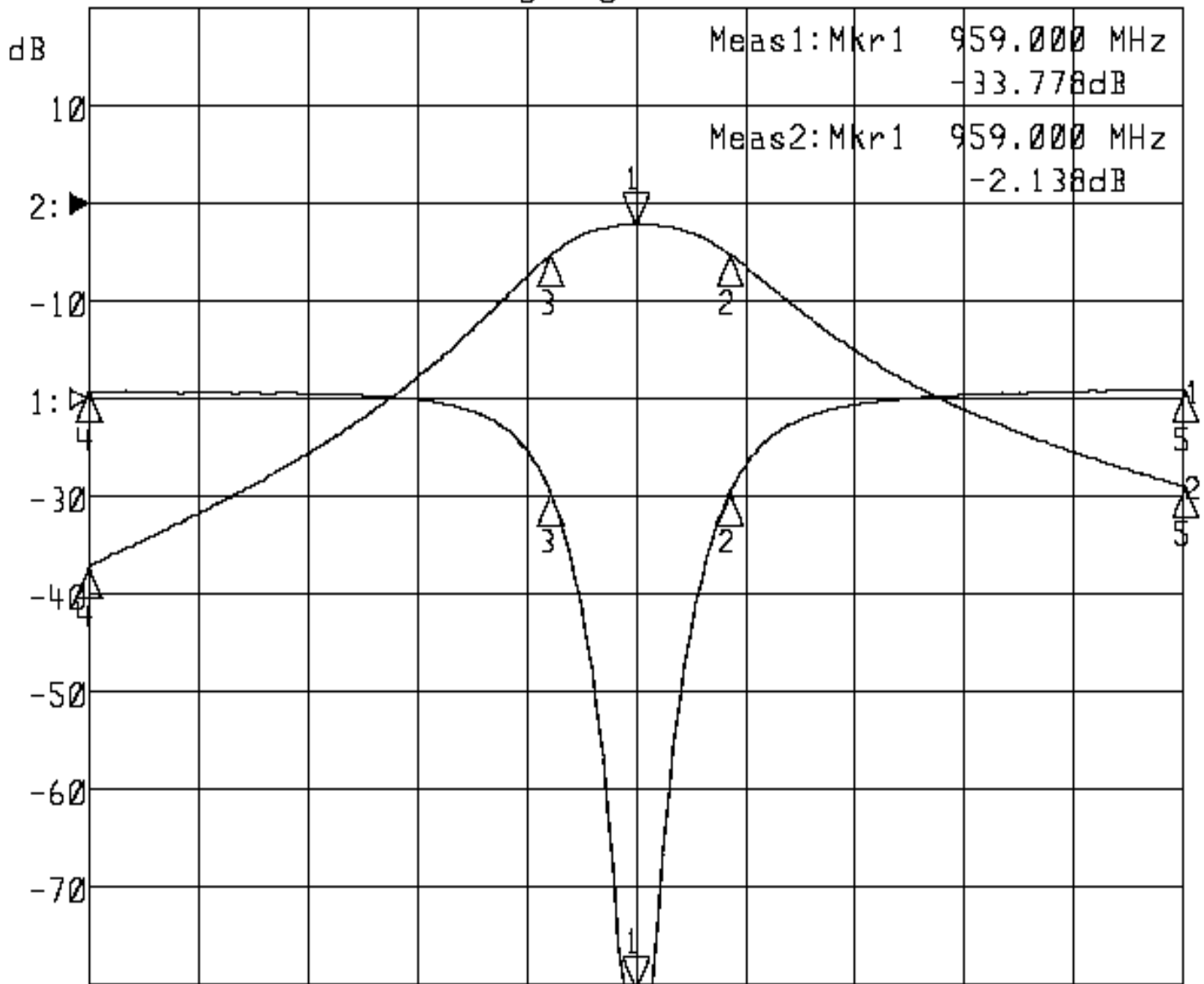
Approval	Supervisor	Designer	Aperture size
C.Y.Chang	C.K.Chang	F.L.Lai	5R2S(3.8*4.7)(4.71) 5HW024RB3

TEMWELL CORPORATION

# Performance-K2RB-959M-25M

## 200907078CD

▶1:S11 Refl Port1 Log Mag 5.0 dB/ Ref 0.00 dB C  
▶2:S21 Fwd Trans Log Mag 10.0 dB/ Ref 0.00 dB C



Center 959.000 MHz

Span 200.000 MHz

1:Mkr (MHz)	dB	2:Mkr (MHz)	dB
1> 959.0000	-33.778	1> 959.0000	-2.138
2: 976.0667	-4.877	2: 976.0667	-5.145
3: 943.6000	-4.914	3: 943.6000	-5.195
4: 859.0000	0.318	4: 859.0000	-37.152
5: 1059.0000	0.420	5: 1059.0000	-28.919