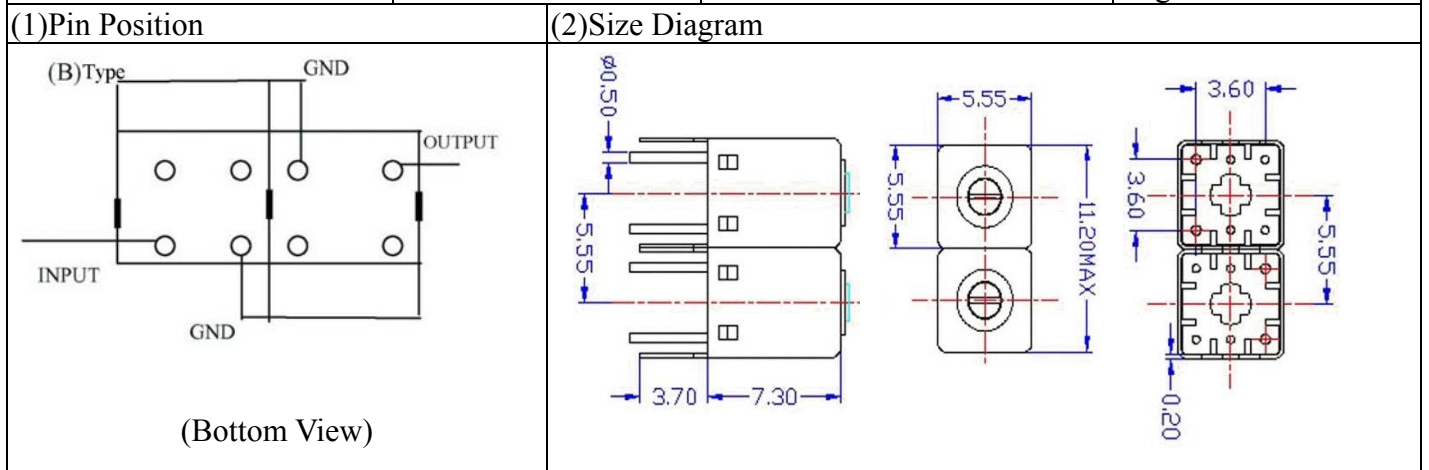


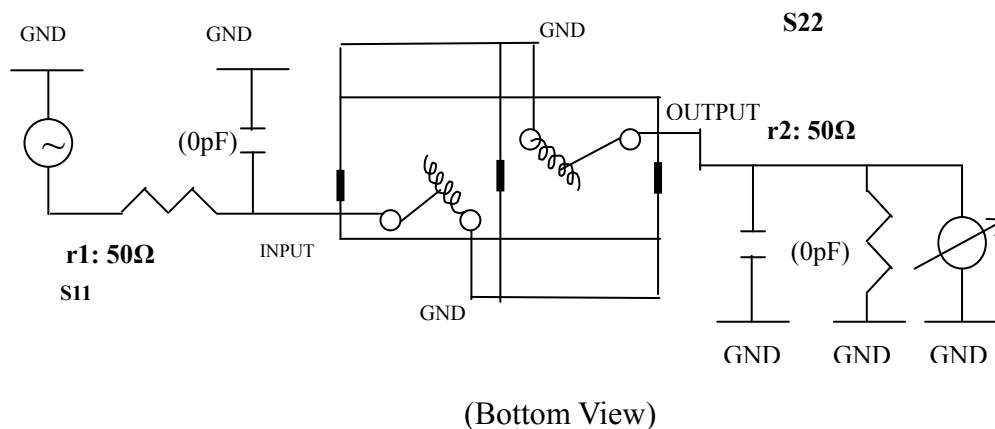
# VHF UHF Helical Filter Specification Sheet

Customer Name		Temwell's Part No.	K2RB-670M-20M
Approval No. /dated	0907073CD	Temwell's print name.	K2RB 670M
Work Instruction No.	200907073CD	Date	Aug.03.2007



(3) Electric Characteristic			
Item	Specify	Performance	
Center Freq.(Fo) +/- 0.5 %	670 MHz	670 MHz	
Insertion Loss	Typ. 3.0 dB	2.18 dB	
-3 dB Bandwidth	Typ. 20 MHz	23.5 MHz	
Sensitivity (Attenuation)	Fo - 100 MHz	Typ. 30 dBc	53 dBc
	Fo + 100 MHz	Typ. 25 dBc	34 dBc
	Fo - ( )MHz	Typ. dBc	dBc
	Fo + ( )MHz	Typ. dBc	dBc
Return Loss	Min. 12 dB	23.4 dB	
Ripple	< 1 dB	dB	
Impedance	In / Out : 50 Ω	In / Out : 50 Ω	
(4) Torque for Tuning Screw		> 60gf · cm	
(5) Temperature Condition:			
Operating Temperature	0°C ~ +60°C		
Storage Temperature	-20°C ~ +70°C		
(6) Input Power		> 0.5Watt	

(7) Measuring Circuit: ※ Easy to match Impedance 50Ω by parallel with about (0) pF.



Approval	Supervisor	Designer	Aperture size
C.Y,Chang	C.K.Chang	W.W.Wang	5R2(3.8*3.7)(3.74)

TEMWELL CORPORATION

TEMWELL

Form10-5R2B Vision D RP( w.w.w )

