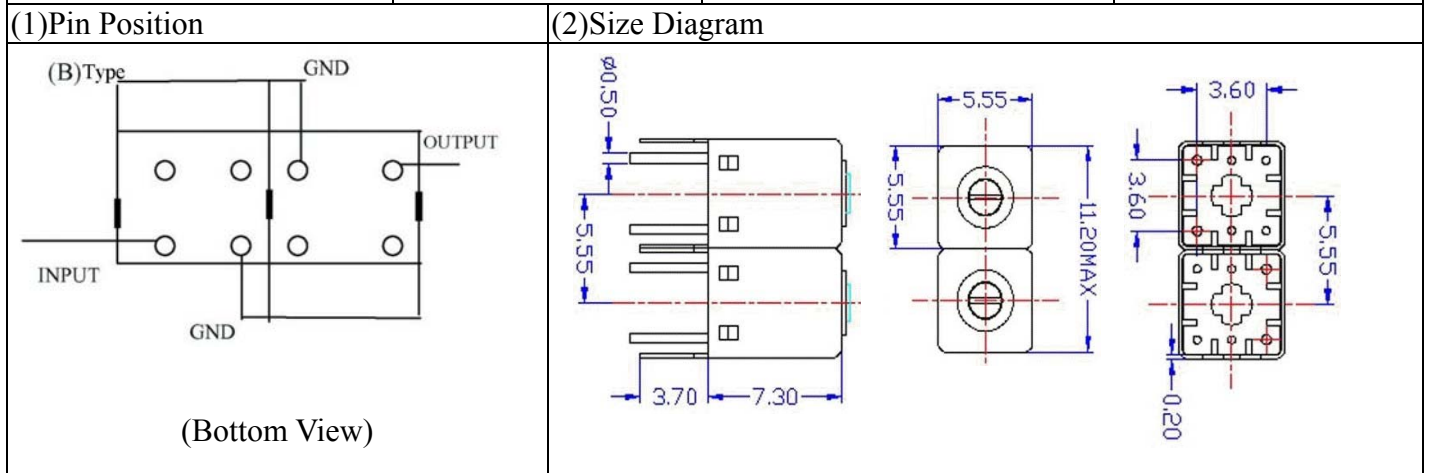


VHF UHF Helical Filter Specification Sheet

Customer Name		Temwell's Part No.	K2RB-625M-14M
Approval No. /dated	0907072CD	Temwell's print name.	
Work Instruction No.	200907072CD	Date	Jul.28.2009



(3) Electric Characteristic

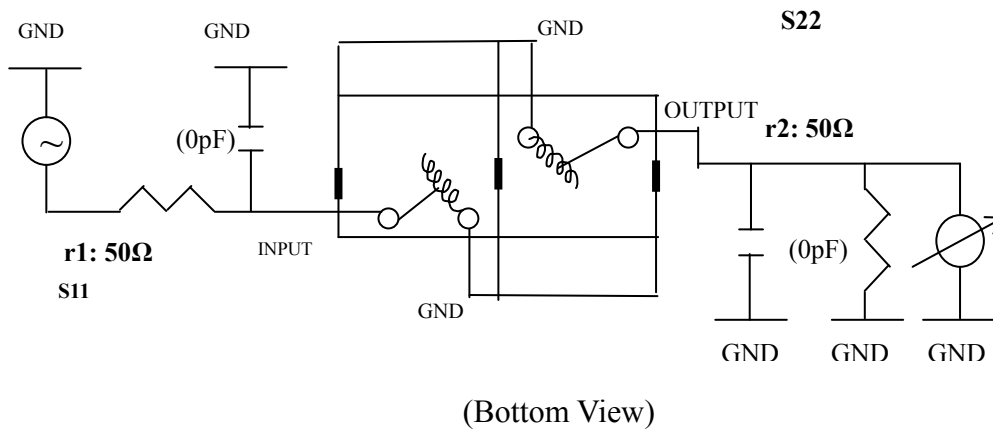
Item	Specify	Performance	
Center Freq.(Fo) +/- 0.5 %	625 MHz	625 MHz	
Insertion Loss	Typ. 3.0 dB	2.40 dB	
-3 dB Bandwidth	Typ. 14 MHz	19.2 MHz	
Sensitivity (Attenuation)	Fo - 50 MHz	Typ. 20 dBc	30 dBc
	Fo + 50 MHz	Typ. 16 dBc	25 dBc
	Fo - ()MHz	Typ. dBc	dBc
	Fo + ()MHz	Typ. dBc	dBc
Return Loss	Min. 12 dB	26.7 dB	
Ripple	< 1 dB	dB	
Impedance	In / Out : 50 Ω	In / Out : 50 Ω	

(4) Torque for Tuning Screw > 60gf · cm

(5) Temperature Condition:
 Operating Temperature 0°C ~ +60°C
 Storage Temperature -20°C ~ +70°C

(6) Input Power > 0.5Watt

(7) Measuring Circuit: ※Easy to match Impedance 50Ω by parallel with about (0) pF.



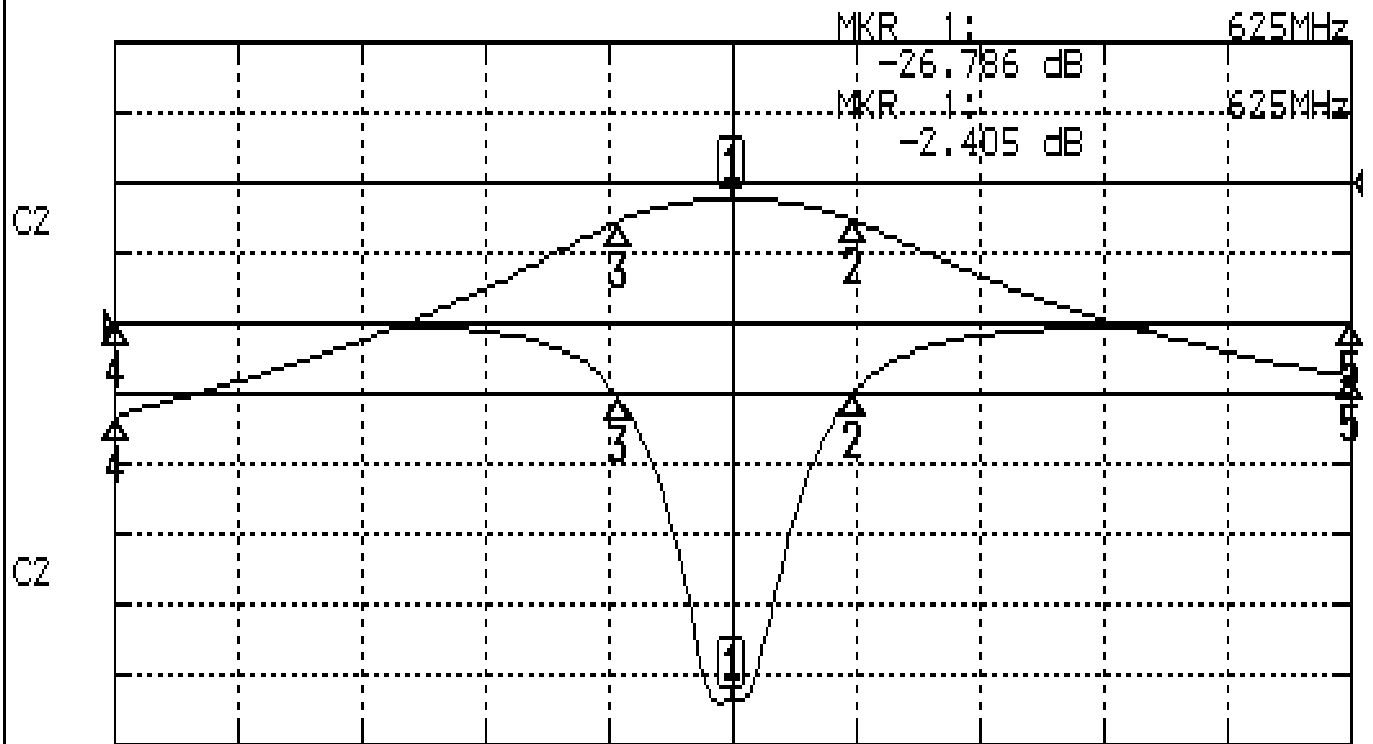
Approval	Supervisor	Designer	Aperture size
C.Y.Chang	C.K.Chang	W.W.Wang	5R2(3.8*3.7)(3.74) 5HW024RB3

TEMWELL CORPORATION

Performance-K2RB-625M-14M

200907072CD

CH1 S11 LOG MAG REF 0.000 dB 5.000 dB/
CH2 S21 LOG MAG REF 0.003 dB 10.000 dB/



CENTER 625MHz

[10.00 dBm]

SPAN 100MHz

CH1 MARKER LIST

1:	625.000MHz	-26.772	dB
2:	634.916MHz	-4.918	dB
3:	615.750MHz	-5.171	dB
4:	575.000MHz	0.082	dB
5:	675.000MHz	0.053	dB

CH2 MARKER LIST

1:	625.000MHz	-2.408	dB
2:	634.916MHz	-4.413	dB
3:	615.750MHz	-4.299	dB
4:	575.000MHz	-2.260	dB
5:	675.000MHz	-27.659	dB