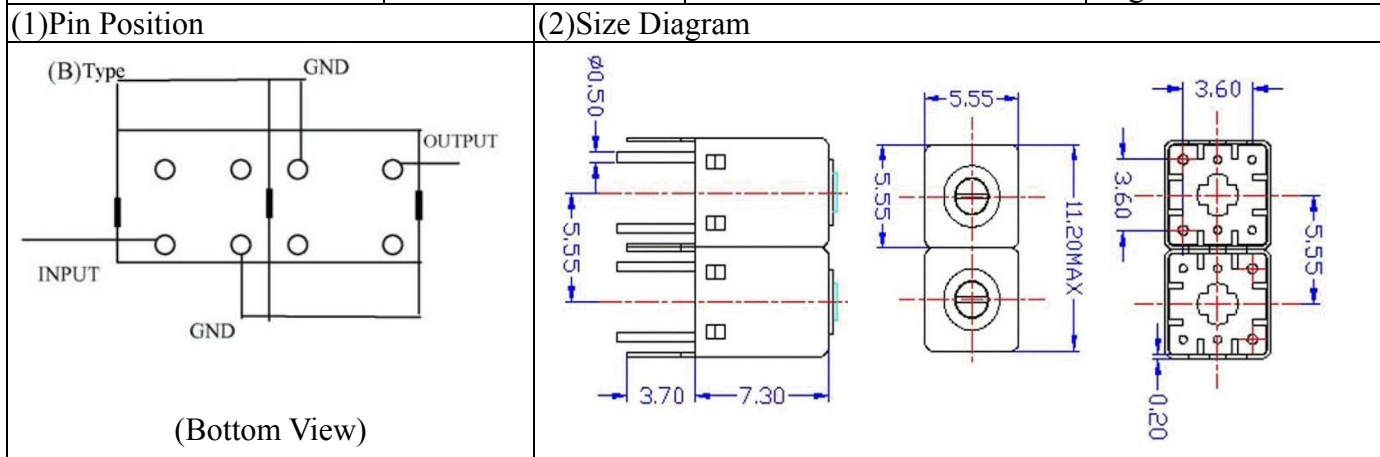


VHF UHF Helical Filter Specification Sheet

Customer Name		Temwell's Part No.	K2RB-474M-11M
Approval No. /dated	0907067CD	Temwell's print name.	K2RB 474M
Work Instruction No.	200907067CD	Date	Aug.10.2009



(3)Electric Charasteric

Item	Specify	Performance	
Center Freq.(Fo) +/- 0.5 %	474 MHz	474 MHz	
Insertion Loss	Typ. 3.5 dB	3.19 dB	
-3 dB Bandwidth	Typ. 11 MHz	14.4 MHz	
Sensitivity (Attenuation)	Fo - 50 MHz	Typ. 22 dBc	29 dBc
	Fo + 50 MHz	Typ. 25 dBc	36 dBc
	Fo - ()MHz	Typ. dBc	dBc
	Fo +()MHz	Typ. dBc	dBc
Return Loss	Min. 12 dB	28.4 dB	
Ripple	< 1 dB	dB	
Impedance	In / Out : 50 Ω	In / Out : 50 Ω	

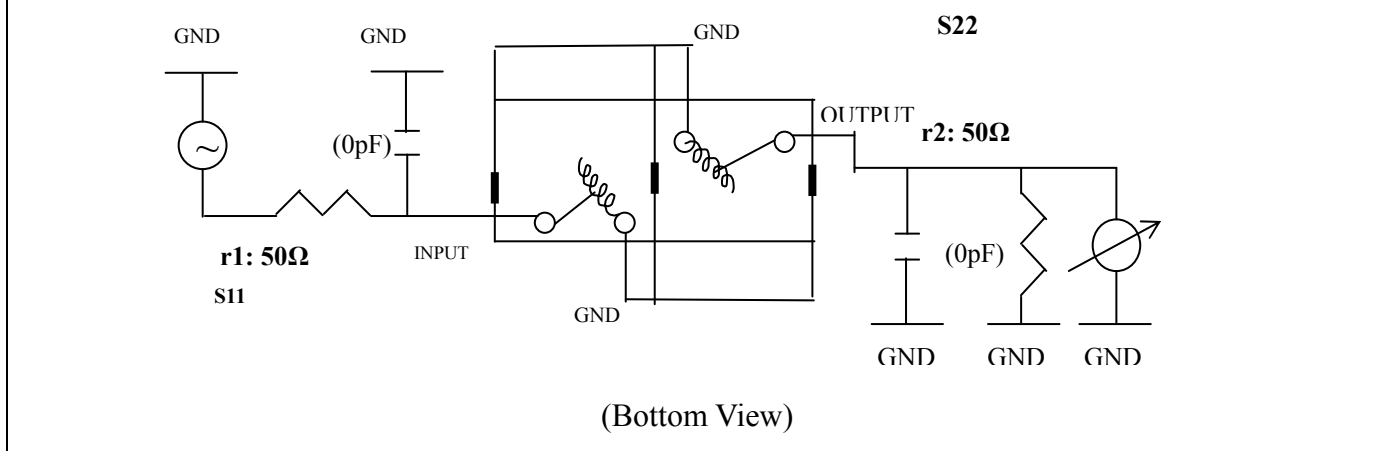
(4)Torque for Tuning Screw > 60gf · cm

(5)Temperature Condition:

Operating Temperature	0°C ~ +60°C
Storage Temperature	-20°C ~ +70°C

(6)Input Power >0.5Watt

(7)Measuring Circuit: ※Easy to match Impedance 50Ω by parallel with about (0) pF.



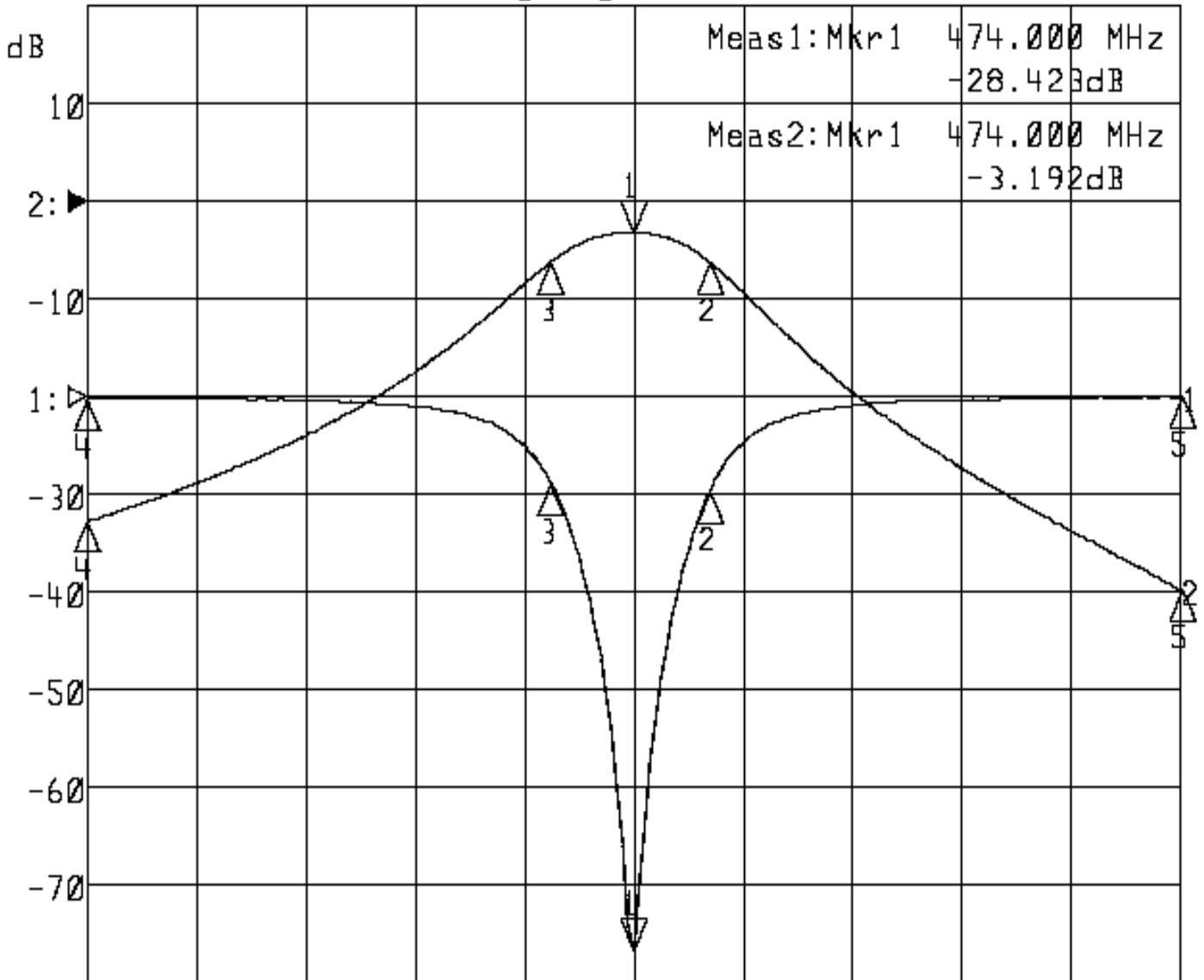
Approval	Supervisor	Designer	Aperture size
C.Y.Chang	C.K.Chang	J.F.Lin	5R2S(3.8*3.7)(3.71) 5HW024RB3

TEMWELL CORPORATION

Performance-K2RB-474M-11M

200907067CD

►1:S11 Refl Port1 Log Mag 5.0 dB/ Ref 0.00 dB C
►2:S21 Fwd Trans Log Mag 10.0 dB/ Ref 0.00 dB C



Center 474.000 MHz

Span 100.000 MHz

1:Mkr (MHz)	dB	2:Mkr (MHz)	dB
1> 474.0000	-28.423	1> 474.0000	-3.192
2: 480.9333	-4.876	2: 480.9333	-6.175
3: 466.5000	-4.450	3: 466.5000	-6.163
4: 424.0000	-0.107	4: 424.0000	-32.842
5: 524.0000	-0.059	5: 524.0000	-39.799