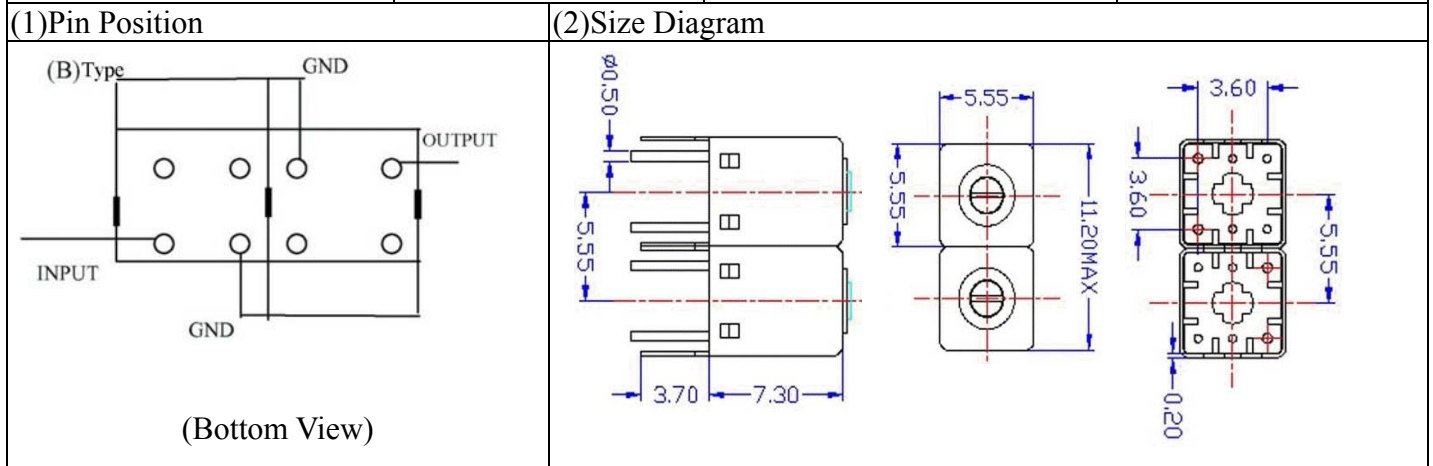


VHF UHF Helical Filter Specification Sheet

Customer Name		Temwell's Part No.	K2RB-430M-10M
Approval No. /dated	0904111CD	Temwell's print name.	K2RB 430M
Work Instruction No.	200904111CD	Date	Jun.03.2009



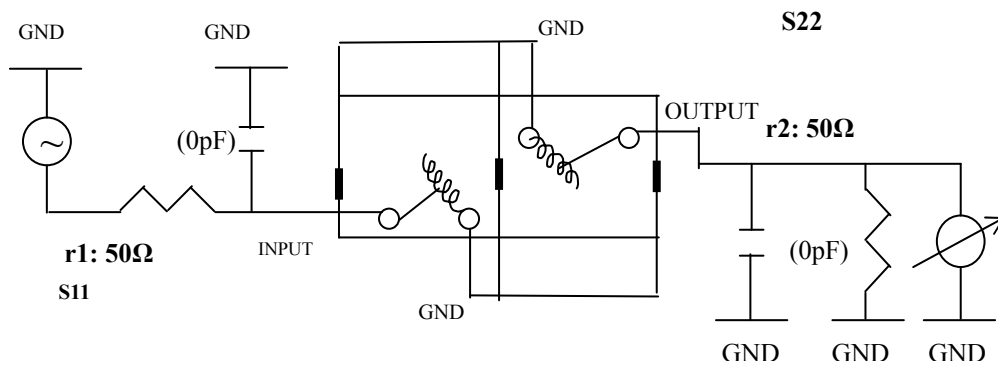
(3) Electric Characteristic			
Item		Specify	Performance
Center Freq.(Fo) +/- 0.5 %		430 MHz	430 MHz
Insertion Loss		Typ. 3.5 dB	2.24 dB
-3 dB Bandwidth		Typ. 10 MHz	16.8 MHz
Sensitivity (Attenuation)	Fo - 50 MHz	Typ. 25 dBc	26 dBc
	Fo + 50 MHz	Typ. 25 dBc	32 dBc
	Fo - ()MHz	Typ. dBc	dBc
	Fo +()MHz	Typ. dBc	dBc
Return Loss		Min. 12 dB	23.9 dB
Ripple		< 1 dB	dB
Impedance		In / Out : 50 Ω	In / Out : 50 Ω

(4) Torque for Tuning Screw > 60gf • cm

(5) Temperature Condition:	
Operating Temperature	0°C ~ +60°C
Storage Temperature	-20°C ~ +70°C

(6) Input Power > 0.5Watt

(7) Measuring Circuit: ※ Easy to match Impedance 50Ω by parallel with about (0) pF.



(Bottom View)

Approval C.Y.Chang	Supervisor C.K.Chang	Designer J.F.Lin	Aperture size 5R2S(3.8*3.7)(3.80) 5HW024LB3
-----------------------	-------------------------	---------------------	---

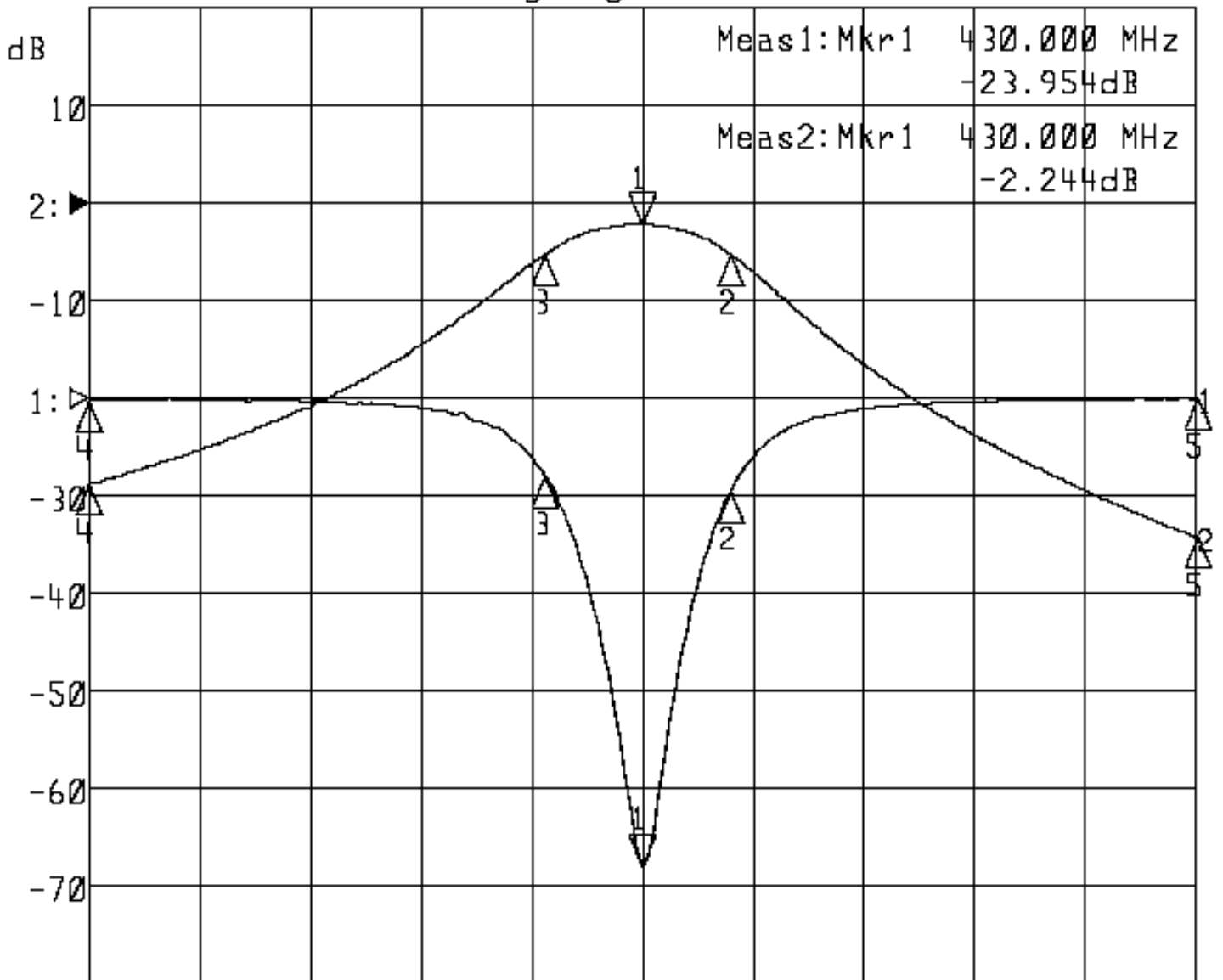
TEMWELL CORPORATION

Performance-K2RB-430M-10M

200904111CD

▶1:S11 Refl Port1 Log Mag 5.0 dB/ Ref 0.00 dB C

▶2:S21 Fwd Trans Log Mag 10.0 dB/ Ref 0.00 dB C



Center 430.000 MHz

Span 100.000 MHz

1: Mkr (MHz)	dB	2: Mkr (MHz)	dB
1> 430.0000	-23.954	1> 430.0000	-2.244
2: 438.0000	-4.779	2: 438.0000	-5.286
3: 421.2333	-3.967	3: 421.2333	-5.247
4: 380.0000	-0.076	4: 380.0000	-28.810
5: 480.0000	-0.058	5: 480.0000	-34.281