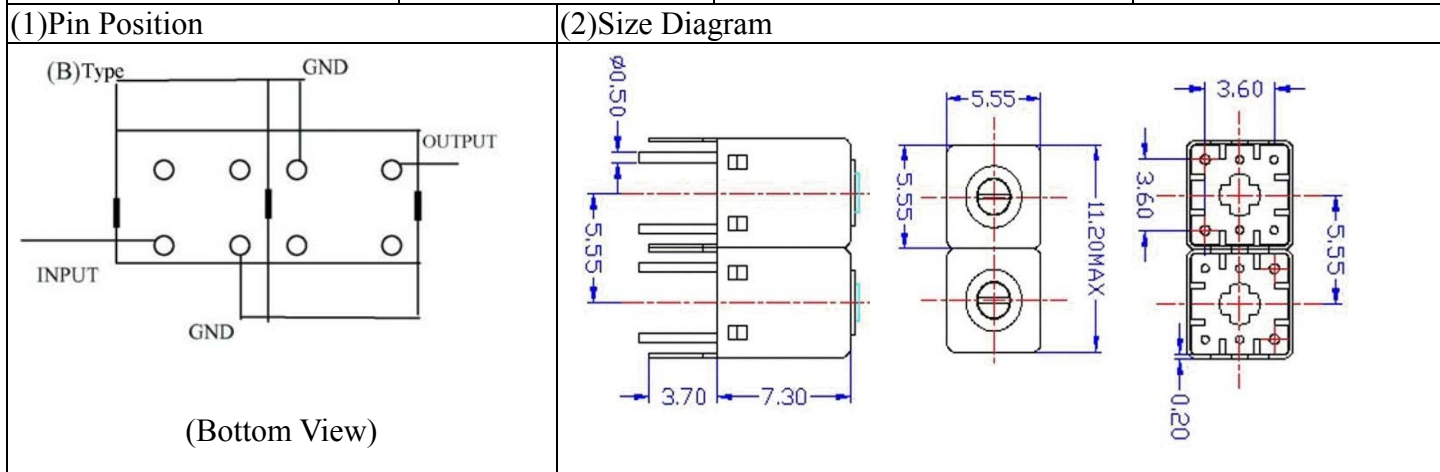


VHF UHF Helical Filter Specification Sheet

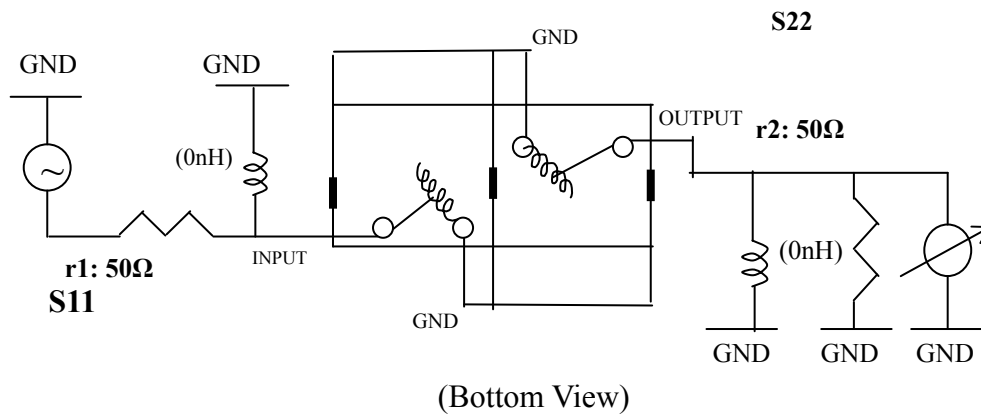
Customer Name		Temwell's Part No.	K2RB-425M-10M
Approval No. /dated	0904110CD	Temwell's print name.	K2RB 425M
Work Instruction No.	200904110CD	Date	Jun.26.2009



(3)Electric Characteric		Specify	Performance
Center Freq.(Fo) +/- 0.5 %		425 MHz	425 MHz
Insertion Loss		Typ. 3.5 dB	2.47 dB
-3 dB Bandwidth		Typ. 10 MHz	15.3 MHz
Sensitivity (Attenuation)	Fo - 50 MHz	Typ. 25 dBc	27 dBc
	Fo +50 MHz	Typ. 25 dBc	34 dBc
	Fo - ()MHz	Typ. dBc	dBc
	Fo +()MHz	Typ. dBc	dBc
Return Loss		Min. 12 dB	20.5 dB
Ripple		< 1 dB	dB
Impedance		In / Out : 50 Ω	In / Out : 50 Ω
(4)Torque for Tuning Screw		> 100gf • cm	

(5)Temperature Condition:	
Operating Temperature	0°C ~ +60°C
Storage Temperature	-20°C ~ +70°C
(6)Input Power	> 0.5Watt

(7)Measuring Circuit: ※Easy to match Impedance S11/S22 50Ω by parallel with about (0nH)/(0nH).

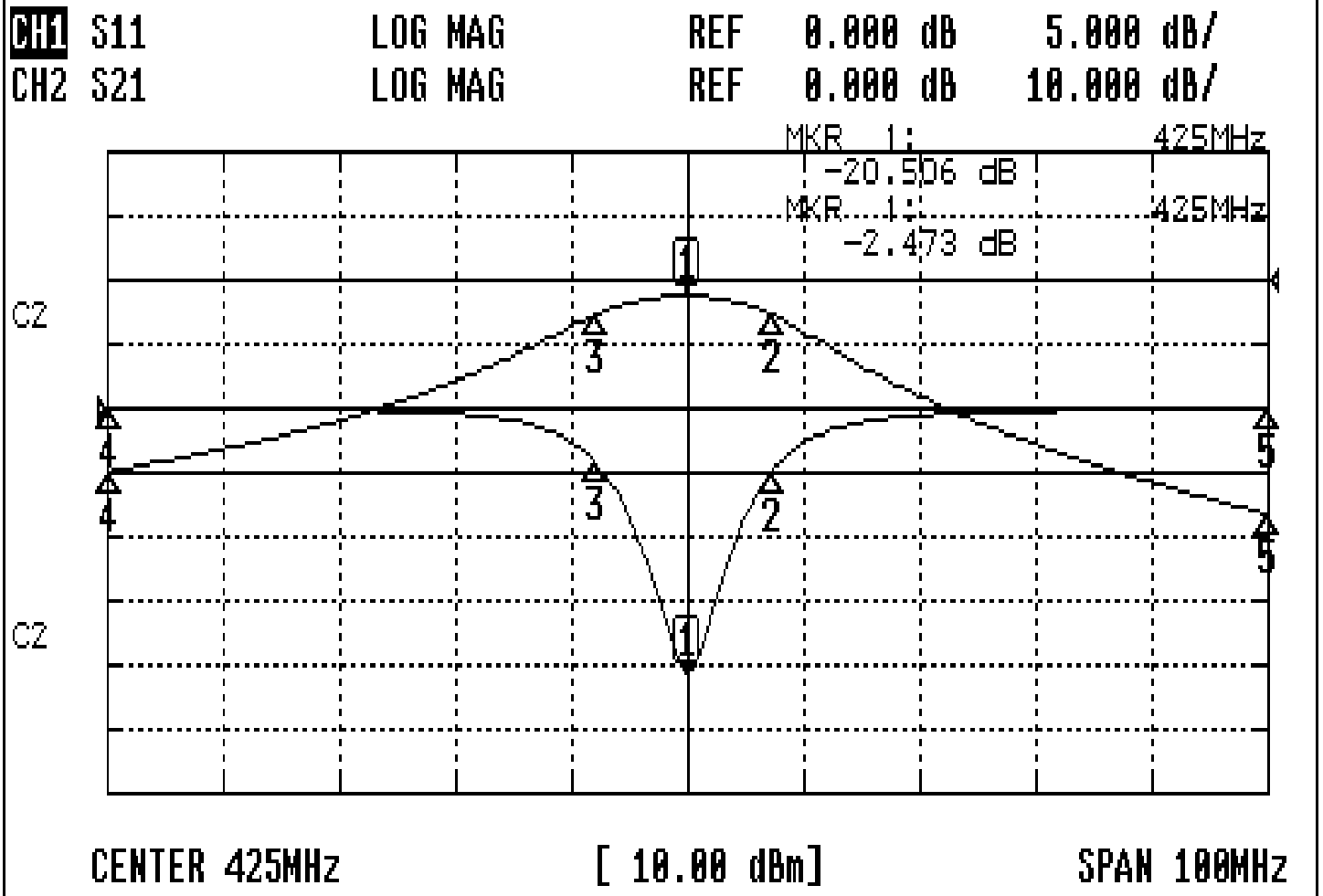


Approval	Supervisor	Designer	Aperture size
C.Y.Chang	C.K.Chang	Fun	5R2S(3.8*3.7)(3.79) (5HW024LB3)

TEMWELL CORPORATION

Performance-K2RB-425M-10M

200904110CD



CH1 MARKER LIST

1:	425.000MHz	-20.506 dB
2:	432.333MHz	-4.881 dB
3:	417.000MHz	-4.077 dB
4:	375.000MHz	0.005 dB
5:	475.000MHz	0.002 dB
6:		
7:		
8:		
9:		
10:		

CH2 MARKER LIST

1:	425.000MHz	-2.473 dB
2:	432.333MHz	-11.411 dB
3:	417.000MHz	-11.450 dB
4:	375.000MHz	-29.853 dB
5:	475.000MHz	-36.473 dB
6:		
7:		
8:		
9:		
10:		