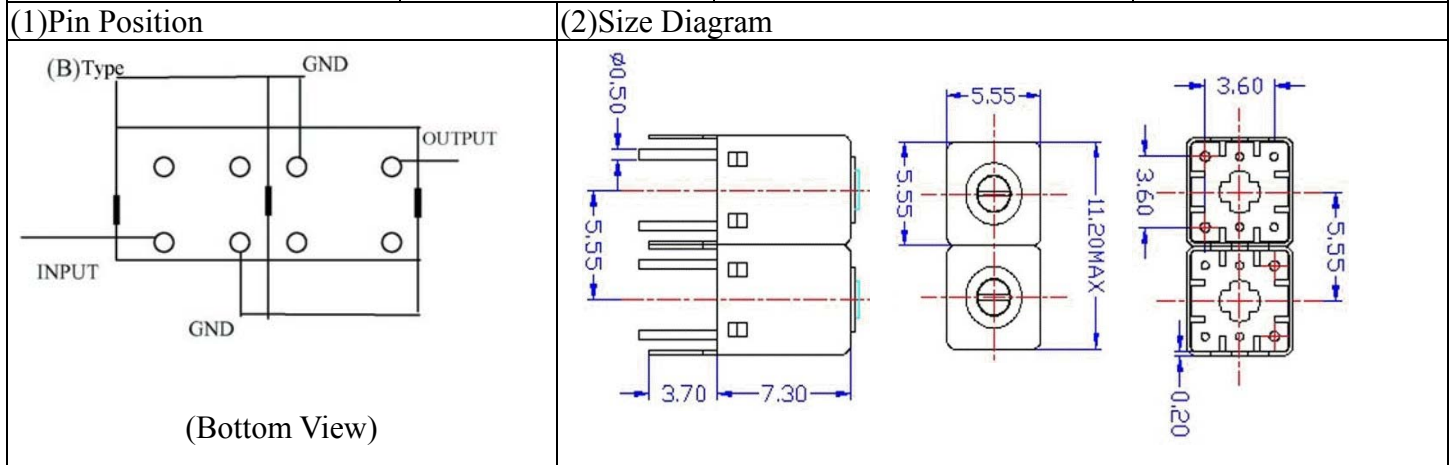
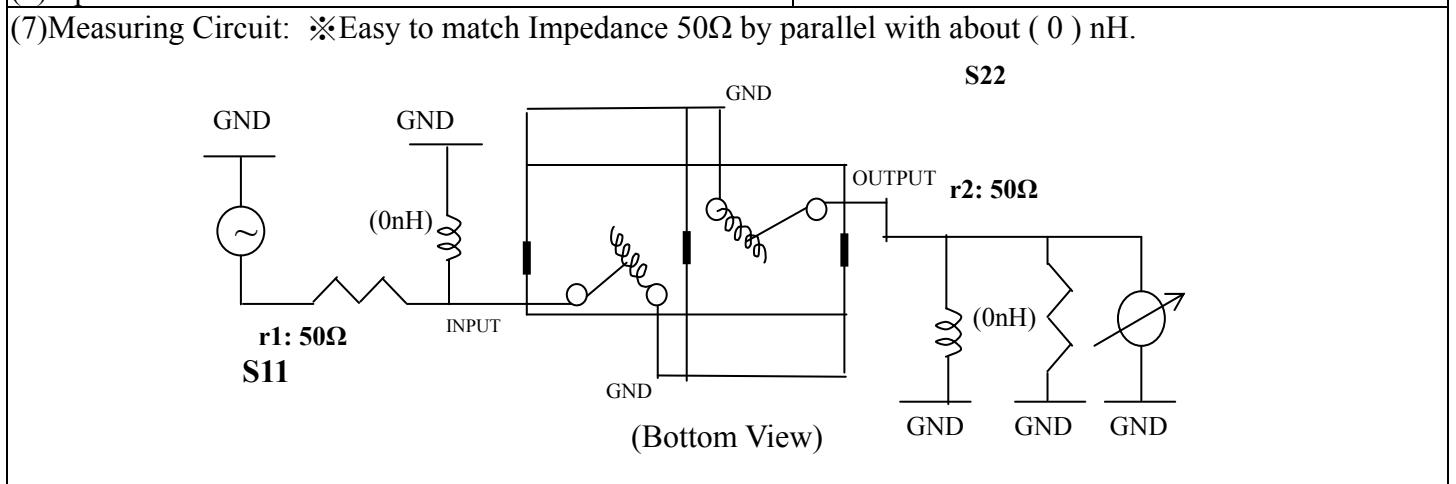


# VHF UHF Helical Filter Specification Sheet

Customer Name		Temwell's Part No.	K2RB-365M-10M
Approval No. /dated	200901006CD	Temwell,s print name.	K2RB 365M
Work Instruction No.	200901006CD	Date	Jan.09.2009



(3)Electric Charasteric			
Item		Specify	Performance
Center Freq.(Fo ) +/- 0.5 %		365 MHz	365 MHz
Tunable Range:		365±4 MHz	365±4 MHz
Insertion Loss		Typ. 3.5 dB	2.13 dB
-3 dB Bandwidth		Typ. 10 MHz	18.4 MHz
Sensitivity (Attenuation)	Fo - 50 MHz	Typ. 25 dB	28 dB
	Fo + 50 MHz	Typ. 25 dB	31 dB
	Fo - ( )MHz	Typ. dB	dB
	Fo +( )MHz	Typ. dB	dB
Return Loss		Min. 12 dB	39.3 dB
Ripple		< 1 dB	dB
Impedance		In / Out : 50 Ω	In / Out : 50 Ω
(4)Torque for Tuning Screw		> 60gf • cm	
(5)Temperature Condition:			
Operating Temperature		0°C ~ +60°C	
Storage Temperature		20°C ~ +70°C	
(6)Input Power		> 0.5Watt	



Approval C.Y.Chang	Supervisor C.S.Chang	Designer C.S.Chang	Aperture size 5R2(3.8*3.65)(3.68) 5HW020RB3.5
-----------------------	-------------------------	-----------------------	---

TEMWELL CORPORATION

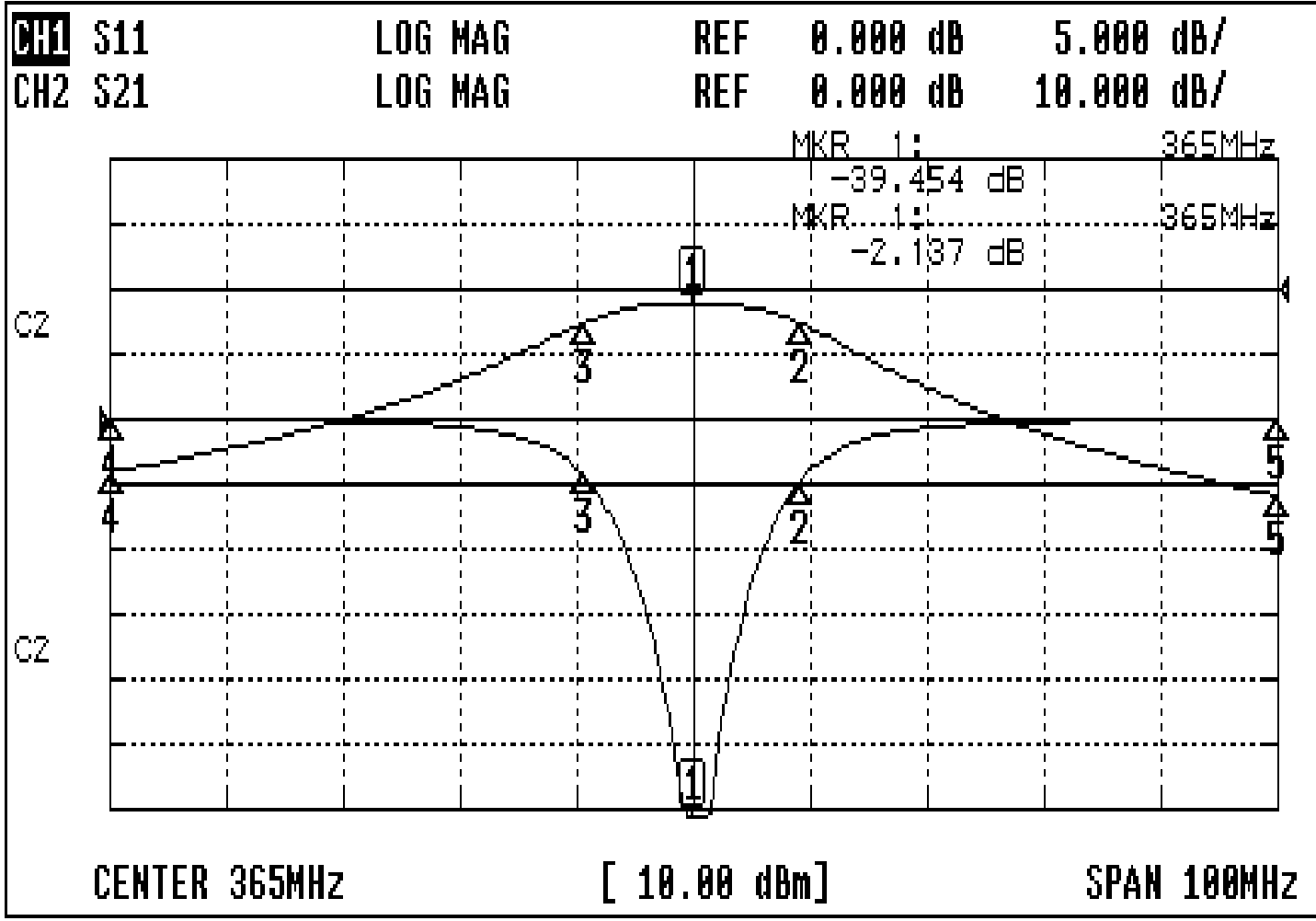
TEMWELL

Form10-5R2B Vision D

RP(C.S.C)

# Performance- K2RB-365M-10M

## 200901006CD



### CH1 MARKER LIST

1:	365.000MHz	-39.384	dB
2:	374.000MHz	-4.986	dB
3:	355.666MHz	-4.359	dB
4:	315.000MHz	-0.029	dB
5:	415.000MHz	0.011	dB

### CH2 MARKER LIST

1:	365.000MHz	-2.137	dB
2:	374.000MHz	-5.129	dB
3:	355.666MHz	-5.101	dB
4:	315.000MHz	-28.084	dB
5:	415.000MHz	-31.805	dB