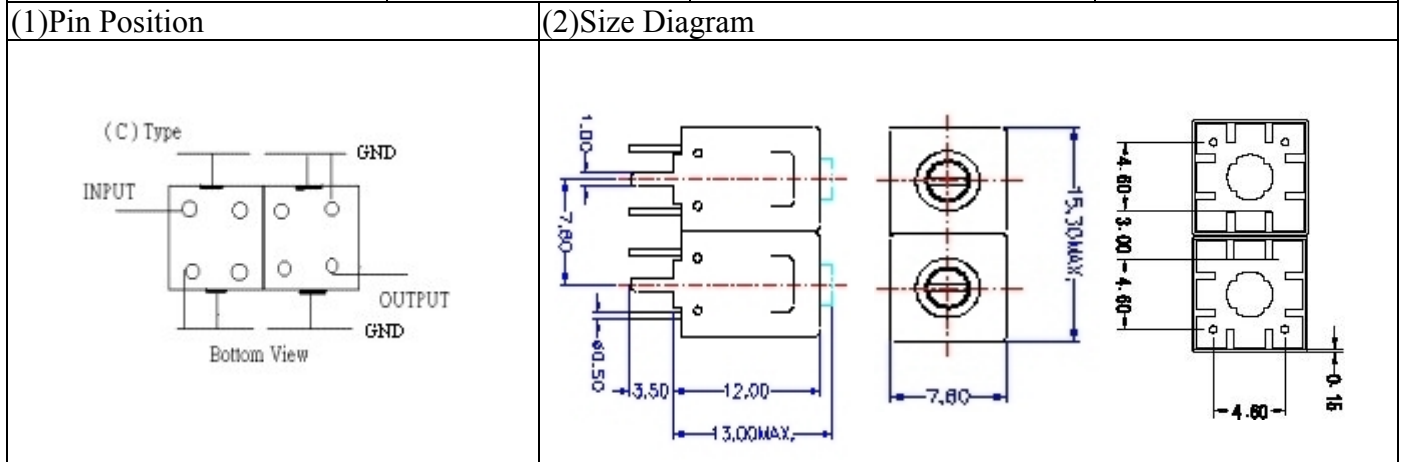


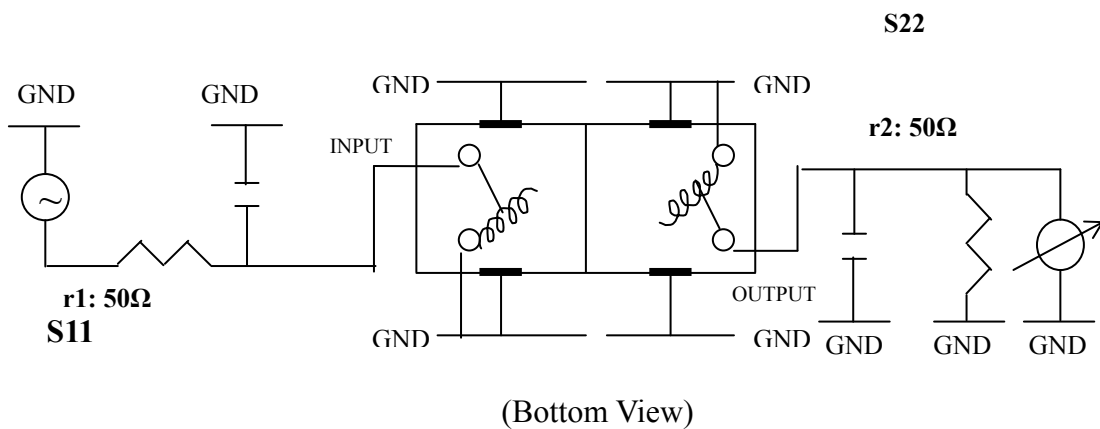
# VHF UHF Helical Filter Specification Sheet

Customer Name		Temwell's Part No.	K2C-870M-25M
Approval No. /dated	201010091CD	Temwell's Print name.	K2C 870M
Work Instruction No.	201010091CD	Date	Oct.27.2010



(3) Electric Characteristic		Item	Specify	Performance
Center Freq.(Fo ) +/- 0.75 %			870 MHz	870 MHz
Insertion Loss		Typ.	2.5 dB	1.47 dB
-3 dB Bandwidth		Typ.	25 MHz	32.3 MHz
Sensitivity (Attenuation)	Fo - 30 MHz	Typ.	8 dBc	11 dBc
	Fo + 30 MHz	Typ.	7 dBc	9 dBc
	Fo - ( ) MHz	Typ.	dBc	dBc
	Fo + ( ) MHz	Typ.	dBc	dBc
Return Loss		Min.	12 dB	22.5 dB
Ripple			< 1 dB	dB
Impedance			In / Out : 50 Ω	In / Out : 50 Ω
(4) Torque for Tuning Screw			> 100gf · cm	
(5) Temperature Condition:				
Operating Temperature			0°C ~ +60°C	
Storage Temperature			-20°C ~ +70°C	
(6) Input Power			> 1Watt	

(7) Measuring Circuit: ※ Easy to match Impedance S11/S22 50Ω by parallel with about( ).



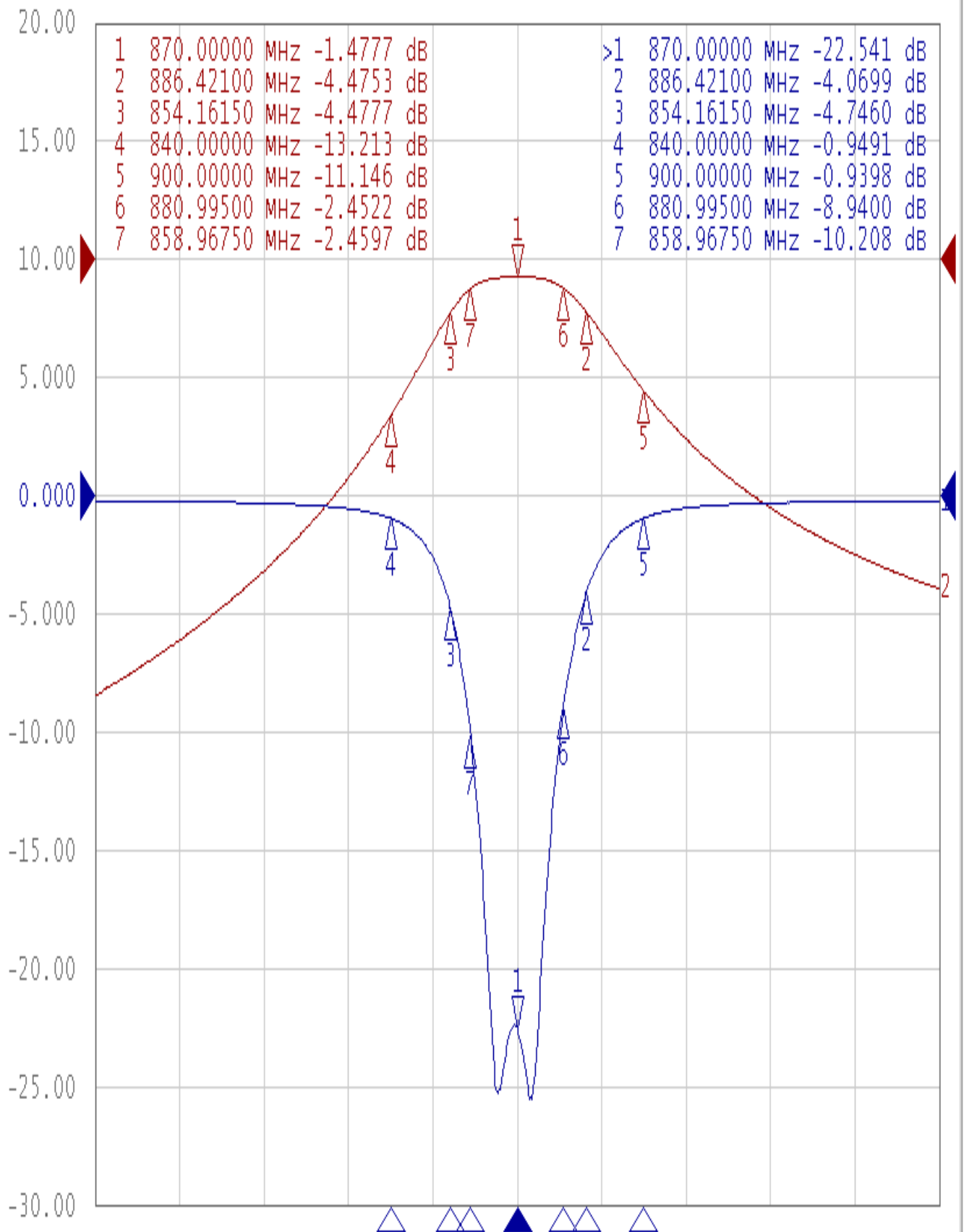
Approval C.Y.Chang	Supervisor C.K.Chang	Designer C.S.Chang	Aperture size 7H2S(4*5.5)(5.56) 7H046RB4.3 聚 3
-----------------------	-------------------------	-----------------------	--

TEMWELL CORPORATION

# Performance-K2C-870M-25M

## 201010091CD

▶ Tr1 S11 Log Mag 5.000dB/ Ref 0.000dB [F2]  
Tr2 S21 Log Mag 10.00dB/ Ref 0.000dB [F2]



1 Center 870 MHz

IFBW 10 kHz

Span 200 MHz Cor !