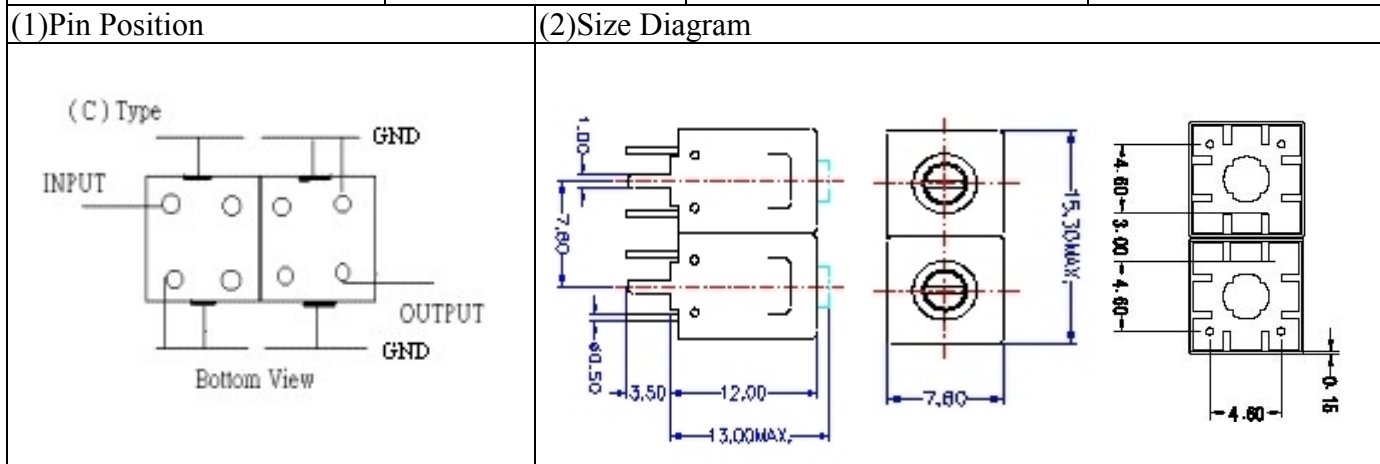


VHF UHF Helical Filter Specification Sheet

Customer Name		Temwell's Part No.	K2C-785M-20M
Approval No. /dated	201010090CD	Temwell's Print name.	K2C 785M
Work Instruction No.	201010090CD	Date	Oct.26.2010



(3) Electric Characteristic

Item	Specify	Performance	
Center Freq.(Fo) +/- 0.75 %	785 MHz	785 MHz	
Insertion Loss	Typ. 2.5 dB	1.59 dB	
-3 dB Bandwidth	Typ. 20 MHz	25.6 MHz	
Sensitivity (Attenuation)	Fo - 30 MHz	Typ. 13 dBc	15 dBc
	Fo + 30 MHz	Typ. 10 dBc	12 dBc
	Fo - () MHz	Typ. dBc	dBc
	Fo +() MHz	Typ. dBc	dBc
Return Loss	Min. 12 dB	24.3 dB	
Ripple	< 1 dB	dB	
Impedance	In / Out : 50 Ω	In / Out : 50 Ω	

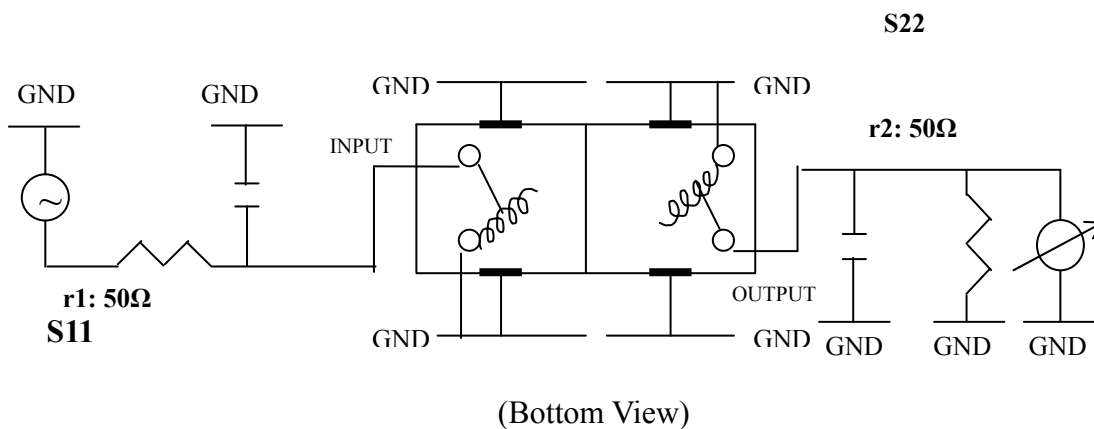
(4) Torque for Tuning Screw > 100gf · cm

(5) Temperature Condition:

Operating Temperature	0°C ~ +60°C
Storage Temperature	-20°C ~ +70°C

(6) Input Power > 1Watt

(7) Measuring Circuit: ※Easy to match Impedance S11/S22 50Ω by parallel with about().



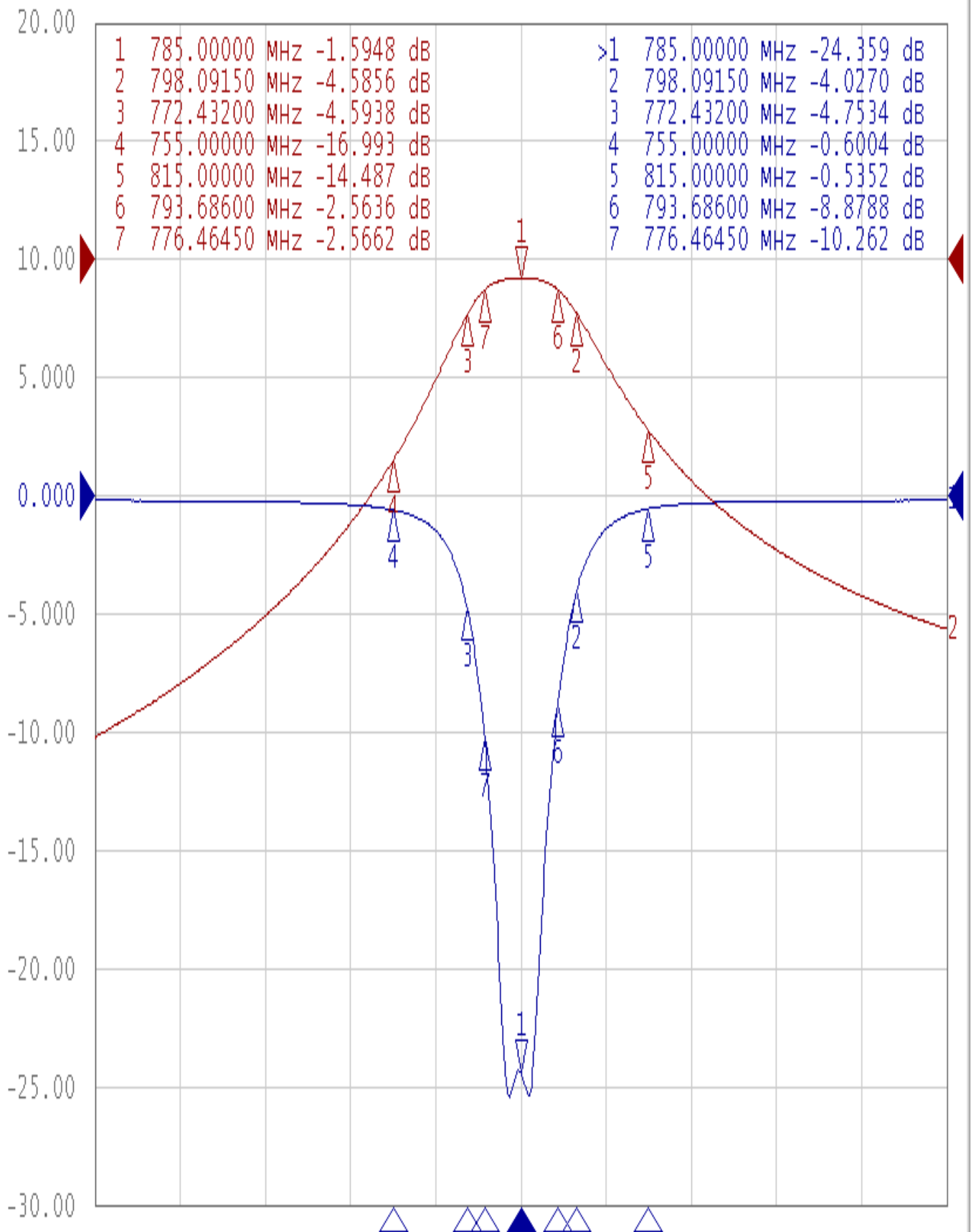
Approval C.Y.Chang	Supervisor C.K.Chang	Designer C.S.Chang	Aperture size 7H2S(4*5.5)(5.59) 7H046RB4.3 聚 3
-----------------------	-------------------------	-----------------------	--

TEMWELL CORPORATION

Performance-K2C-785M-20M

201010090CD

Tr1 S11 Log Mag 5.000dB/ Ref 0.000dB [F2]
Tr2 S21 Log Mag 10.00dB/ Ref 0.000dB [F2]



1 Center 785 MHz

IFBW 10 kHz

Span 200 MHz Cor !