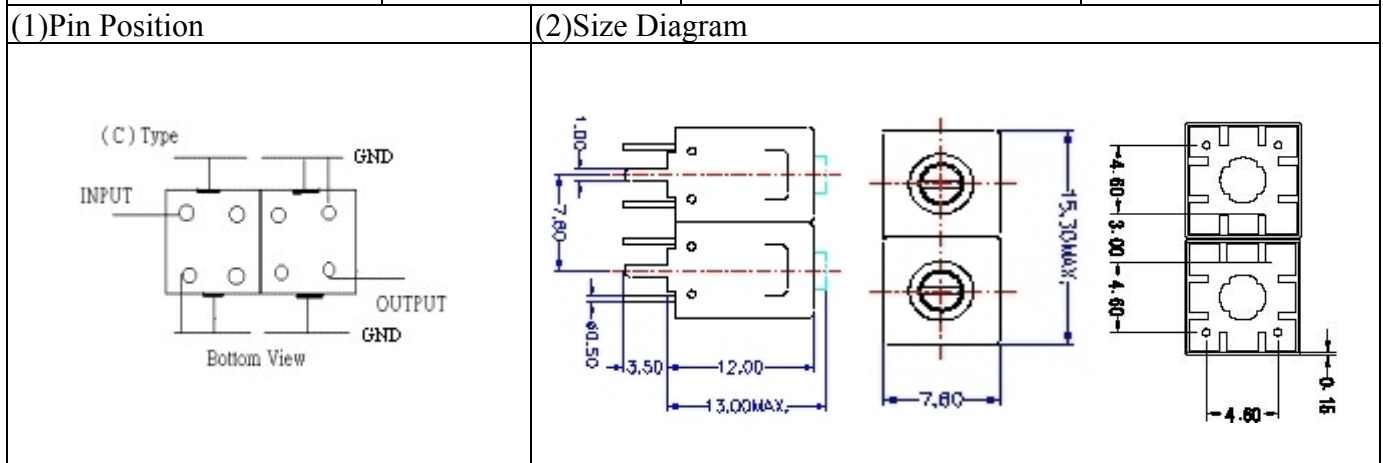


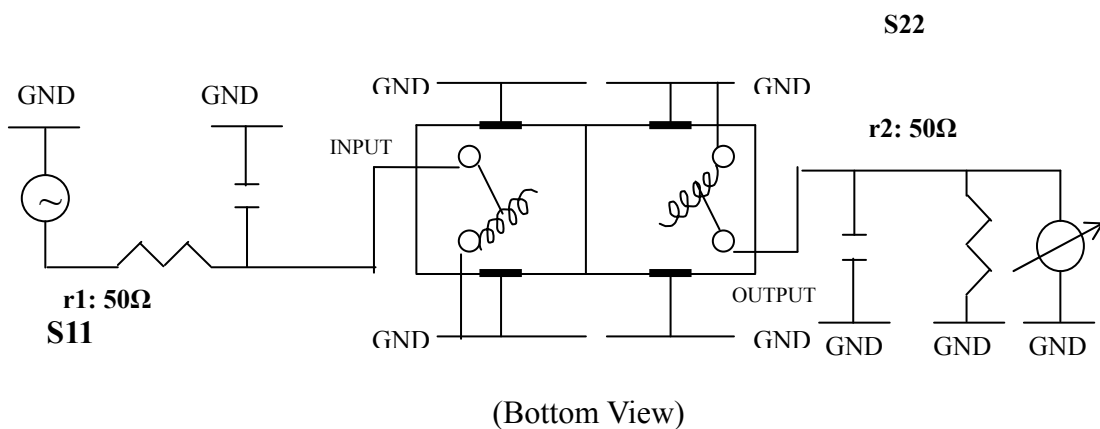
VHF UHF Helical Filter Specification Sheet

Customer Name		Temwell's Part No.	K2C-600M-15M
Approval No. /dated	201010087CD	Temwell's Print name.	K2C 600M
Work Instruction No.	201010087CD	Date	Nov.05.2010



(3) Electric Characteristic			
Item		Specify	Performance
Center Freq.(Fo) +/- 0.5 %		600 MHz	600 MHz
Insertion Loss		Typ. 3.0 dB	2.2 dB
-3 dB Bandwidth		Typ. 15 MHz	16.7 MHz
Sensitivity (Attenuation)	Fo - 30 MHz	Typ. 20 dBc	22 dBc
	Fo + 30 MHz	Typ. 15 dBc	17 dBc
	Fo - () MHz	Typ. dBc	dBc
	Fo + () MHz	Typ. dBc	dBc
Return Loss		Min. 12 dB	23.9 dB
Ripple		< 1 dB	dB
Impedance		In / Out : 50 Ω	In / Out : 50 Ω
(4) Torque for Tuning Screw		> 100gf · cm	
(5) Temperature Condition:			
Operating Temperature		0°C ~ +60°C	
Storage Temperature		-20°C ~ +70°C	
(6) Input Power		> 1Watt	

(7) Measuring Circuit: ※Easy to match Impedance S11/S22 50Ω by parallel with about().



Approval	Supervisor	Designer	Aperture size
C.Y.Chang	C.K.Chang	P.H.Chiang	7H2S-4*5.35(5.49) 7H046RB4

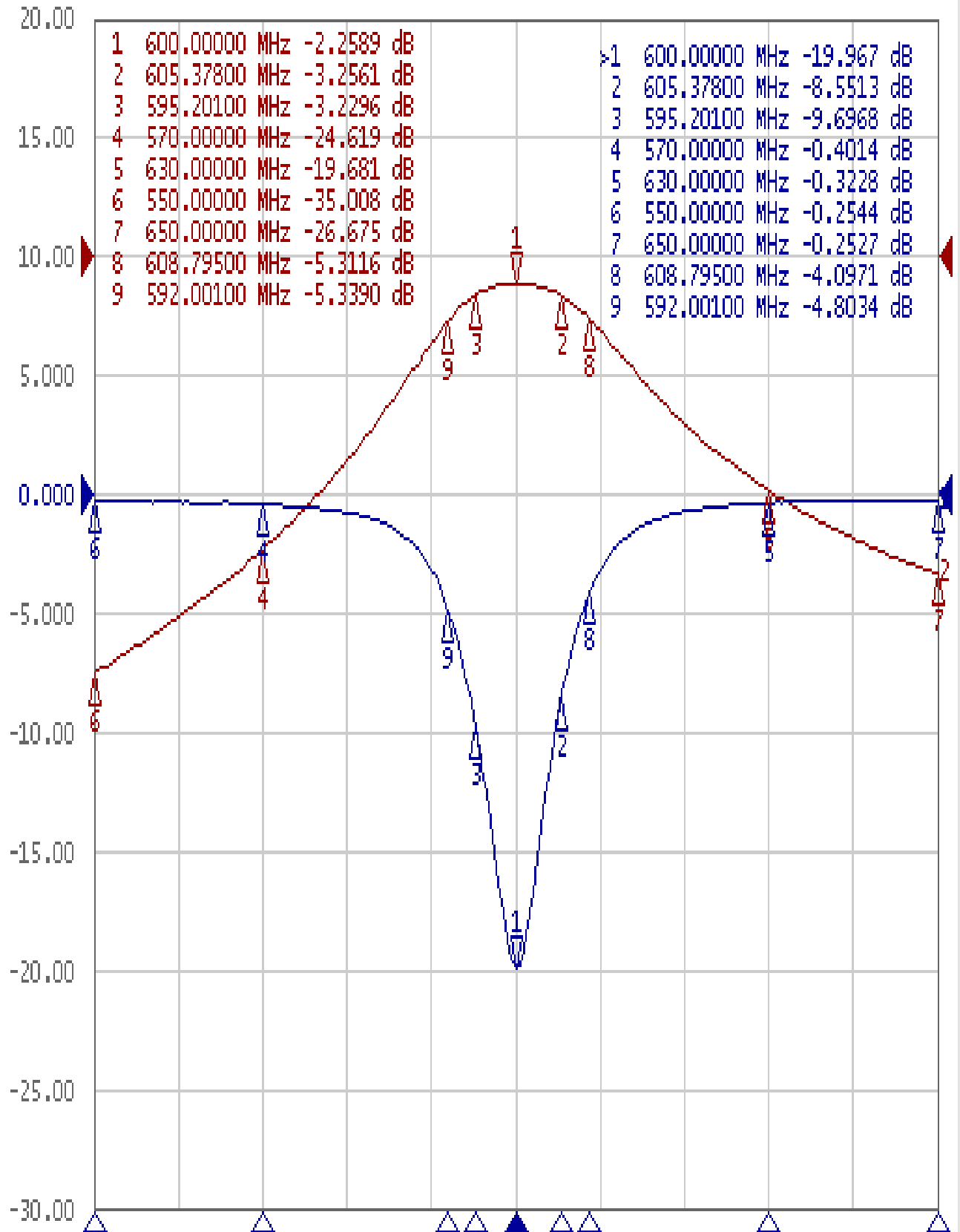
TEMWELL CORPORATION

Performance-K2C-600M-15M

201011076C

Tr1 S11 Log Mag 5.000dB/ Ref 0.000dB [F2]

Tr2 S21 Log Mag 10.00dB/ Ref 0.000dB [F2]



1 Center 600 MHz

IFBW 70 kHz

Span 100 MHz

Cor !