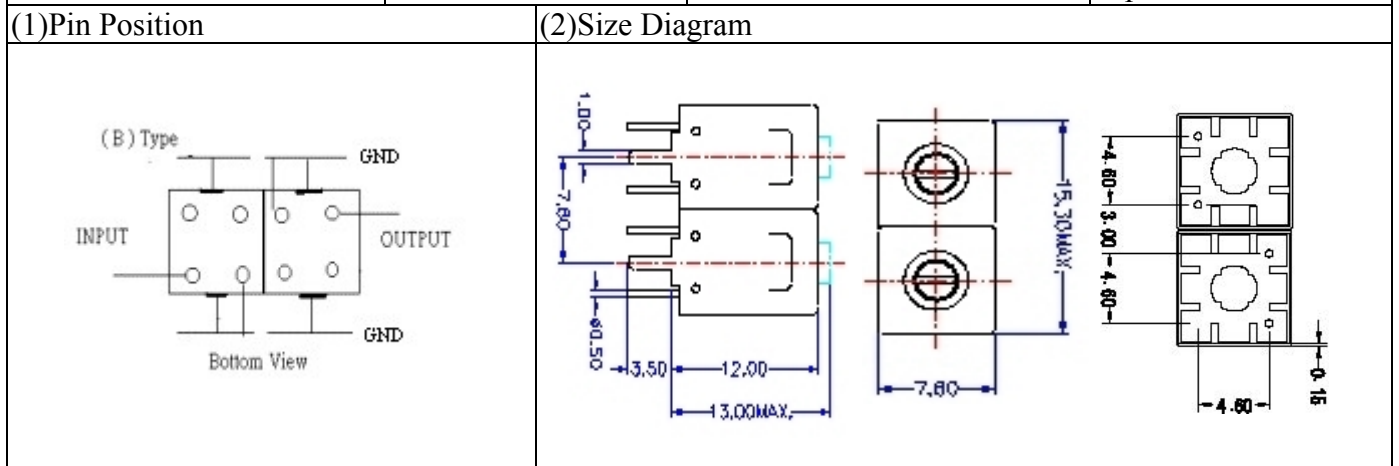


VHF UHF Helical Filter Specification Sheet

Customer Name		Temwell's Part No.	K2B1-475M-11M
Approval No. /dated	0909013CD	Customer's Part No.	K2B1 475M
Work Instruction No.	200909013CD	Date	Sep.14.2009



(3) Electric Characteristic

Item	Specify	Performance	
Center Freq.(Fo) +/- 0.5 %	475 MHz	475 MHz	
Insertion Loss	Typ. 2.5 dB	1.74 dB	
-3 dB Bandwidth	Typ. 11 MHz	14.9 MHz	
Sensitivity (Attenuation)	Fo - 50 MHz	Typ. 25 dBc	40 dBc
	Fo + 50 MHz	Typ. 20 dBc	30 dBc
	Fo - ()MHz	Typ. dBc	dBc
	Fo +()MHz	Typ dBc	dBc
Return Loss	Min. 12 dB	53.4 dB	
Ripple	< 1 dB	dB	
Impedance	In / Out : 50 Ω	In / Out : 50 Ω	
(4) Torque for Tuning Screw	> 100gf · cm		

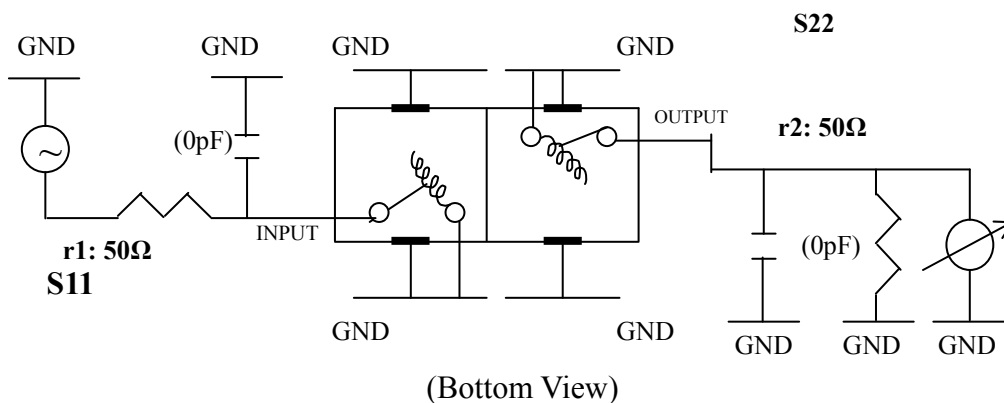
(5) Temperature Condition:

Operating Temperature	0°C ~ +60°C
Storage Temperature	-20°C ~ +70°C

(6) Input Power

> 1Watt

(7) Measuring Circuit: ※Easy to match Impedance S11/S22 50Ω by parallel with about (0) pF.

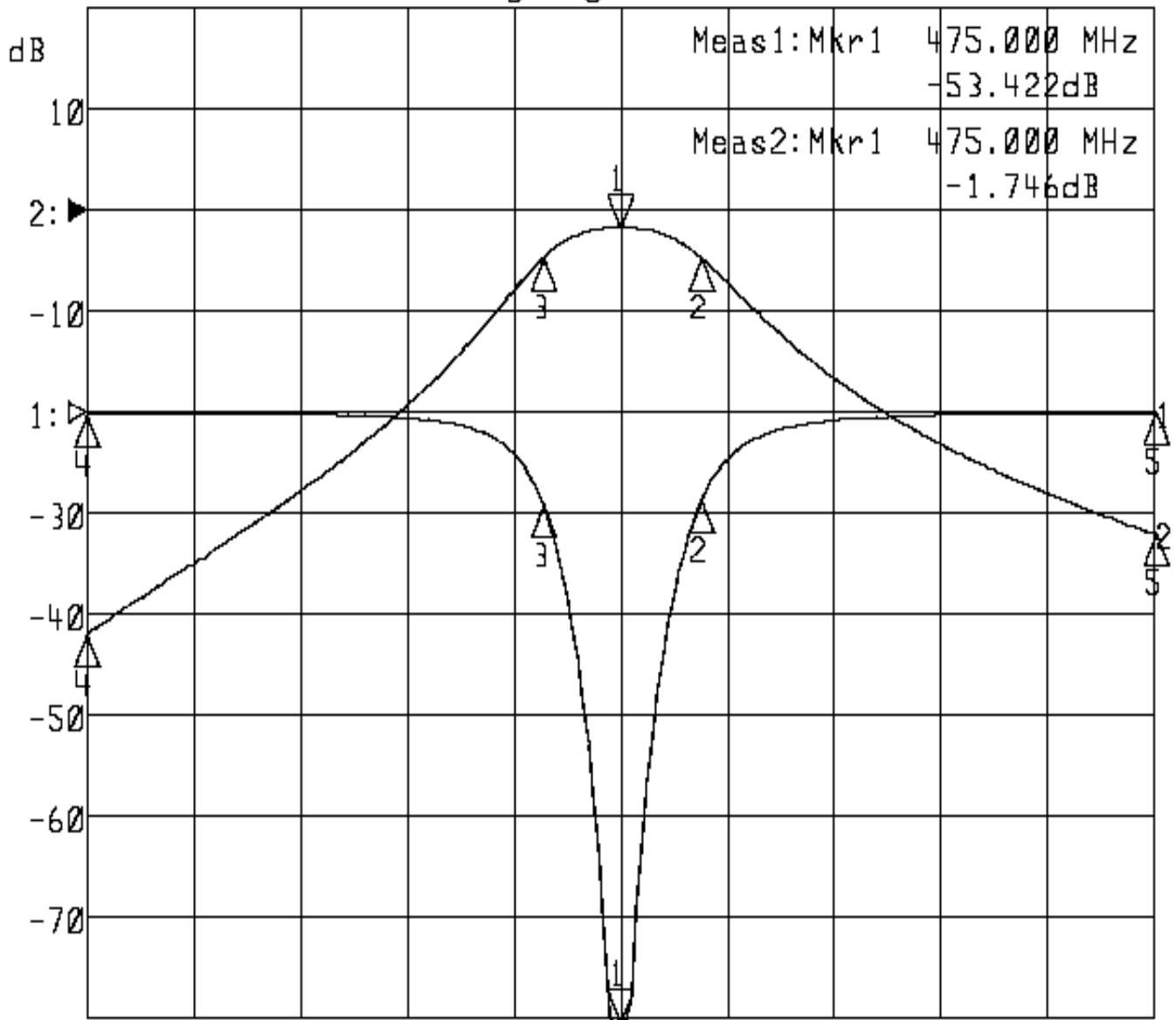


Approval	Supervisor	Designer	Aperture size
C.Y.Chang	C.K.Chang	J.F.Lin	7H2(4*5.5F)(5.55) 7H046RB4

TEMWELL CORPORATION

Performance-K2B1-475M-11M 200909013CD

▶1: S11 Refl Port1 Log Mag 5.0 dB/ Ref 0.00 dB C
 ▶2: S21 Fwd Trans Log Mag 10.0 dB/ Ref 0.00 dB C



Center 475.000 MHz

Span 100.000 MHz

1: Mkr (MHz)	dB	2: Mkr (MHz)	dB
1> 475.0000	-53.422	1> 475.0000	-1.746
2: 482.6333	-4.321	2: 482.6333	-4.735
3: 467.7667	-4.567	3: 467.7667	-4.696
4: 425.0000	-0.064	4: 425.0000	-42.003
5: 525.0000	-0.051	5: 525.0000	-32.041