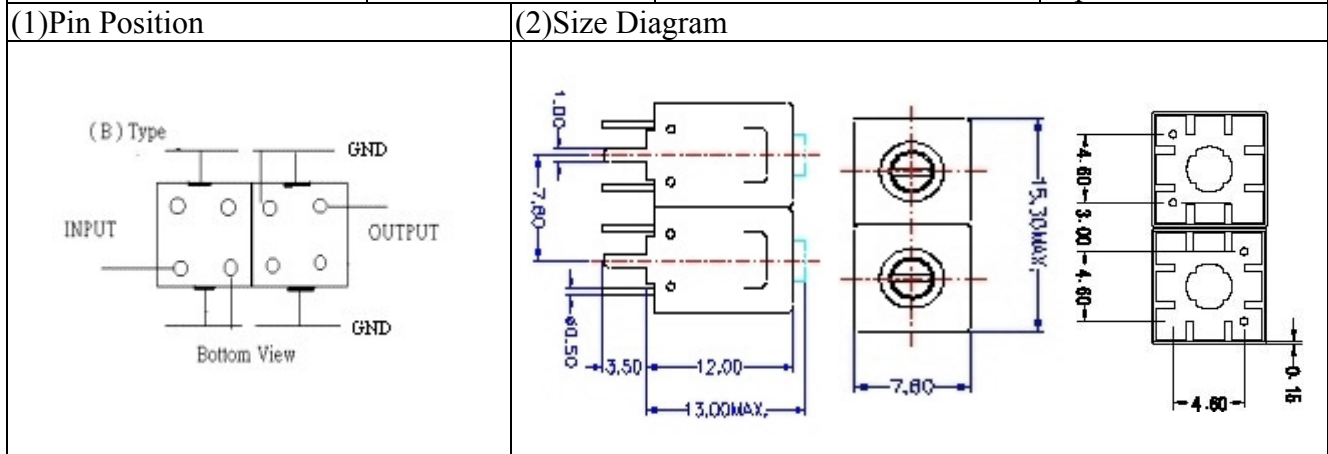


# VHF UHF Helical Filter Specification Sheet

Customer Name		Temwell's Part No.	K2B1-460M-11M
Approval No. /dated		Customer's Part No.	K2B1 460M
Work Instruction No.	200909012CD	Date	Sep.22.09



### (3) Electric Charasteric

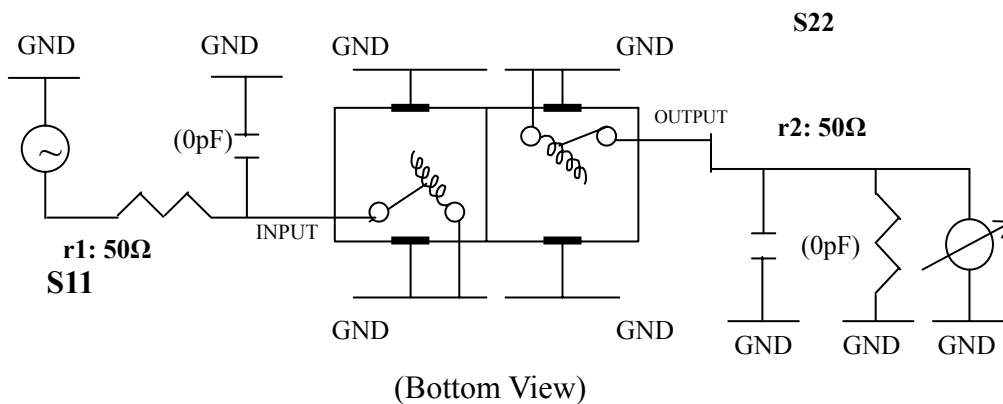
Item	Specify	Performance	
Center Freq.(Fo ) +/- 0.5 %	460 MHz	460 MHz	
Insertion Loss	Typ. 2.5 dB	1.92 dB	
-3 dB Bandwidth	Typ. 11 MHz	13.9 MHz	
Sensitivity (Attenuation )	Fo - 50 MHz	Typ. 25 dBc	43 dBc
	Fo + 50 MHz	Typ. 20 dBc	31 dBc
	Fo - ( )MHz	Typ. dB	dBc
	Fo +( )MHz	Typ. dB	dBc
Return Loss	Min. 12 dB	22.0 dB	
Ripple	< 1 dB	dB	
Impedance	In / Out : 50 Ω	In / Out : 50 Ω	
(4)Torque for Tuning Screw	> 100gf cm		

### (5)Temperature Condition:

Operating Temperature	0 ~ +60
Storage Temperature	-20 ~ +70

### (6)Input Power

(7)Measuring Circuit: Easy to match Impedance S11/S22 50Ω by parallel with about ( 0 ) pF.



Approval C.Y.Chang	Supervisor C.K.Chang	Designer L.F.Lai	Aperture size 7H2S(4*5.5)(5.59) 7H046RB4
-----------------------	-------------------------	---------------------	--

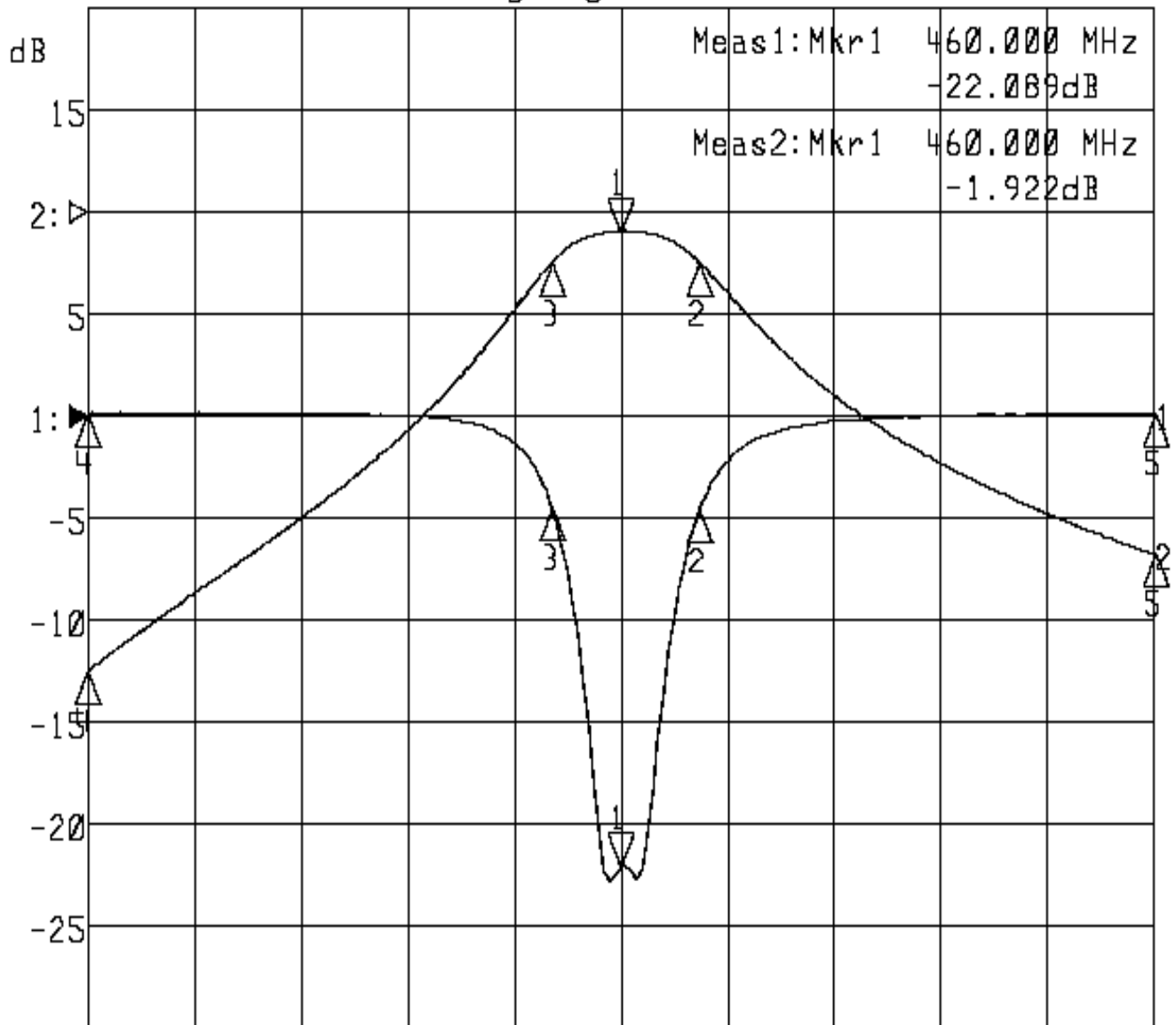
TEMWELL CORPORATION

# Performance-K2B1-460M-11M

## 200909012CD

►1:S11 Refl Port1 Log Mag 5.0 dB/ Ref 0.00 dB C

▷2:S21 Fwd Trans Log Mag 10.0 dB/ Ref 0.00 dB C



Center 460.000 MHz

Span 100.000 MHz

1:Mkr (MHz)	dB	2:Mkr (MHz)	dB
1> 460.0000	-22.089	1> 460.0000	-1.922
2: 467.4000	-4.613	2: 467.4000	-4.914
3: 453.5333	-4.438	3: 453.5333	-4.966
4: 410.0000	0.105	4: 410.0000	-45.054
5: 510.0000	0.113	5: 510.0000	-33.600