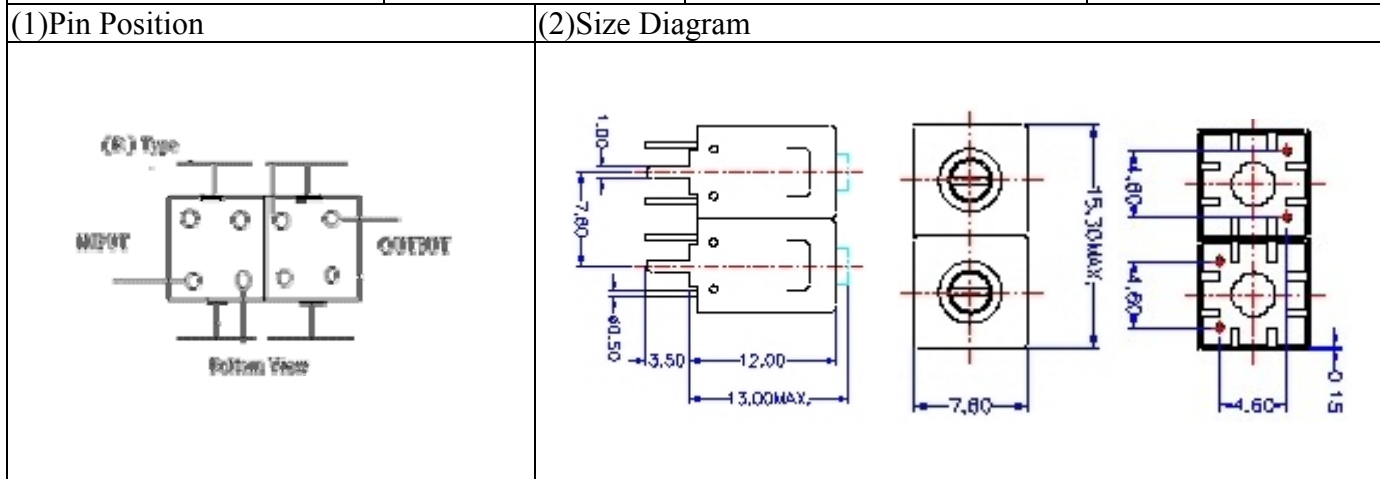


VHF UHF Helical Filter Specification Sheet

Customer Name		Temwell's Part No.	K2B1-420M-11M
Approval No. /dated	0904105CD	Temwell's Print name.	K2B1 420M
Work Instruction No.	200904105CD	Date	Jun.26.2009



(3) Electric Characteristic

Item	Specify	Performance	
Center Freq.(Fo) +/- 0.5 %	420 MHz	420 MHz	
Insertion Loss	Typ. 2.5 dB	1.37 dB	
-3 dB Bandwidth	Typ. 11 MHz	17.7 MHz	
Sensitivity (Attenuation)	Fo - 50 MHz	Typ. 30 dBc	37 dBc
	Fo + 50 MHz	Typ. 20 dBc	25 dBc
	Fo - 30 MHz	Typ. 15 dBc	24 dBc
	Fo +30 MHz	Typ. 13 dBc	18 dBc
Return Loss	Min. 12 dB	31.9 dB	
Ripple	< 1 dB	dB	
Impedance	In / Out : 50 Ω	In / Out : 50 Ω	

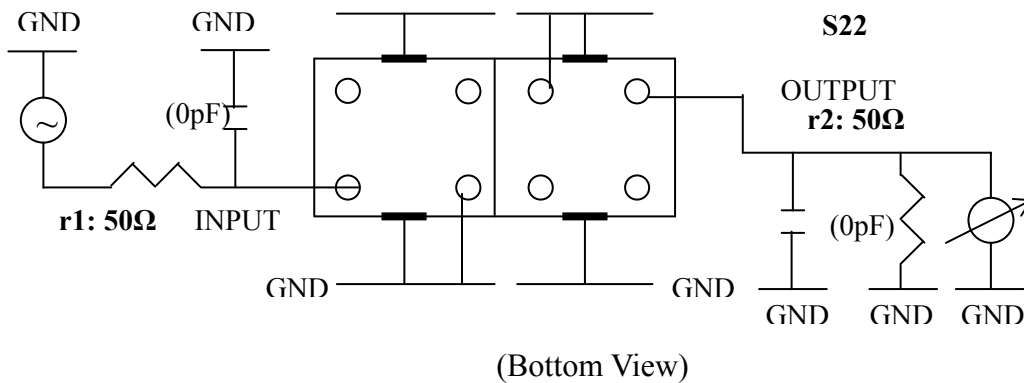
(4) Torque for Tuning Screw > 100gf · cm

(5) Temperature Condition:

Operating Temperature	0°C ~ +60°C
Storage Temperature	20°C ~ +70°C

(6) Input Power > 1Watt

(7) Measuring Circuit: ※Easy to match Impedance S11/S22 50Ω by parallel with about (0) pF.

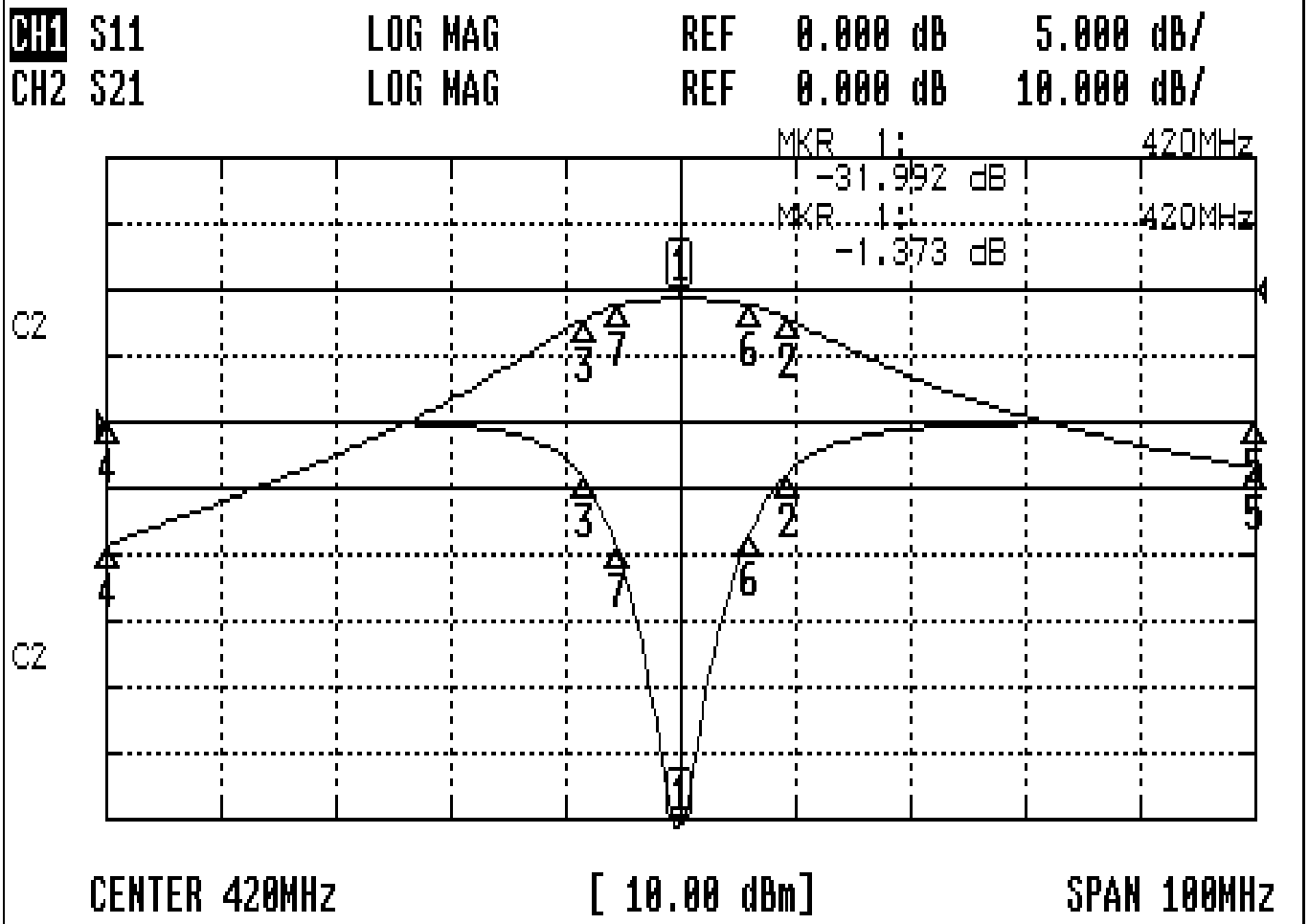


Approval C.Y.Chang	Supervisor C.K.Chang	Designer W.W.Wang	Aperture size 7H2S(4*6.5)(4*6.58) 7H046RB4
-----------------------	-------------------------	----------------------	--

TEMWELL CORPORATION

Performance-K2B1-420M-11M

200904105CD



CH1 MARKER LIST

1:	420.000MHz	-31.992	dB
2:	429.250MHz	-13.983	dB
3:	411.583MHz	-14.274	dB
4:	370.000MHz	-0.037	dB
5:	470.000MHz	-0.052	dB
6:	426.000MHz	-0.573	dB
7:	414.583MHz	-9.742	dB

CH2 MARKER LIST

1:	420.000MHz	-1.373	dB
2:	429.250MHz	-14.000	dB
3:	411.583MHz	-14.000	dB
4:	370.000MHz	-1.000	dB
5:	470.000MHz	-2.000	dB
6:	426.000MHz	-1.000	dB
7:	414.583MHz	-2.329	dB