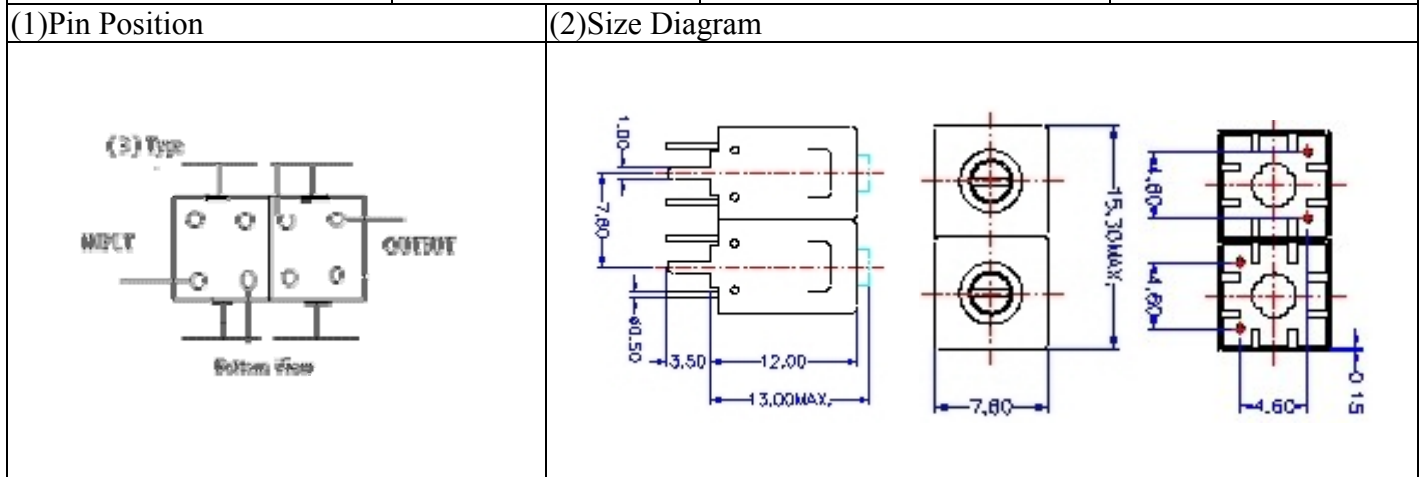


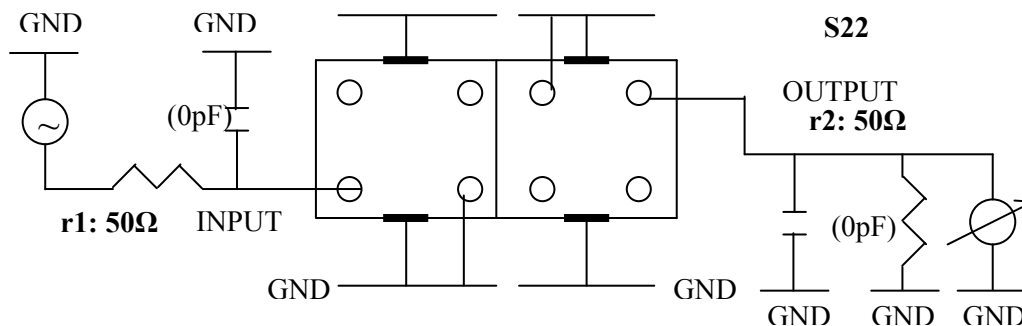
VHF UHF Helical Filter Specification Sheet

Customer Name		Temwell's Part No.	K2B1-410M-10M
Approval No. /dated	0904104CD	Temwell's Print name.	K2B1 410M
Work Instruction No.	200904104CD	Date	Jun.26.2009



(3) Electric Characteristic			
Item		Specify	Performance
Center Freq.(Fo) +/- 0.5 %		410 MHz	410 MHz
Insertion Loss		Typ. 2.5 dB	1.79 dB
-3 dB Bandwidth		Typ. 10 MHz	14.6 MHz
Sensitivity (Attenuation)	Fo - 50 MHz	Typ. 30 dBc	42 dBc
	Fo + 50 MHz	Typ. 20 dBc	27 dBc
	Fo - ()MHz	Typ. dBc	dBc
	Fo +()MHz	Typ. dBc	dBc
Return Loss		Min. 12 dB	20.6 dB
Ripple		< 1 dB	dB
Impedance		In / Out : 50 Ω	In / Out : 50 Ω
(4) Torque for Tuning Screw		> 100gf · cm	
(5) Temperature Condition:			
Operating Temperature		0°C ~ +60°C	
Storage Temperature		20°C ~ +70°C	
(6) Input Power		> 1 Watt	

(7) Measuring Circuit: ※Easy to match Impedance S11/S22 50Ω by parallel with about (0) pF.



(Bottom View)

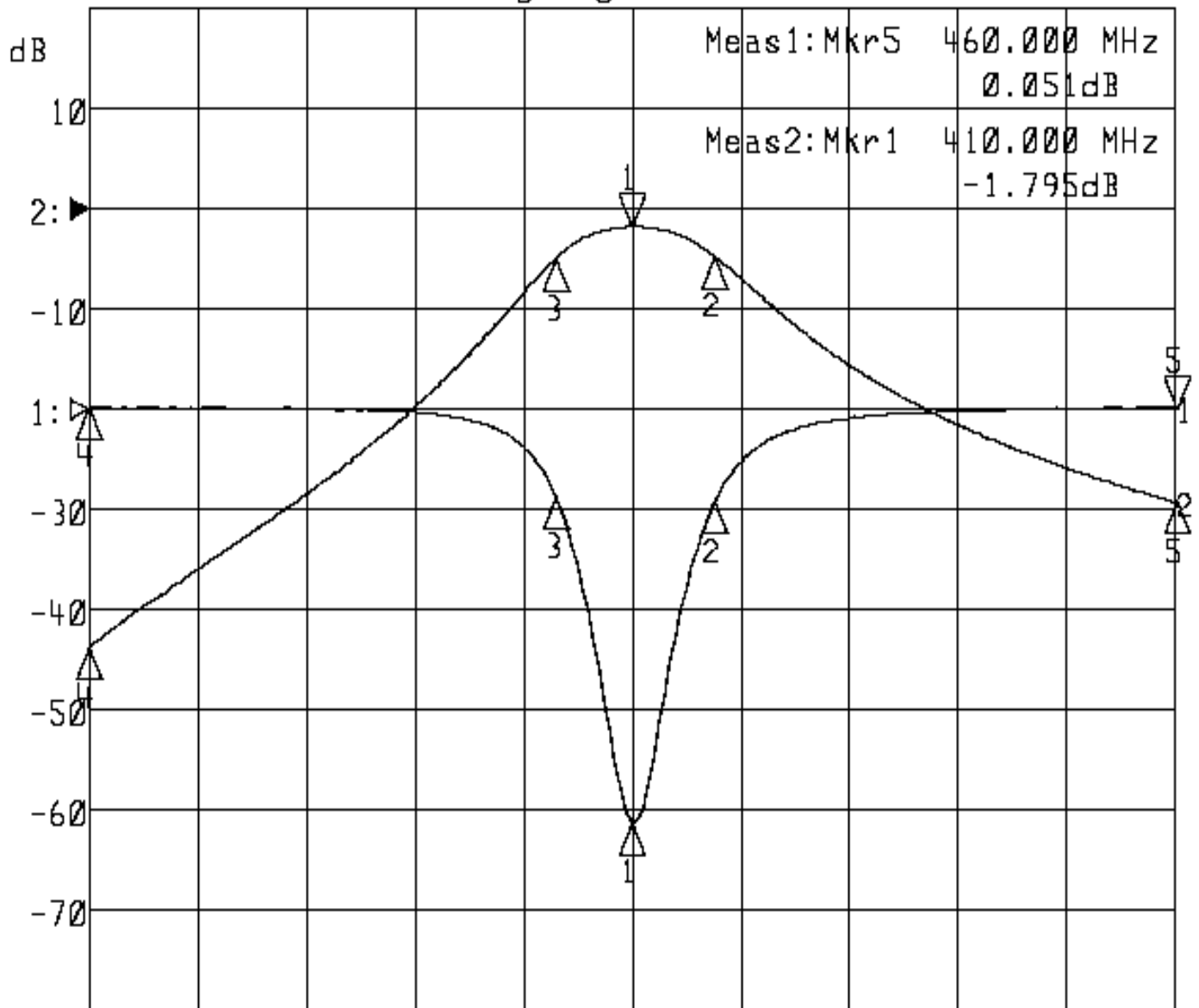
Approval	Supervisor	Designer	Aperture size
C.Y.Chang	C.K.Chang	W.W.Wang	7H2S(4*6.5)(4*6.58) 7H046RB4

TEMWELL CORPORATION

Performance-K2B1-410M-10M

200904104CD

►1:S11 Refl Port1 Log Mag 5.0 dB/ Ref 0.00 dB C
 ►2:S21 Fwd Trans Log Mag 10.0 dB/ Ref 0.00 dB C



Center 410.000 MHz

Span 100.000 MHz

1: Mkr (MHz)	dB	2: Mkr (MHz)	dB
1: 410.0000	-20.621	1> 410.0000	-1.795
2: 417.6667	-4.600	2: 417.6667	-4.774
3: 403.0333	-4.423	3: 403.0333	-4.879
4: 360.0000	0.072	4: 360.0000	-43.828
5> 460.0000	0.051	5: 460.0000	-29.273