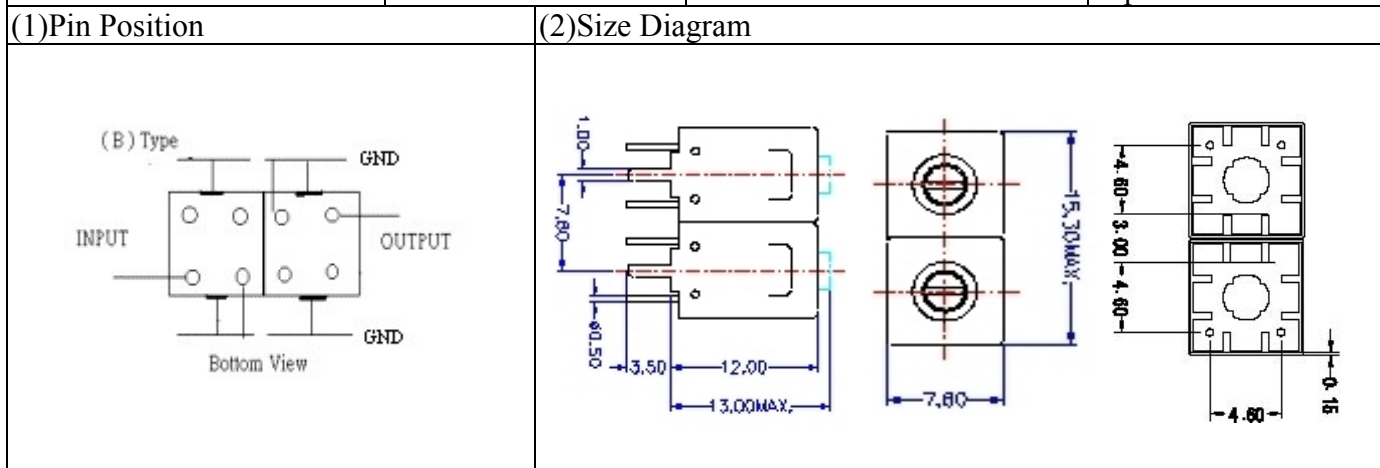


VHF UHF Helical Filter Specification Sheet

| | | | |
|----------------------|-------------|-----------------------|---------------|
| Customer Name | | Temwell's Part No. | K2B1-405M-15M |
| Approval No. /dated | 201009087CD | Temwell's Print name. | K2B1 405M |
| Work Instruction No. | 201009087CD | Date | Sep.20.2010 |



(3) Electric Characteristic

| Item | Specify | Performance | |
|-------------------------------|-----------------|-----------------|-------|
| Center Freq.(Fo) +/- 0.75 % | 405 MHz | 405 MHz | |
| Insertion Loss | Typ. 3.5 dB | 1.61 dB | |
| -3 dB Bandwidth | Typ. 15 MHz | 19.6 MHz | |
| Sensitivity (Attenuation) | Fo - 30 MHz | Typ. 15 dB | 21 dB |
| | Fo + 30 MHz | Typ. 13 dB | 18 dB |
| | Fo - ()MHz | Typ. dB | dB |
| | Fo +()MHz | Typ. dB | dB |
| Return Loss | Min. 12 dB | 33.3 dB | |
| Ripple | < 1 dB | dB | |
| Impedance | In / Out : 50 Ω | In / Out : 50 Ω | |

(4) Torque for Tuning Screw

> 100gf • cm

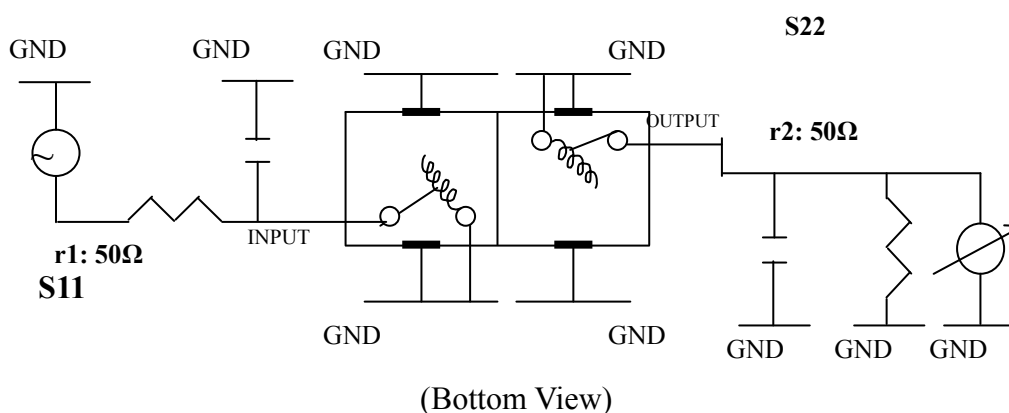
(5) Temperature Condition:

| | |
|-----------------------|---------------|
| Operating Temperature | -30°C ~ +70°C |
| Storage Temperature | -30°C ~ +80°C |

(6) Input Power

> 1Watt

(7) Measuring Circuit: ※Easy to match Impedance S11/S22 50Ω/ by parallel with about(--)/(--).



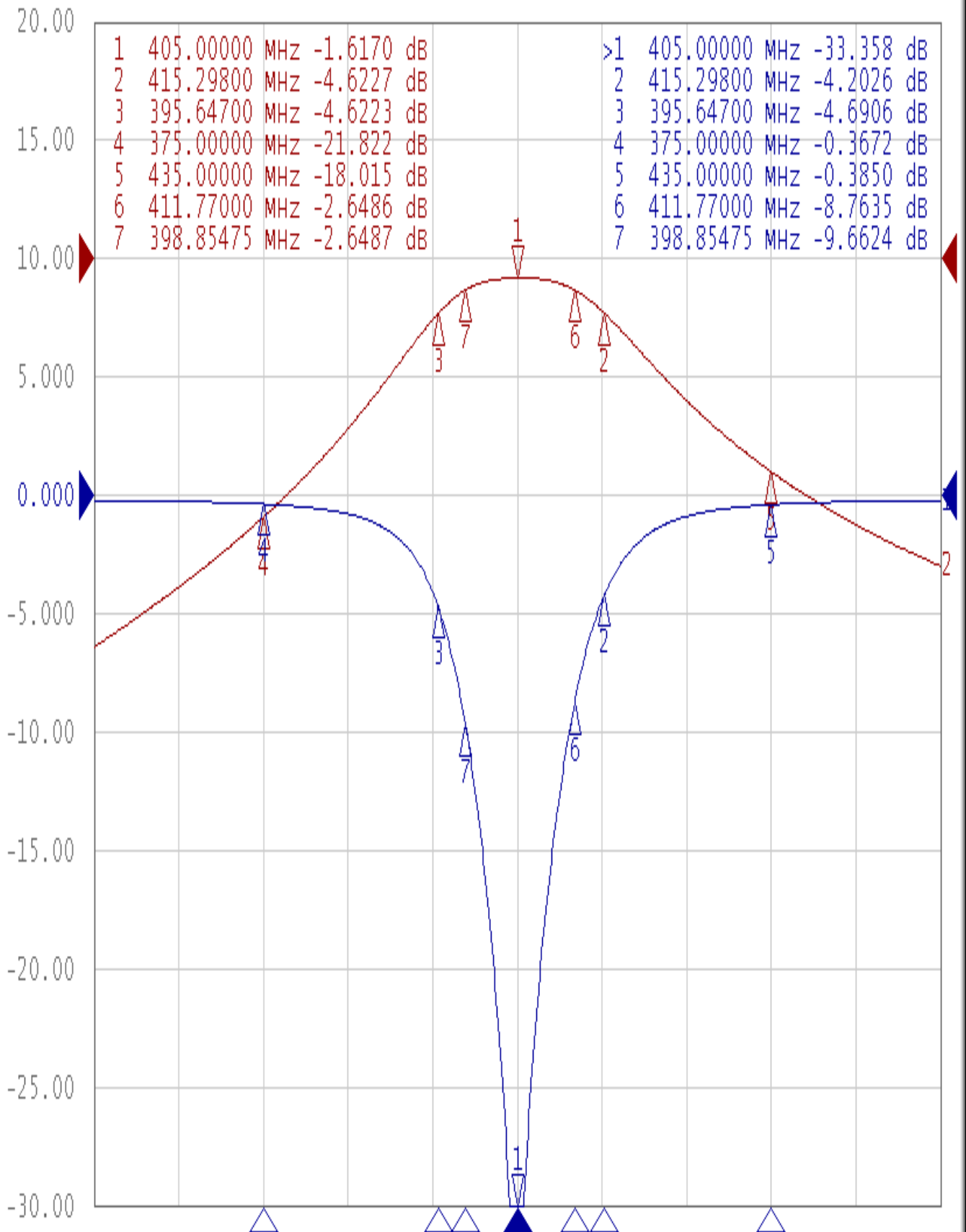
| | | | |
|-----------------------|-------------------------|-----------------------|---|
| Approval C.Y.Chang | Supervisor C.K.Chang | Designer C.S.Chang | Aperture size 7H2S(4*4.65)(4.69) 7H046RB5.5 |
|-----------------------|-------------------------|-----------------------|---|

TEMWELL CORPORATION

Performance-K2B1-405M-15M

201009087CD

Tr1 S11 Log Mag 5.000dB/ Ref 0.000dB [F2]
Tr2 S21 Log Mag 10.00dB/ Ref 0.000dB [F2]



1 Center 405 MHz

IFBW 10 kHz

Span 100 MHz Cor !