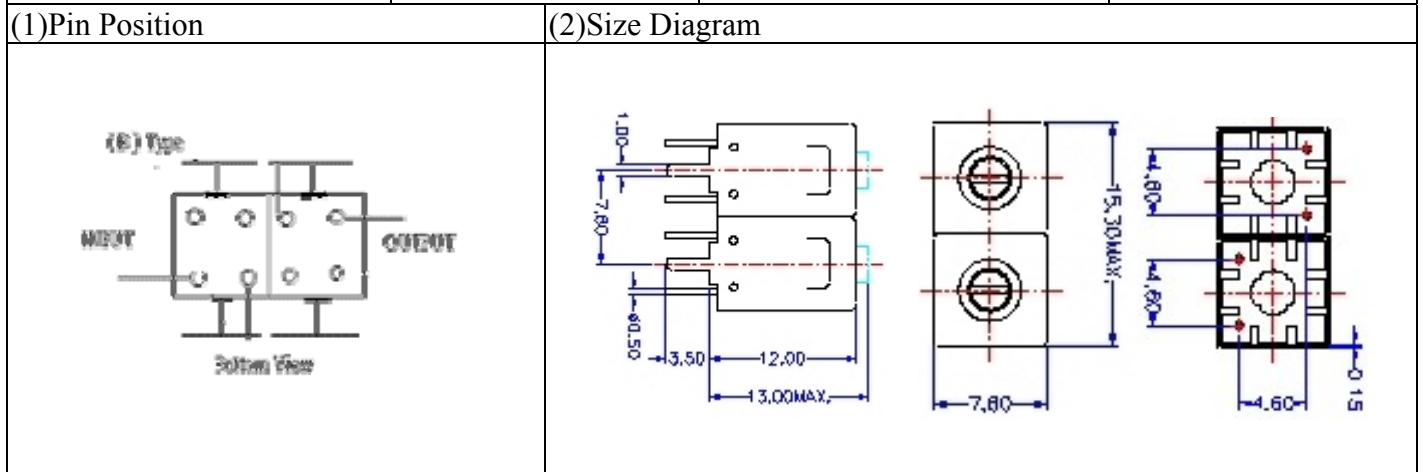


VHF UHF Helical Filter Specification Sheet

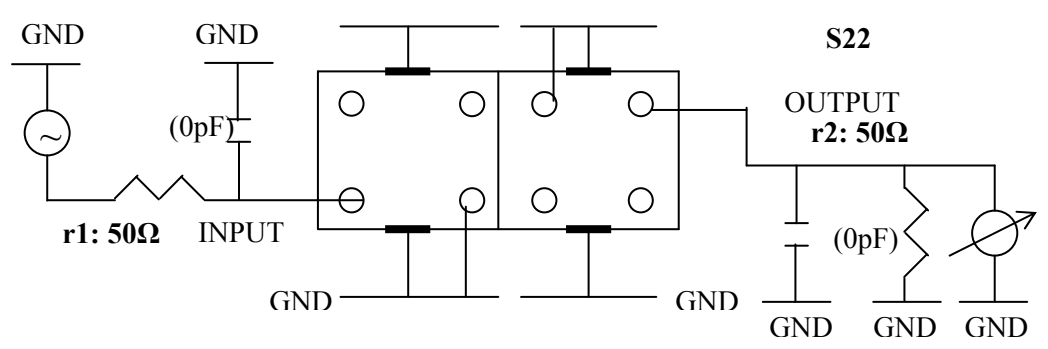
Customer Name		Temwell's Part No.	K2B1-380M-10M
Approval No. /dated	20402054DC	Customer's Part No.	
Work Instruction No.	20402054DC	Date	Feb.12.2004



(3) Electric Characteristic			
Item		Specify	Performance
Center Freq.(Fo) +/- 0.5 %		380 MHz	380 MHz
Tunable Range: <input type="checkbox"/> Fo±5MHz <input type="checkbox"/> Fo±10MHz <input type="checkbox"/> Fo±15MHz		380±4 MHz	380±4 MHz
Insertion Loss		Max. 2.5 dB	1.7 dB
-3 dB Bandwidth		Typ. 10 MHz	14 MHz
Sensitivity (Attenuation)	Fo - 50 MHz	Typ. 35 dBc	43 dBc
	Fo + 50 MHz	Typ. 25 dBc	29 dBc
	Fo - ()MHz	Typ. dBc	dBc
	Fo + ()MHz	Typ. dBc	dBc
Return Loss		Min. 12 dB	31 dB
Ripple		< 1 dB	dB
Impedance		In / Out : 50 Ω	In / Out : 50 Ω
(4) Torque for Tuning Screw		> 60gf · cm	

(5) Temperature Condition:	
Operating Temperature	0°C ~ +60°C
Storage Temperature	20°C ~ +70°C
(6) Input Power	> 1Watt

(7) Measuring Circuit: ※Easy to match Impedance 50Ω by parallel with about (0) pF.



(Bottom View)

Approval	Supervisor	Designer	Aperture size
C.Y.Chang	C.S.Chang	Enlan	7H2(4*6.5)(4*6.6)F 7H046RB4

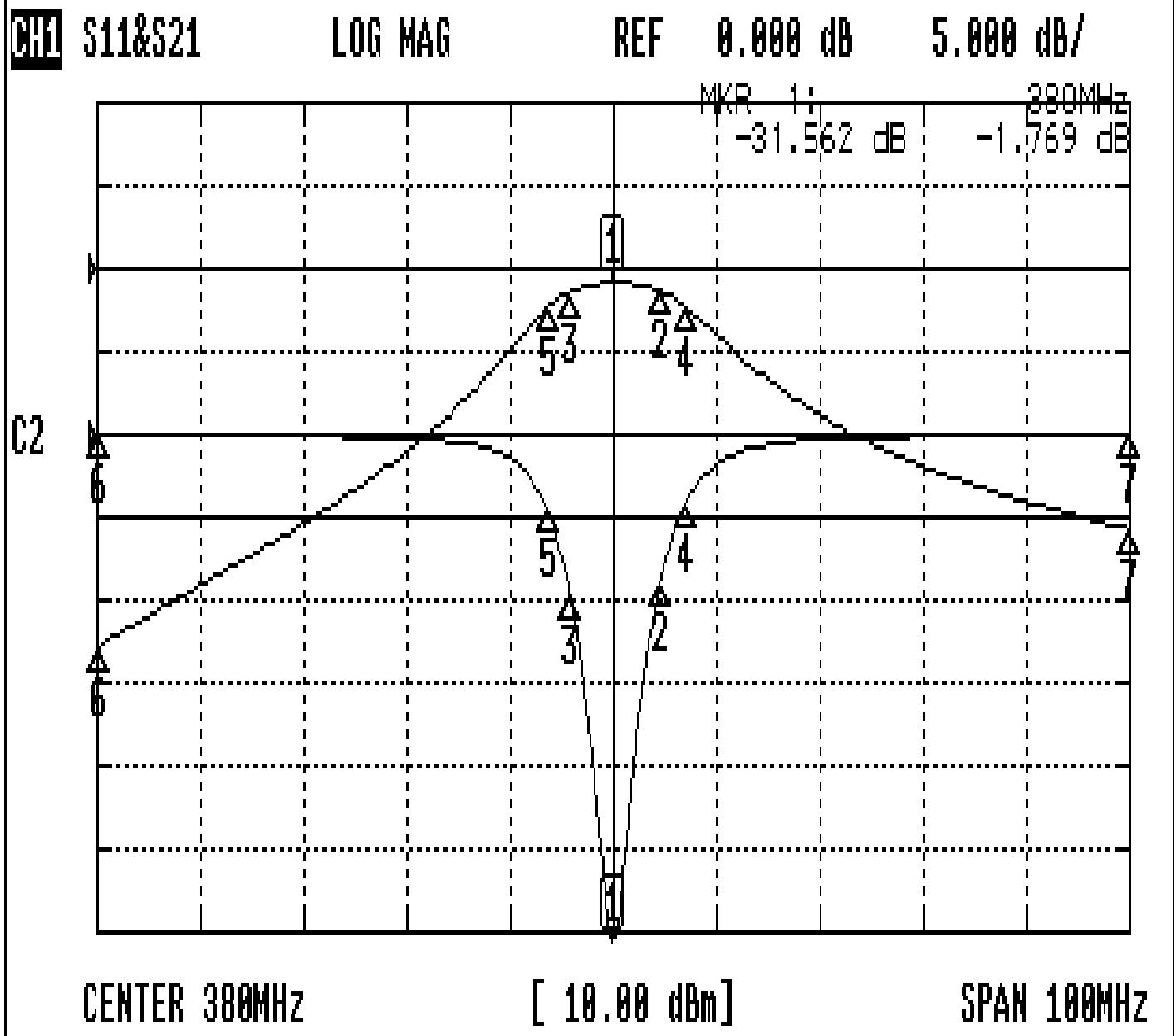
TEMWELL CORPORATION

TEMWELL

Form10-7H2B Vision D

Performance-K2B1-380M-10M

20402054DC



CH1 MARKER LIST

1:	380.000MHz	-31.562 dB	-1.769 dB
2:	384.666MHz	-8.785 dB	-2.754 dB
3:	375.916MHz	-9.889 dB	-2.743 dB
4:	387.883MHz	-4.184 dB	-4.737 dB
5:	373.666MHz	-4.517 dB	-4.783 dB
6:	330.000MHz	-0.855 dB	-45.645 dB
7:	430.000MHz	-0.848 dB	-31.413 dB