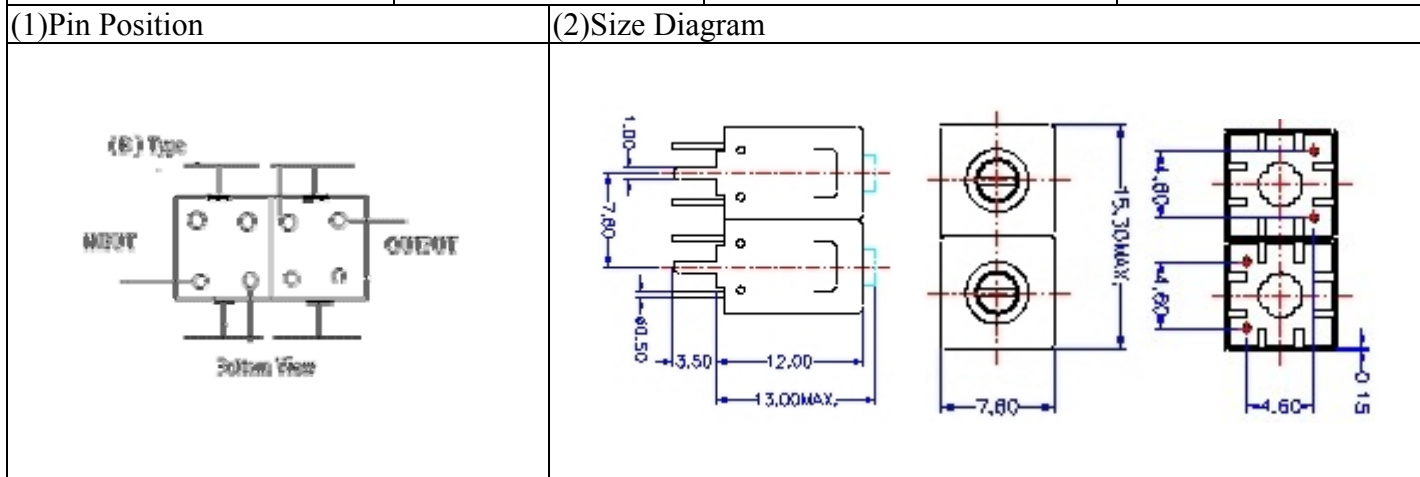


# VHF UHF Helical Filter Specification Sheet

Customer Name		Temwell's Part No.	K2B1-370M-10M
Approval No. /dated	20402053DC	Customer's Part No.	
Work Instruction No.	20402053DC	Date	Feb.12.2004



(3) Electric Characteristic

Item	Specify	Performance	
Center Freq.(Fo) +/- 0.5 %	370 MHz	370 MHz	
Tunable Range: <input type="checkbox"/> Fo±5MHz <input type="checkbox"/> Fo±10MHz <input type="checkbox"/> Fo±15MHz	370±10 MHz	370±10 MHz	
Insertion Loss	Max. 2.5 dB	1.9 dB	
-3 dB Bandwidth	Typ. 10 MHz	13 MHz	
Sensitivity (Attenuation)	Fo - 50 MHz	Typ. 35 dBc	44 dBc
	Fo + 50 MHz	Typ. 25 dBc	30 dBc
	Fo - ( )MHz	Typ. dBc	dBc
	Fo + ( )MHz	Typ. dBc	dBc
Return Loss	Min. 12 dB	28 dB	
Ripple	< 1 dB	dB	
Impedance	In / Out : 50 Ω	In / Out : 50 Ω	

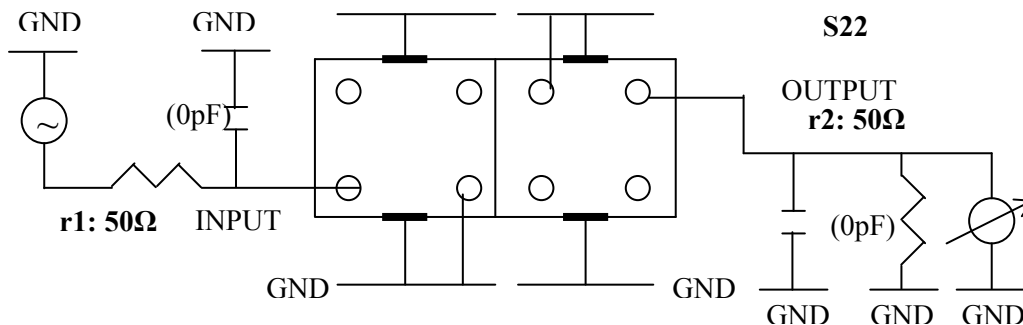
(4) Torque for Tuning Screw > 60gf · cm

(5) Temperature Condition:

Operating Temperature	0°C ~ +60°C
Storage Temperature	20°C ~ +70°C

(6) Input Power > 1Watt

(7) Measuring Circuit: ※Easy to match Impedance 50Ω by parallel with about ( 0 ) pF.



(Bottom View)

Approval	Supervisor	Designer	Aperture size
	C.S.Chang	Enlan	7H2(4*6.5)(4*6.6)

TEMWELL CORPORATION

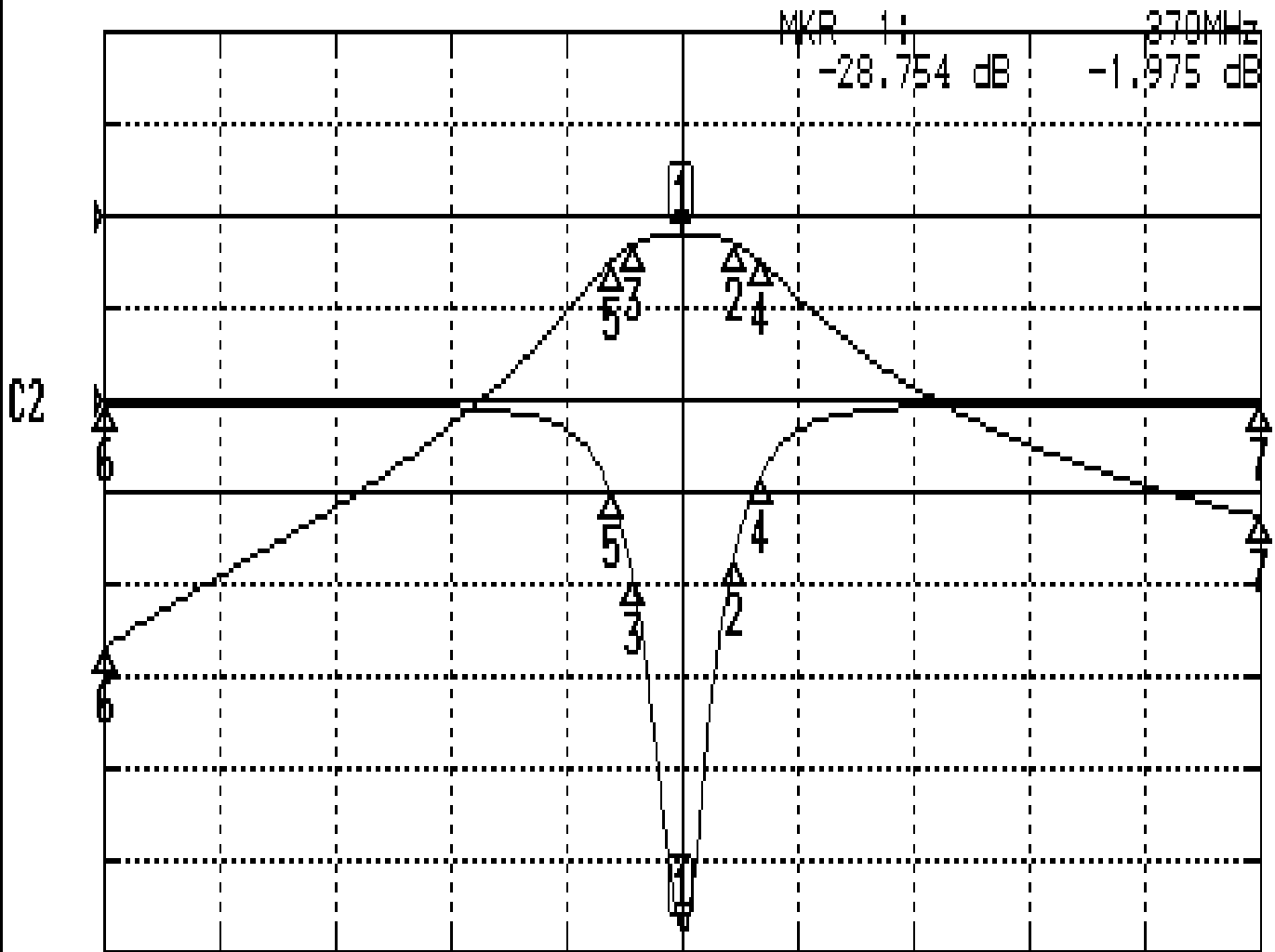
TEMWELL

Form10-7H2B Vision D

# Performance-K2B1-370M-10M

20402053DC

CH1 S11&S21 LOG MAG REF 0.000 dB 5.000 dB/



CENTER 370MHz

[ 10.00 dBm ]

SPAN 100MHz

## CH1 MARKER LIST

1:	370.000MHz	-28.754 dB	-1.975 dB
2:	374.500MHz	-8.731 dB	-3.025 dB
3:	365.833MHz	-9.844 dB	-3.076 dB
4:	376.833MHz	-4.102 dB	-5.089 dB
5:	363.800MHz	-4.877 dB	-5.037 dB
6:	320.000MHz	-0.152 dB	-46.884 dB
7:	420.000MHz	-0.143 dB	-32.665 dB