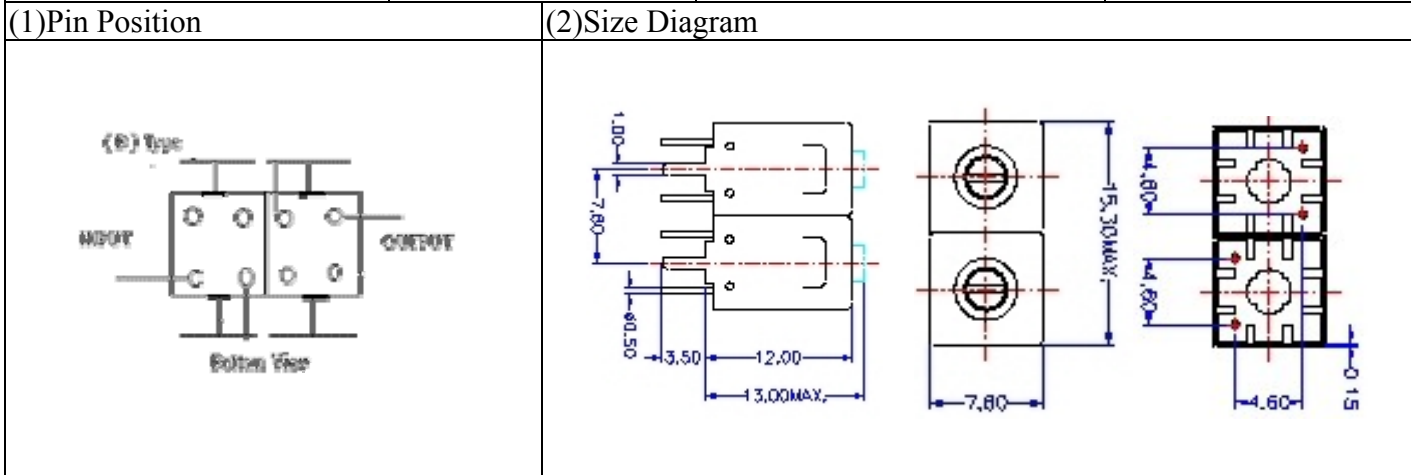


VHF UHF Helical Filter Specification Sheet

Customer Name		Temwell's Part No.	K2B1-360M-10M
Approval No. /dated	20402052DC	Customer's Part No.	7HW-35515A-360
Work Instruction No.	20402052DC	Date	Feb.12.2004



(3) Electric Characteristic

Item	Specify	Performance	
Center Freq.(Fo) +/- 0.5 %	360 MHz	360 MHz	
Tunable Range: <input type="checkbox"/> Fo±5MHz <input type="checkbox"/> Fo±10MHz <input type="checkbox"/> Fo±15MHz	360±4 MHz	360±4 MHz	
Insertion Loss	Max. 2.5 dB	1.6 dB	
-3 dB Bandwidth	Typ. 10 MHz	15 MHz	
Sensitivity (Attenuation)	Fo - 50 MHz	Typ. 35 dBc	40 dBc
	Fo + 50 MHz	Typ. 25 dBc	28 dBc
	Fo - ()MHz	Typ. dBc	dBc
	Fo + ()MHz	Typ. dBc	dBc
Return Loss	Min. 12 dB	48 dB	
Ripple	< 1 dB	dB	
Impedance	In / Out : 50 Ω	In / Out : 50 Ω	

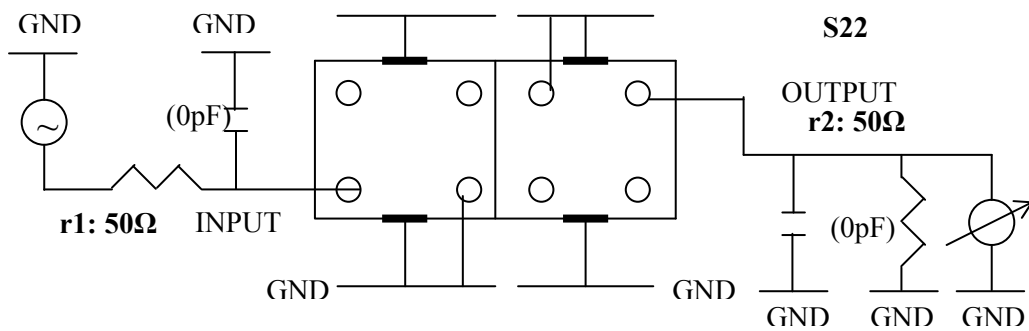
(4) Torque for Tuning Screw > 60gf · cm

(5) Temperature Condition:

Operating Temperature	0°C ~ +60°C
Storage Temperature	20°C ~ +70°C

(6) Input Power > 1Watt

(7) Measuring Circuit: ※Easy to match Impedance 50Ω by parallel with about (0) pF.



(Bottom View)

Approval	Supervisor	Designer	Aperture size
C.Y.Chang	C.S.Chang	Enlan	7H2(4*6.5)(4*6.58) 7H046RB4

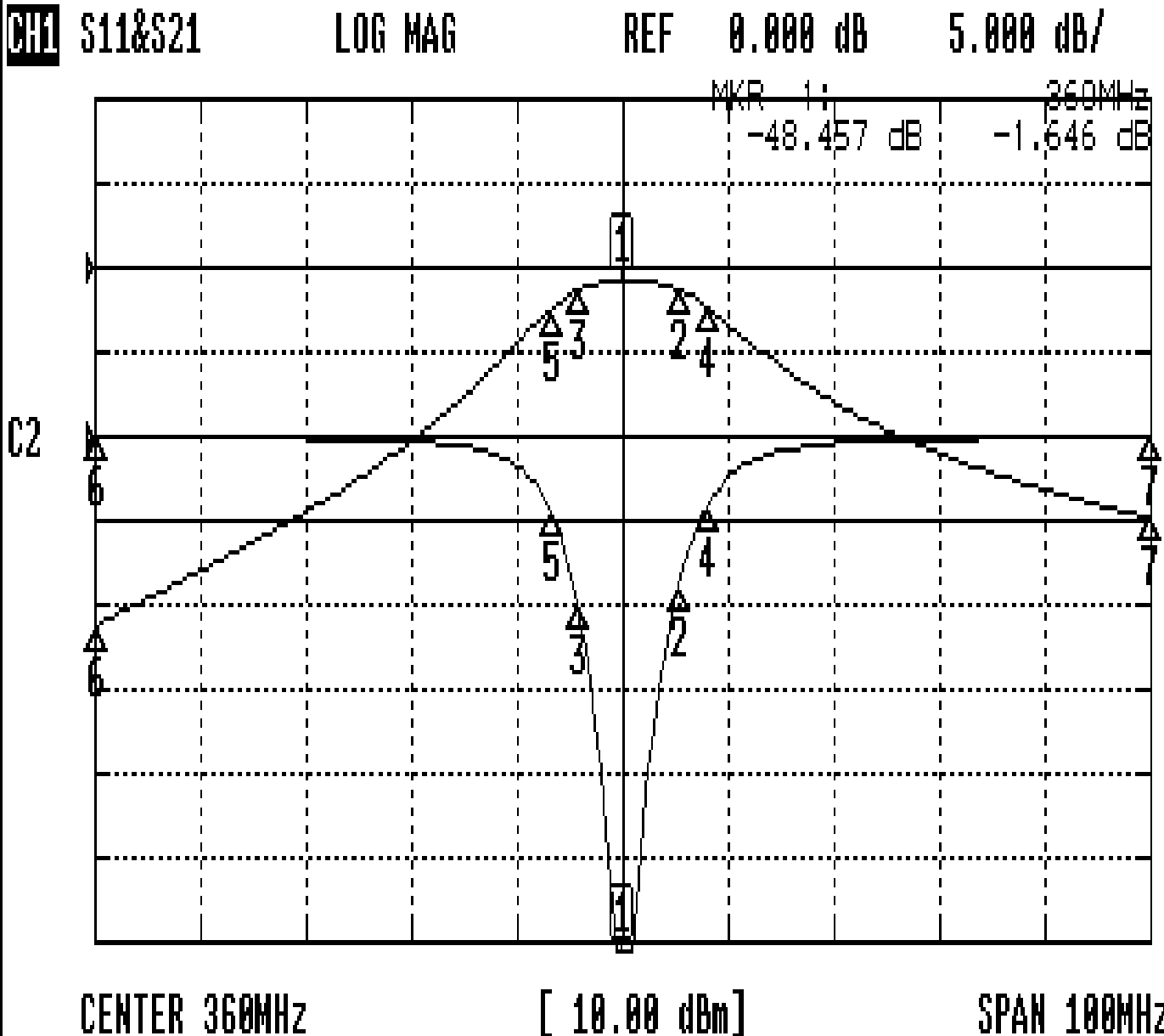
TEMWELL CORPORATION

TEMWELL

Form10-7H2B Vision D

Performance-K2B1-360M-10M

20402052DC



CH1 MARKER LIST

1:	360.000MHz	-48.457 dB	-1.646 dB
2:	365.333MHz	-8.925 dB	-2.636 dB
3:	355.750MHz	-9.888 dB	-2.640 dB
4:	368.000MHz	-4.157 dB	-4.616 dB
5:	353.333MHz	-4.574 dB	-4.670 dB
6:	310.000MHz	-0.083 dB	-42.424 dB
7:	410.000MHz	-0.081 dB	-29.606 dB