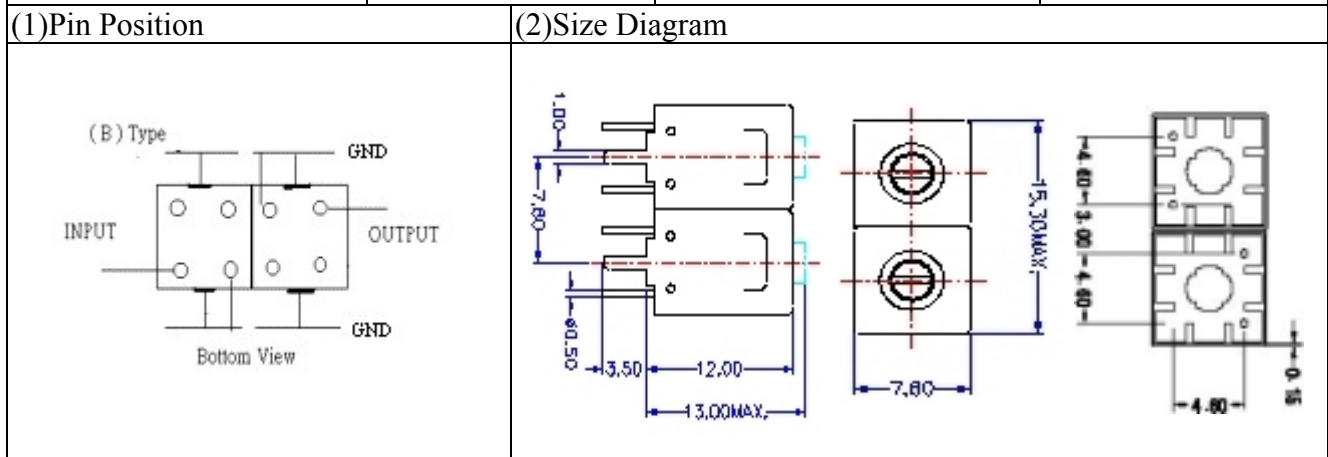


VHF UHF Helical Filter Specification Sheet

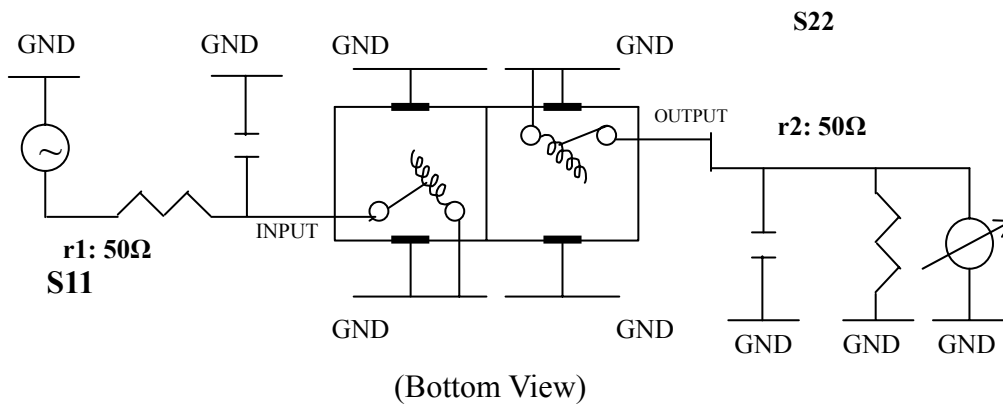
Customer Name		Temwell's Part No.	K2B-480M-20M
Approval No. /dated	201007112CD	Temwell's print Name.	K2B 480M
Work Instruction No.	201007112CD	Date	Jul.14.2010



(3)Electric Charasteric

Item	Specify	Performance
Center Freq.(Fo) +/- 0.75 %	480 MHz	480 MHz
Insertion Loss	Typ. 2.0 dB	1.35 dB
-3 dB Bandwidth	Typ. 20 MHz	27.3 MHz
Sensitivity (Attenuation)	Fo - 50 MHz	Typ. 22 dBc
	Fo + 50 MHz	Typ. 16 dBc
	Fo - ()MHz	Typ. dBc
	Fo +()MHz	Typ. dBc
Return Loss	Min. 12 dB	32.1 dB
Ripple	< 1 dB	dB
Impedance	In / Out : 50 Ω	In / Out : 50 Ω
(4)Torque for Tuning Screw	> 100gf cm	
(5)Temperature Condition:		
Operating Temperature	-30 ~ +70	
Storage Temperature	-30 ~ +80	
(6)Input Power	> 1Watt	

(7)Measuring Circuit: Easy to match Impedance S11/S22 50Ω by parallel with about (--) .



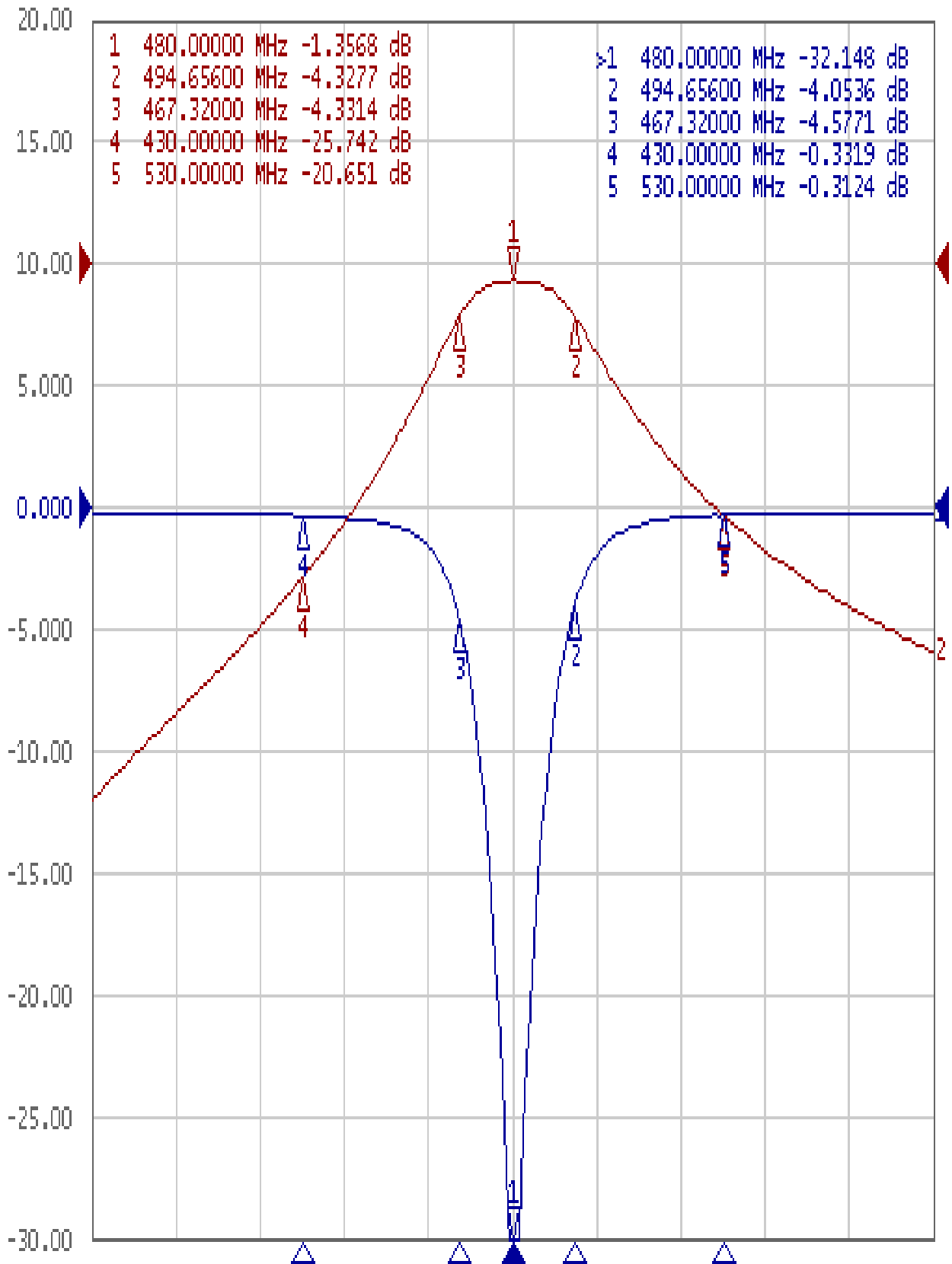
Approval C.Y.Chang	Supervisor C.K.Chang	Designer P.H.Chiang	Aperture size 7H2S(4*4.65)(4.68) (7H046RB5.5)
-----------------------	-------------------------	------------------------	---

TEMWELL CORPORATION

Performance-K2B-480M-20M

201007112CD

▶ [F1] S11 Log Mag 5.000dB/ Ref 0.000dB [F2]
Tr2 S21 Log Mag 10.00dB/ Ref 0.000dB [F2]



1 Center 480 MHz

IFBW 70 kHz

Span 200 MHz Cor !