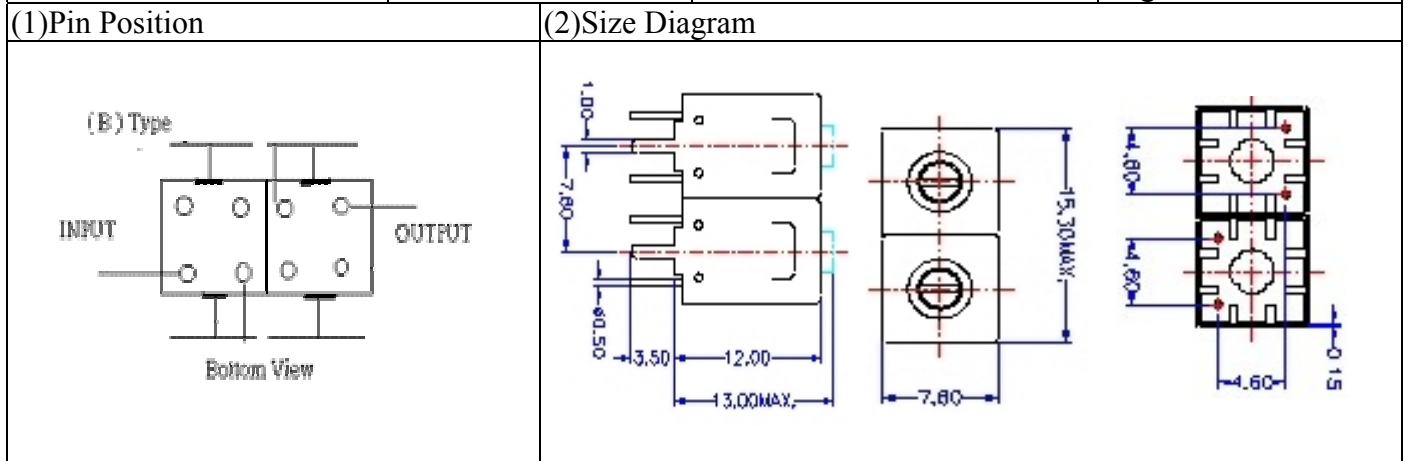


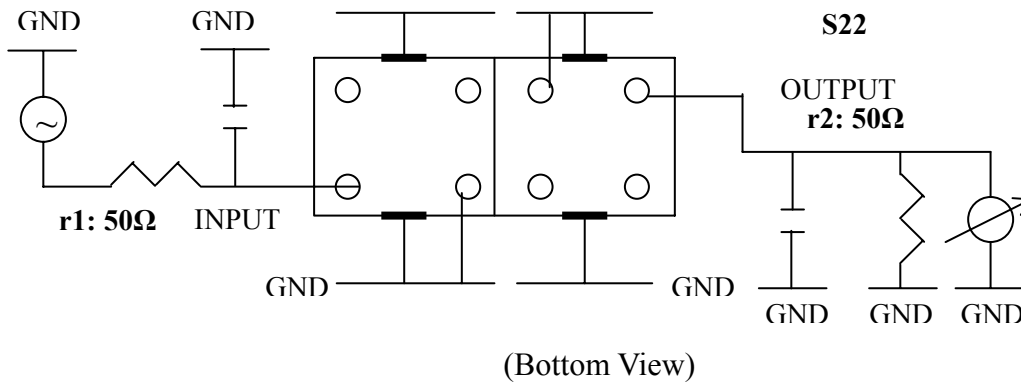
# VHF UHF Helical Filter Specification Sheet

Customer Name		Temwell's Part No.	K2B-462M-20M
Approval No. /dated	201008097CD	Temwell's Print name.	K2B 462M
Work Instruction No.	201008097CD	Date	Aug.23.2010



(3) Electric Characteristic			
Item	Specify	Performance	
Center Freq.(Fo) +/- 0.75 %	462 MHz	462	MHz
Insertion Loss	Typ. 2.0 dB	1.56	dB
-3 dB Bandwidth	Typ. 20 MHz	22.2	MHz
Sensitivity (Attenuation)	Fo - 50 MHz	Typ. 22 dBc	30 dBc
	Fo + 50 MHz	Typ. 16 dBc	23 dBc
	Fo - ( )MHz	Typ. dBc	dBc
	Fo +( )MHz	Typ. dBc	dBc
Return Loss	Min. 12 dB	29.6	dB
Ripple	< 1 dB		dB
Impedance	In / Out : 50 Ω	In / Out : 50 Ω	
(4) Torque for Tuning Screw > 100gf cm			
(5) Temperature Condition:			
Operating Temperature	-30 ~ +70		
Storage Temperature	-30 ~ +80		
(6) Input Power	> 1Watt		

(7) Measuring Circuit: Easy to match Impedance 50Ω by parallel with about ( - - )PF.



Approval	Supervisor	Designer	Aperture size
C.Y.Chang	C.K.Chang	Y.H.Yeh	7H2S(4*4.65)(4.68) 7H046RB5.5

TEMWELL CORPORATION

# Performance-K2B-462M-20M

201008097CD

