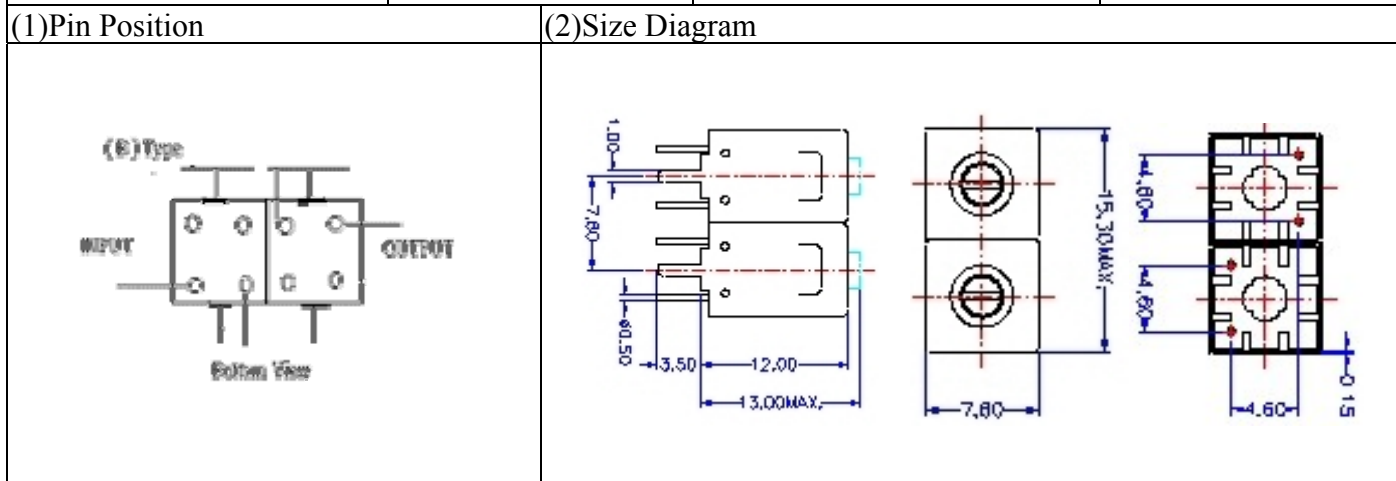


VHF UHF Helical Filter Specification Sheet

Customer Name		Temwell's Part No.	K2B-415M-30M
Approval No. /dated	201012077CD	Temwell's Print name.	K2B 415M
Work Instruction No.	201012077CD	Date	Dec.15.2010



(3) Electric Characteristic

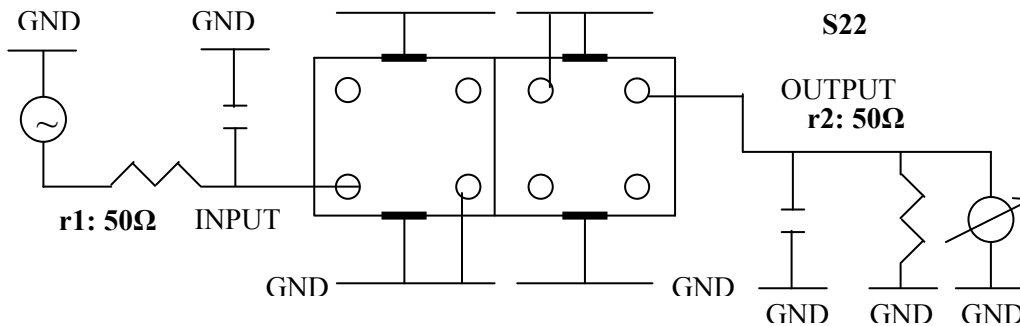
Item	Specify	Performance	
Center Freq.(Fo) +/- 0.5 %	415 MHz	415 MHz	
Insertion Loss	Typ. 5.0 dB	0.84 dB	
-3 dB Bandwidth	Typ. 30 MHz	34.5 MHz	
Sensitivity (Attenuation)	Fo - 30 MHz	Typ. 8 dB	9 dB
	Fo + 30 MHz	Typ. 7 dB	11 dB
	Fo - ()MHz	Typ. dB	dB
	Fo +()MHz	Typ. dB	dB
Return Loss	Min. 12 dB	27.1 dB	
Ripple	< 1 dB	dB	
Impedance	In / Out : 50 Ω	In / Out : 50 Ω	
(4) Torque for Tuning Screw	> 100gf · cm		

(5) Temperature Condition:

Operating Temperature	-30°C ~ +70°C
Storage Temperature	-30°C ~ +80°C

(6) Input Power

(7) Measuring Circuit: ※Easy to match Impedance S11/S22 50Ω by parallel with about ().



(Bottom View)

Approval	Supervisor	Designer	Aperture size
C.Y.Chang	C.K.Chang	P.H.Chiang	7H2S(4*7.5)(7.55) 7H046LB4 聚 3

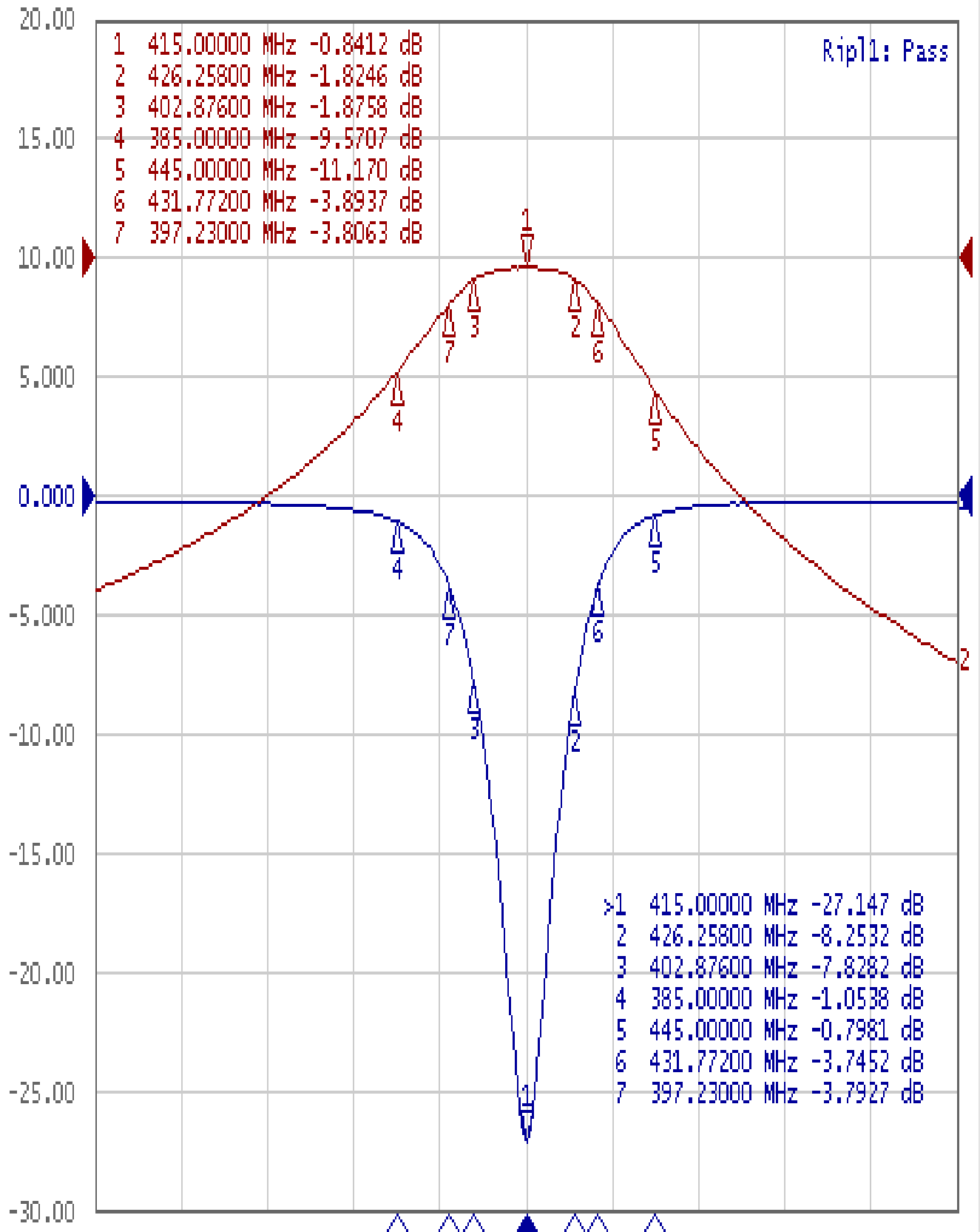
TEMWELL CORPORATION

Performance-K2B-415M-30M

201012077CD

Tr1 S11 Log Mag 5.000dB/ Ref 0.000dB [F2]

Tr2 S21 Log Mag 10.00dB/ Ref 0.000dB [F2]



1 Center 415 MHz

IFBW 70 kHz

Span 200 MHz Cor |