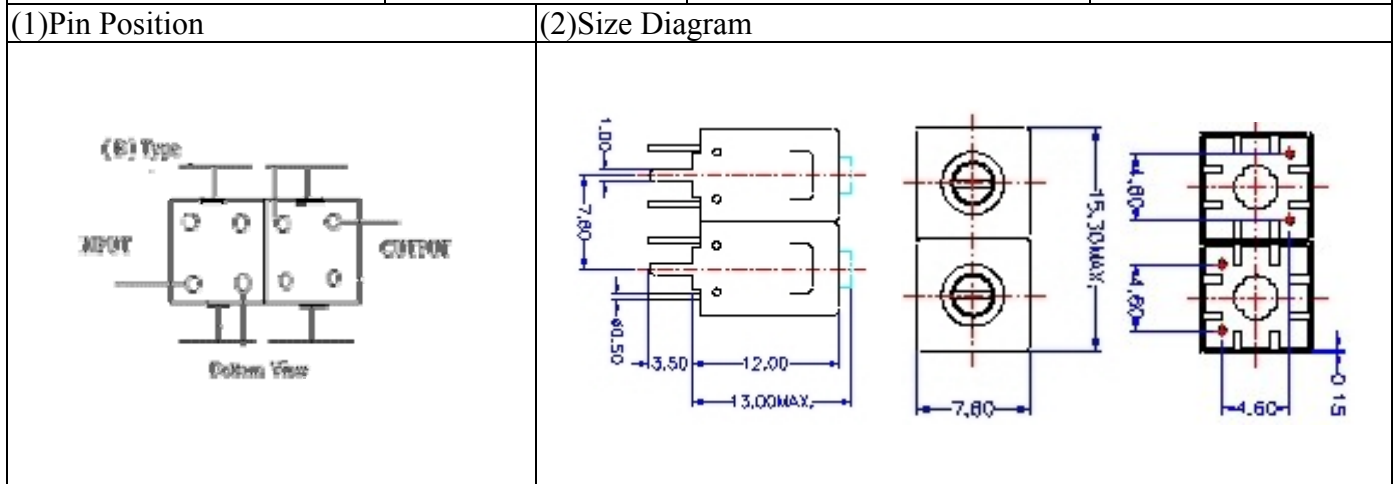


VHF UHF Helical Filter Specification Sheet

Customer Name		Temwell's Part No.	K2B-380M-21M
Approval No. /dated	201012076CD	Temwell's Print name.	K2B 380M
Work Instruction No.	201012076CD	Date	Dec.12.2010



(3) Electric Charasteric

Item	Specify	Performance	
Center Freq.(Fo) +/- 0.75 %	380 MHz	380 MHz	
Insertion Loss	Typ. 3.5 dB	1.11 dB	
-3 dB Bandwidth	Typ. 21 MHz	27.4 MHz	
Sensitivity (Attenuation)	Fo - 90 MHz	Typ. 40 dB	44 dB
	Fo + 90 MHz	Typ. 27 dB	29 dB
	Fo - ()MHz	Typ. dB	dB
	Fo +()MHz	Typ. dB	dB
Return Loss	Min. 12 dB	21.1 dB	
Ripple	< 1 dB	dB	
Impedance	In / Out : 50 Ω	In / Out : 50 Ω	
(4)Torque for Tuning Screw	> 100gf · cm		

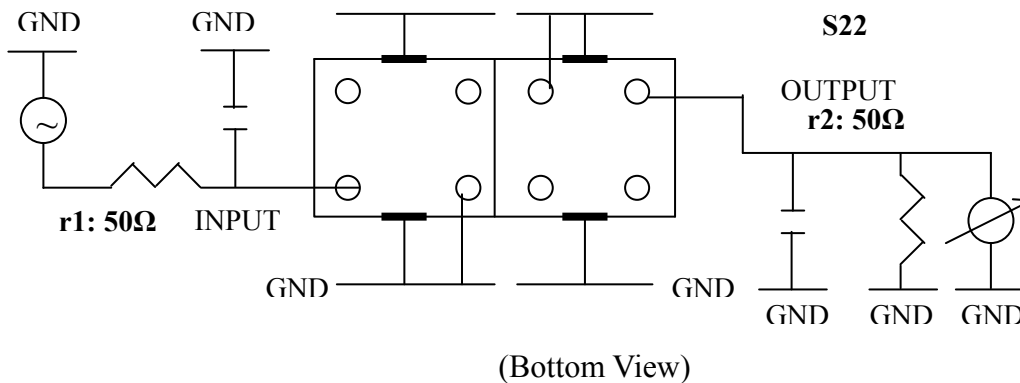
(5)Temperature Condition:

Operating Temperature	-30°C ~ +60°C
Storage Temperature	-30°C ~ +70°C

(6)Input Power

> 1Watt

(7)Measuring Circuit: ※Easy to match Impedance S11/S22 50Ω by parallel with about ().



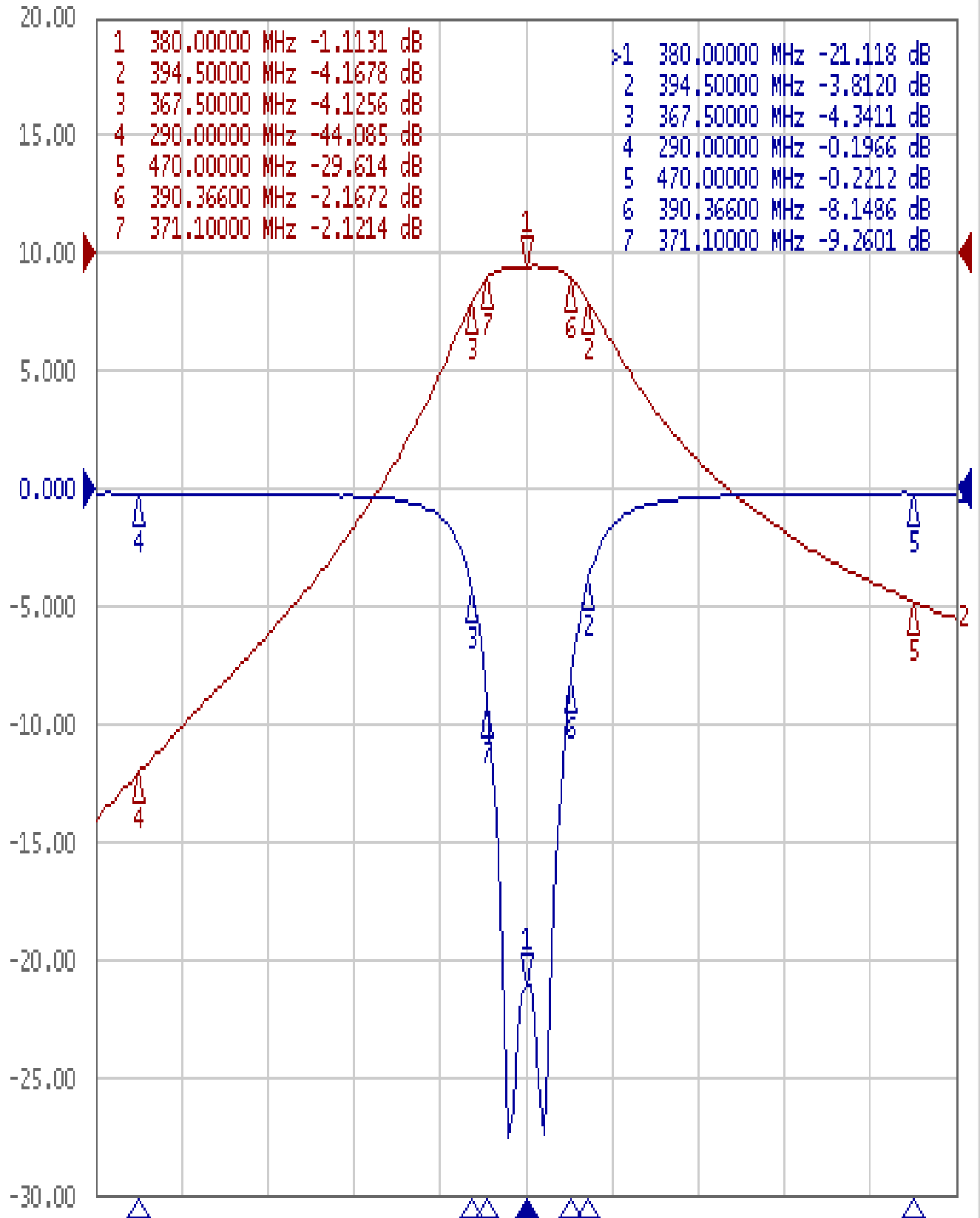
Approval C.Y.Chang	Supervisor C.K.Chang	Designer P.H.Chiang	Aperture size 7H2S(4*5.35)(5.40) 7H046RB5.5
-----------------------	-------------------------	------------------------	---

TEMWELL CORPORATION

Performance-K2B-380M-21M

201012076CD

Tr1 511 Log Mag 5.000dB/ Ref 0.000dB [F2]
Tr2 521 Log Mag 10.000dB/ Ref 0.000dB [F2]



1 Center 380 MHz

IFBW 70 kHz

Span 200 MHz Cor