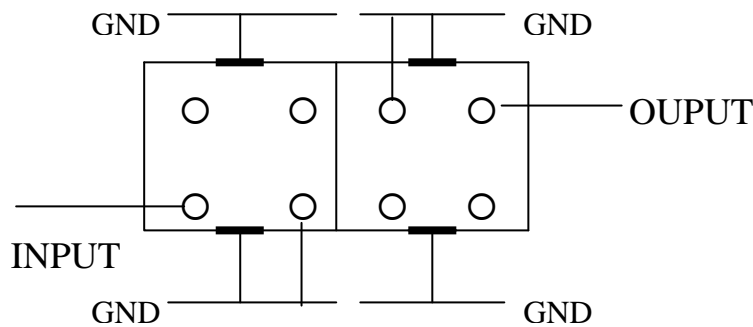


VHF UHF Helical Filter Specification Sheet

Customer Name		Temwell's Part No.	K2B-380M-10M
Approval No. /dated	20401003DC	Customer's Part No.	
Work Instruction No.	20401003DC	Date	Jan.09.2004
<input type="checkbox"/> Buyer Print name		<input type="checkbox"/> Temwell,s print name	
Case Name	7H2	Case size :	
Terminator Type	B		

* Pin Position (Pin Connection) diagram as following

(B) Type



(Bottom View)

(3) Electric Charasteric

Item	Specify	Performance
Center Freq.(Fo) +/- 0.5 %	380 MHz	380 MHz
Insertion Loss	2.0 dB	1.35 dB
-3 dB Bandwidth	10 MHz	18 MHz
Sensentivity (Attenuation)	Fo - 50 MHz	Typ. 30 dB
	Fo + 50 MHz	Typ. 20 dB
	Fo - () MHz	Typ. dB
	Fo +() MHz	Typ. dB
Return Loss	Min. 12 dB	30 dB
Ripple	< 1 dB	dB
Group Delay	ns	ns
Impedance	In / Out : 50 Ω	In / Out : 50 Ω

4. Temperature Condition:

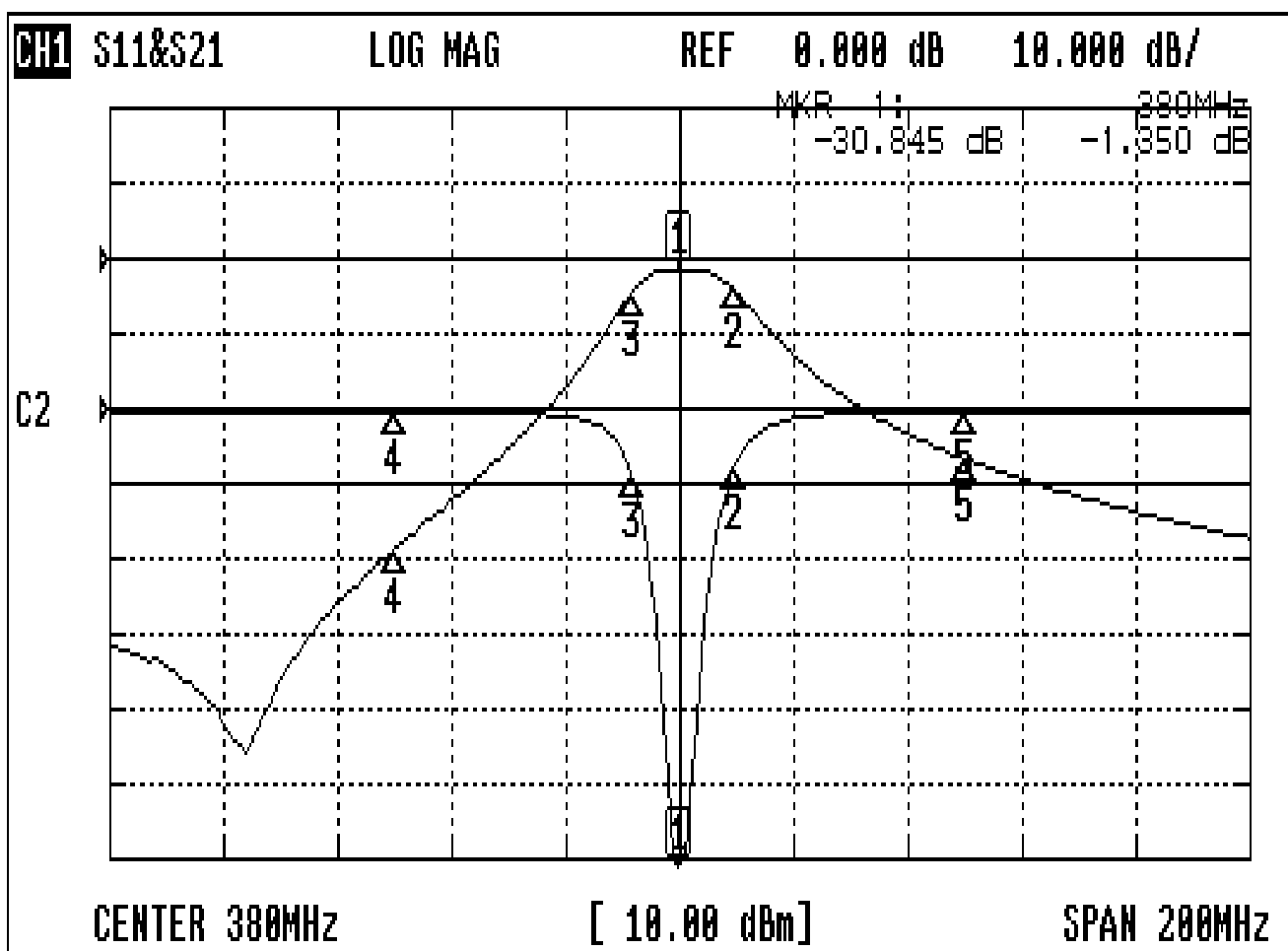
Operating Temperature	0 °C ~ +60 °C
Storage Temperature	-20 °C ~ +70 °C

Approval	Supervisor	Designer	Aperture size
	C.S.Chang	P.H.Ching	7H2(4*6.5)(6.58) 7H046RB4

TEMWELL CORPORATION

Performance-K2B-380M-10M

20401003DC



CH1 MARKER LIST

1:	380.000MHz	-30.845 dB	-1.350 dB
2:	389.833MHz	-3.827 dB	-4.276 dB
3:	371.833MHz	-4.584 dB	-4.373 dB
4:	330.000MHz	-0.180 dB	-38.807 dB
5:	430.000MHz	-0.187 dB	-26.710 dB
6:			
7:			
8:			
9:			
10:			