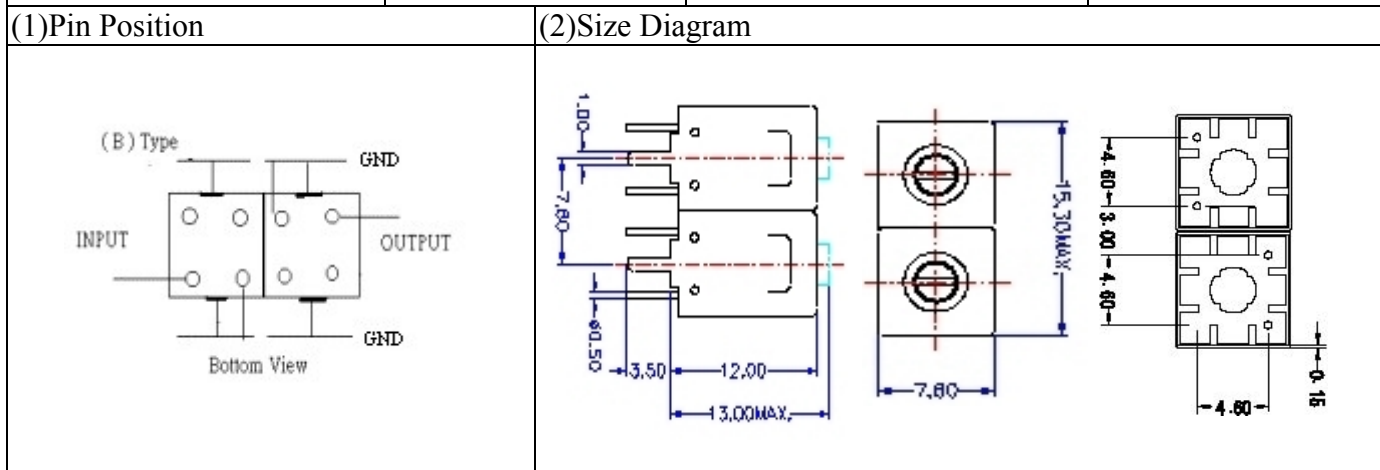


VHF UHF Helical Filter Specification Sheet

Customer Name		Temwell's Part No.	K2B-337M-8M
Approval No. /dated		Temwell's Part name	K2B 337M
Work Instruction No.	201311055CD	Date	Dec.05.2013



(3) Electric Characteristic

Item	Specify	Performance	
Center Freq.(Fo) +/- 0.5 %	337 MHz	337 MHz	
Insertion Loss	Typ. 3.5 dB	2.03 dB	
-3 dB Bandwidth	Typ. 8 MHz	10.2 MHz	
Sensitivity (Attenuation)	Fo - 30 MHz	Typ. 30 dB	39 dB
	Fo + 30 MHz	Typ. 23 dB	28 dB
	Fo - ()MHz	Typ. dB	dB
	Fo +()MHz	Typ. dB	dB
Return Loss	Min. 12 dB	38.2 dB	
Ripple	< 1 dB	dB	
Impedance	In / Out : 50 Ω	In / Out : 50 Ω	

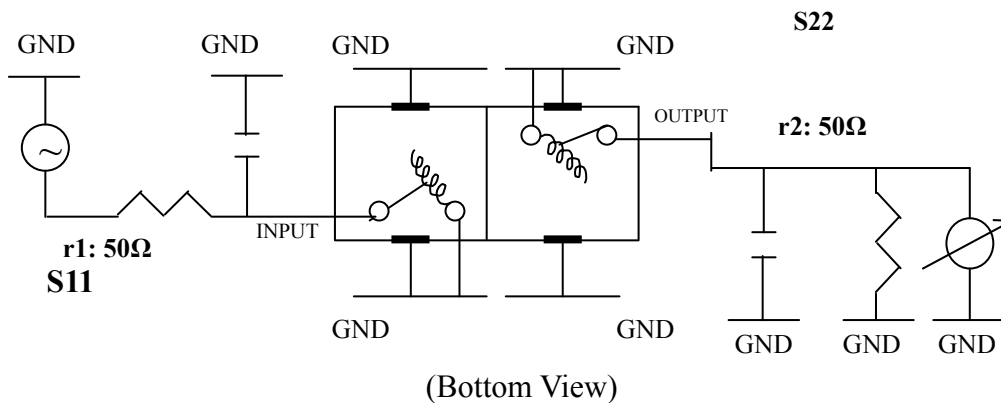
(4) Torque for Tuning Screw > 60gf · cm

(5) Temperature Condition:

Operating Temperature	0°C ~ +60°C
Storage Temperature	-20°C ~ +70°C

(6) Input Power > 1Watt

(7) Measuring Circuit: ※Easy to match Impedance S11/S22 50Ω by parallel with about (--)



Approval	Supervisor	Designer	Aperture size
C.Y.Chang	C.K.Chang	P.H.Chiang	7H2S(4*5.6)(5.64) 7H046RB4- (J1)

TEMWELL CORPORATION

Performance-K2B-337M-8M

201311055CD

