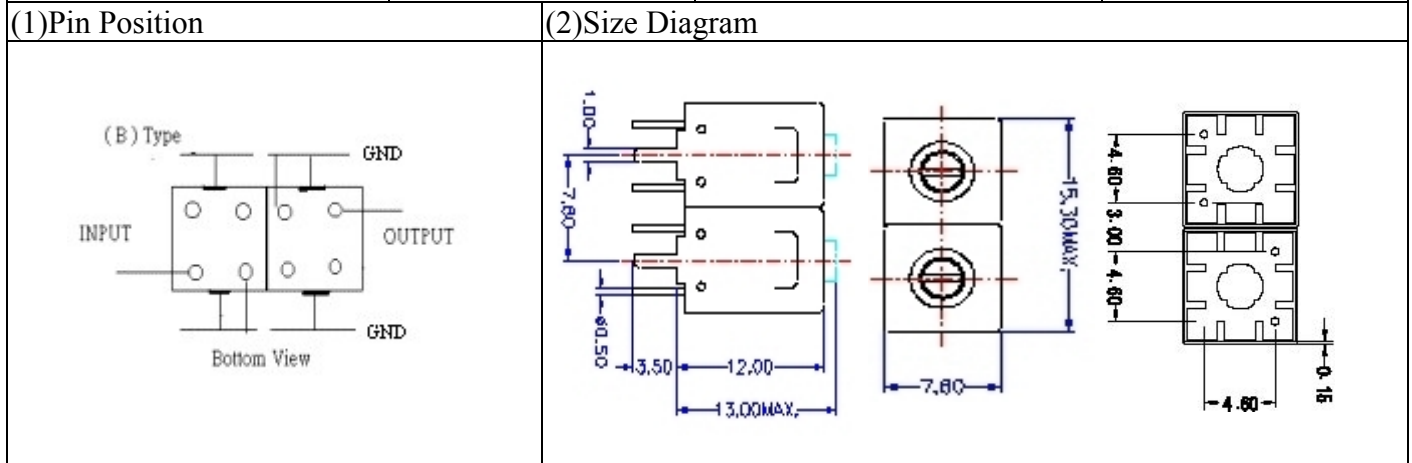


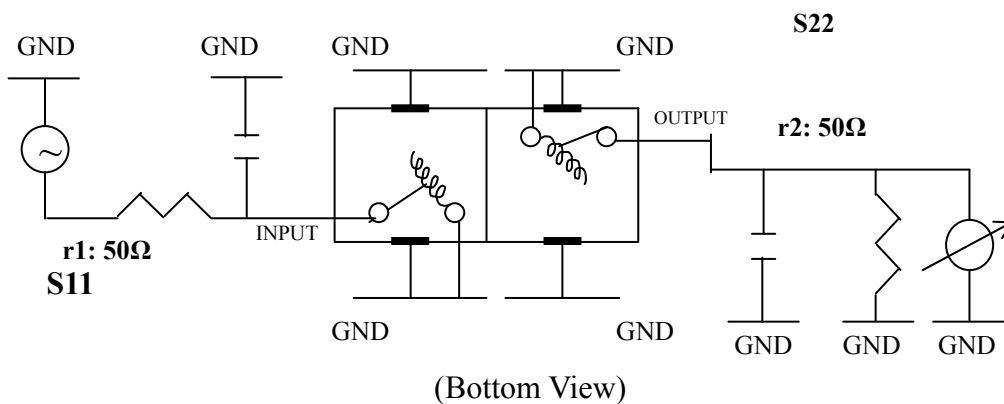
VHF UHF Helical Filter Specification Sheet

Customer Name		Temwell's Part No.	K2B-332M-8M
Approval No. /dated		Temwell's Part name	K2B 332M
Work Instruction No.	201401057CD	Date	Jan.10.2014



(3) Electric Characteristic			
Item		Specify	Performance
Center Freq.(Fo) +/- 0.5 %		332 MHz	332 MHz
Insertion Loss		Typ. 3.5 dB	2.50 dB
-3 dB Bandwidth		Typ. 8 MHz	10.1 MHz
Sensitivity (Attenuation)	Fo - 30 MHz	Typ. 30 dB	40 dB
	Fo + 30 MHz	Typ. 25 dB	28 dB
	Fo - ()MHz	Typ. dB	dB
	Fo +()MHz	Typ. dB	dB
Return Loss		Min. 12 dB	31.2 dB
Ripple		< 1 dB	dB
Impedance		In / Out : 50 Ω	In / Out : 50 Ω
(4) Torque for Tuning Screw		> 60gf · cm	
(5) Temperature Condition:			
Operating Temperature		0°C ~ +60°C	
Storage Temperature		-20°C ~ +70°C	
(6) Input Power		> 1Watt	

(7) Measuring Circuit: ※Easy to match Impedance S11/S22 50Ω by parallel with about (--)



Approval	Supervisor	Designer	Aperture size
C.Y.Chang	C.K.Chang	P.H.Chiang	7H2S(4*6.35)(6.38) 7H046RB4-J1
TEMWELL CORPORATION			

Performance-K2B-332M-8M

201401057CD

