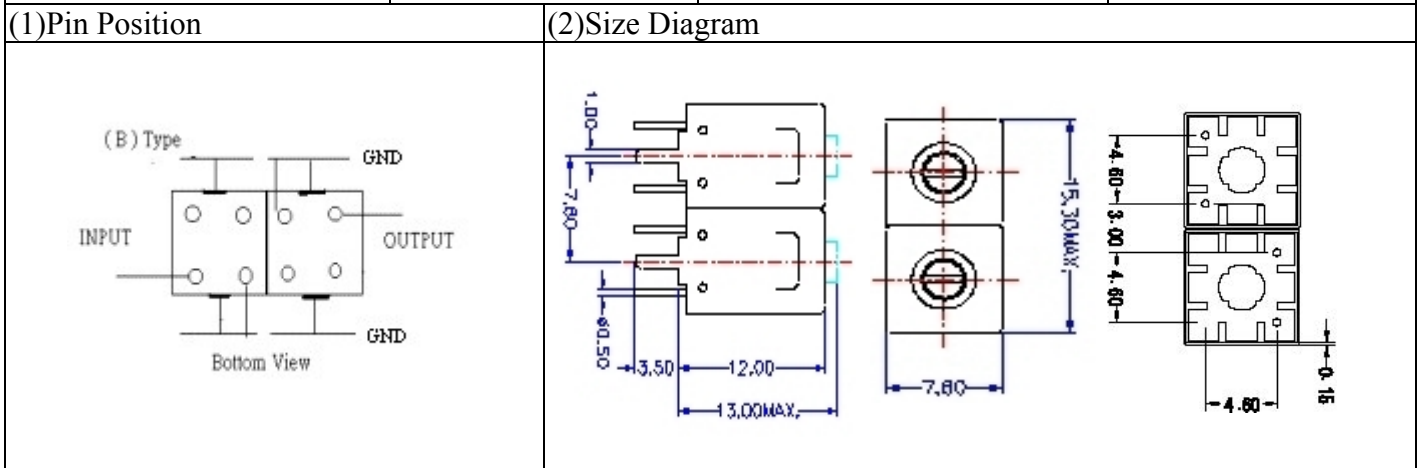


VHF UHF Helical Filter Specification Sheet

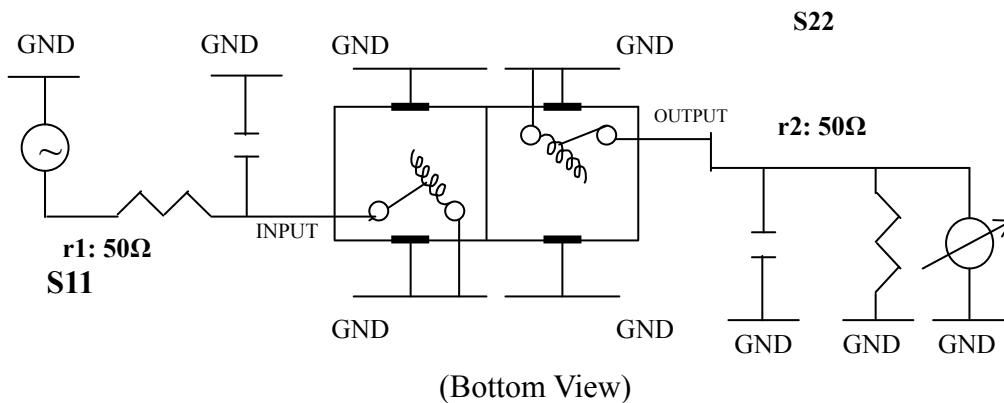
Customer Name		Temwell's Part No.	K2B-223M-4M
Approval No. /dated		Temwell's Print No.	K2B 223M
Work Instruction No.	201402003CD	Date	Feb.21.2014



(3) Electric Characteristic		Specify	Performance
Center Freq.(Fo) +/- 0.5 %		223 MHz	223 MHz
Insertion Loss		Typ. 5.5 dB	3.05 dB
-3 dB Bandwidth		Typ. 4 MHz	5.3 MHz
Sensitivity (Attenuation)	Fo - 20 MHz	Typ. 23 dB	42 dB
	Fo + 20 MHz	Typ. 19 dB	33 dB
	Fo - ()MHz	Typ. dB	dB
	Fo + ()MHz	Typ. dB	dB
Return Loss		Min. 12 dB	37.5 dB
Ripple		< 1 dB	dB
Impedance		In / Out : 50 Ω	In / Out : 50 Ω
(4) Torque for Tuning Screw		> 60gf • cm	

(5) Temperature Condition:	
Operating Temperature	0°C ~ +60°C
Storage Temperature	-20°C ~ +70°C
(6) Input Power	> 1 Watt

(7) Measuring Circuit: ※Easy to match Impedance S11/S22 50Ω by parallel with about (--)



Approval C.Y.Chang	Supervisor C.K.Chang	Designer P.H.Chiang	Aperture size 7H2S(4.65)(4.67) 7H024RB4(J1)
-----------------------	-------------------------	------------------------	---

TEMWELL CORPORATION

Performance-K2B-223M-4M

201402003CD

