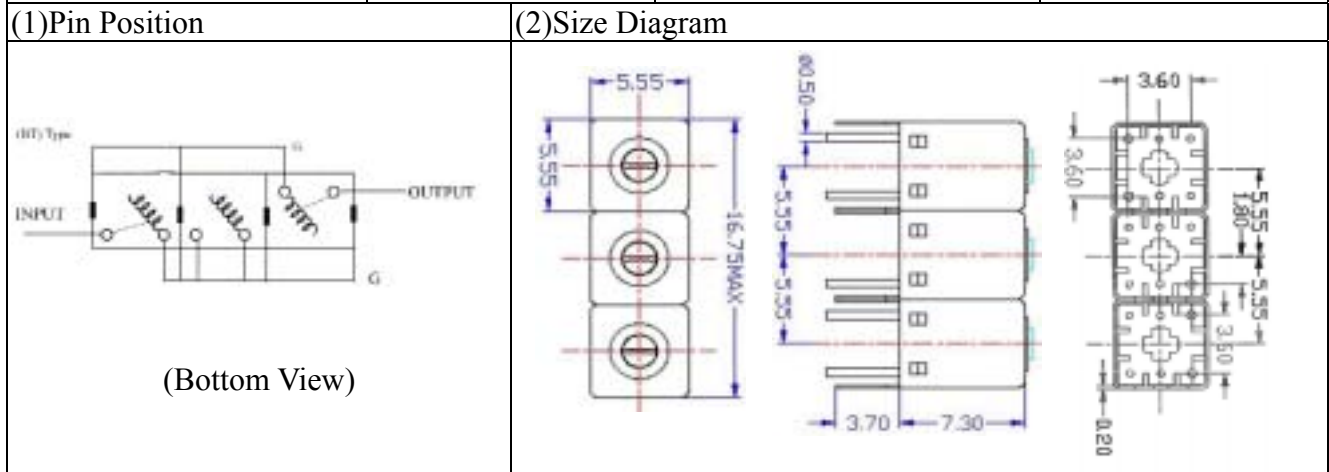


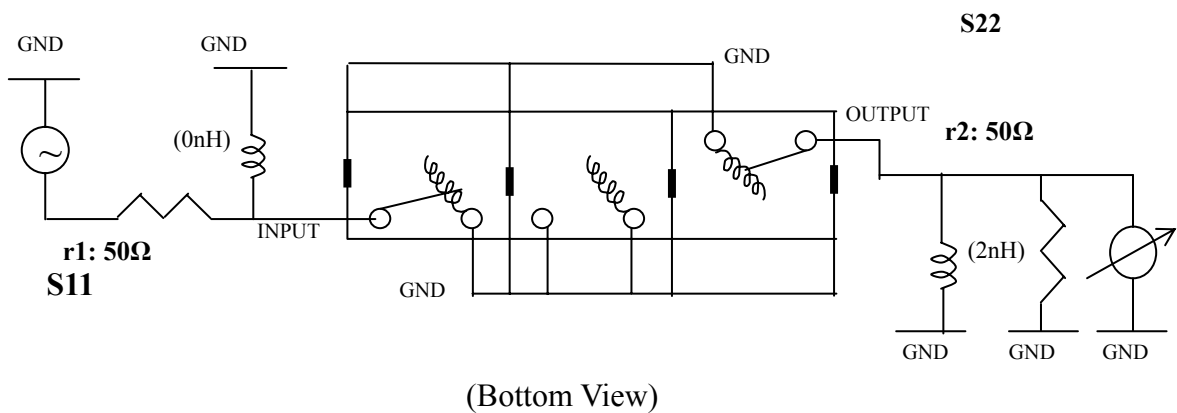
# VHF UHF Helical Filter Specification Sheet

|                      |             |                      |                |
|----------------------|-------------|----------------------|----------------|
| Customer Name        |             | Temwell's Part No.   | K3RBT-705M-20M |
| Approval No. /dated  | 0906102CD   | Temwell,s print name | K3RBT<br>705M  |
| Work Instruction No. | 200906102CD | Date                 | Jul.16.2009    |



| (3)Electric Character         |             | Item                        | Specify         |
|-------------------------------|-------------|-----------------------------|-----------------|
|                               |             | Center Freq.(Fo ) +/- 0.5 % | 705 MHz         |
|                               |             | Insertion Loss              | Typ. 4.0 dB     |
|                               |             | -3 dB Bandwidth             | Typ. 20 MHz     |
| Sensitivity<br>(Attenuation ) | Fo - 50 MHz | Typ. 30 dBc                 |                 |
|                               | Fo + 50 MHz | Typ. 26 dBc                 |                 |
|                               | Fo - ( )MHz | Typ. dBc                    |                 |
|                               | Fo +( )MHz  | Typ. dBc                    |                 |
|                               |             | Return Loss                 | Min. 12 dB      |
|                               |             | Ripple                      | < 1 dB          |
|                               |             | Impedance                   | In / Out : 50 Ω |
| (4)Torque for Tuning Screw    |             | > 60gf cm                   |                 |
| (5)Temperature Condition:     |             |                             |                 |
| Operating Temperature         |             | 0 ~ +60                     |                 |
| Storage Temperature           |             | -20 ~ +70                   |                 |
| (6)Input Power                |             | > 0.5Watt                   |                 |

(7)Measuring Circuit: Easy to match Impedance S11/S22 50Ω by parallel with about( 0 nH) / ( 2nH).



|           |            |          |                                  |
|-----------|------------|----------|----------------------------------|
| Approval  | Supervisor | Designer | Aperture size                    |
| C.Y.Chang | C.K.Chang  | Y.H.Yeh  | 5R3S(3.8*4.2)(4.32)<br>5HW024RB3 |

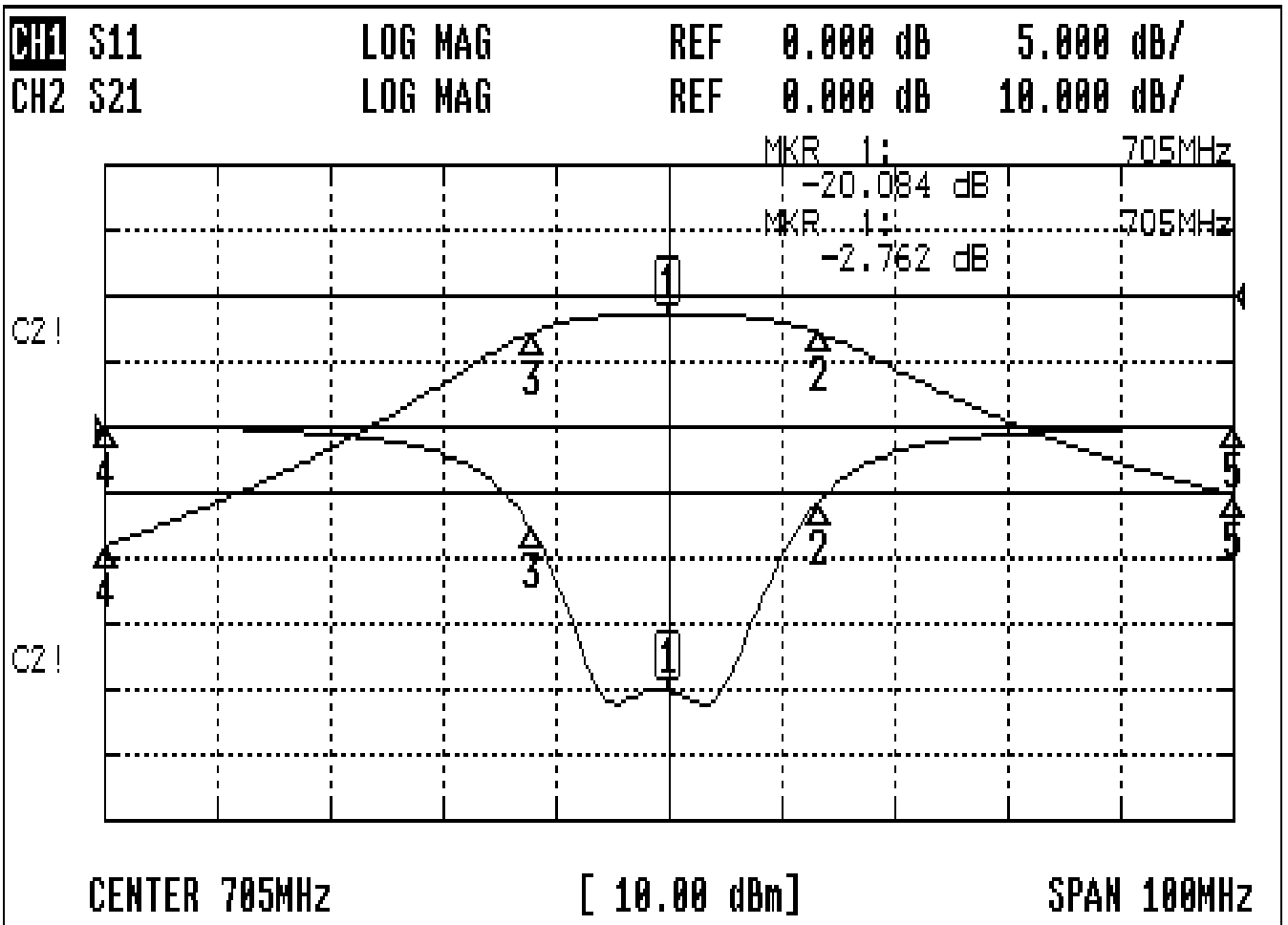
TEMWELL CORPORATION

TEMWELL

Form10-5R3BT Vision D RP(Y.H.Y)

# Performance-K3RBT-705M-20M

## 200906102CD



### CH1 MARKER LIST

|    |            |         |    |
|----|------------|---------|----|
| 1: | 705.000MHz | -20.084 | dB |
| 2: | 718.333MHz | -15.642 | dB |
| 3: | 692.800MHz | -7.677  | dB |
| 4: | 655.000MHz | 0.134   | dB |
| 5: | 755.000MHz | 0.003   | dB |

### CH2 MARKER LIST

|    |            |         |    |
|----|------------|---------|----|
| 1: | 705.000MHz | -2.763  | dB |
| 2: | 718.333MHz | -11.778 | dB |
| 3: | 692.800MHz | -11.740 | dB |
| 4: | 655.000MHz | -10.161 | dB |
| 5: | 755.000MHz | -10.334 | dB |