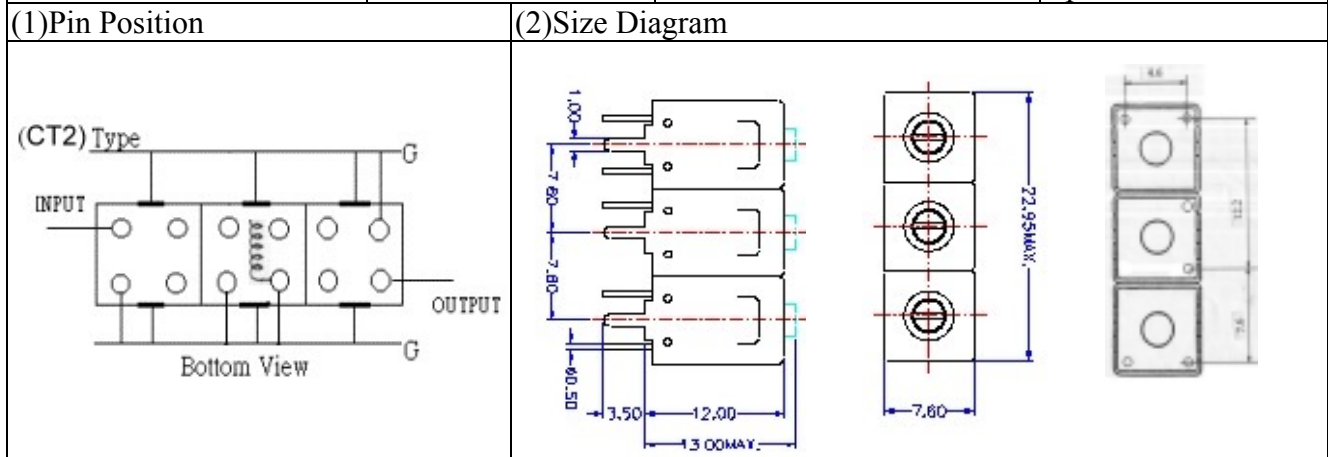
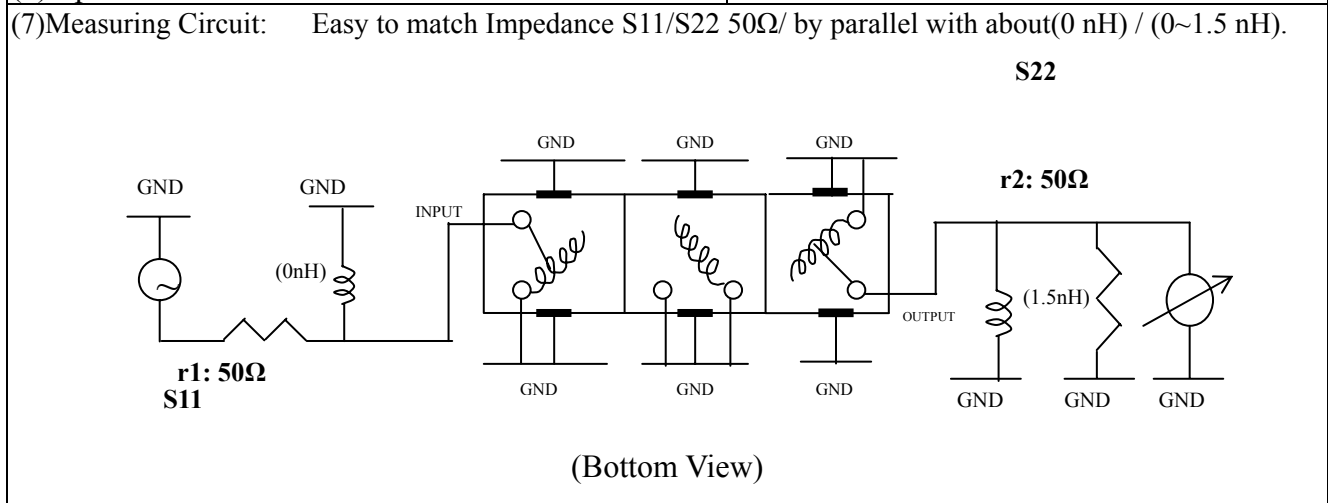


VHF UHF Helical Filter Specification Sheet

Customer Name		Temwell's Part No.	K3CT2-651M-10M
Approval No. /dated	20404062DC	Customer's Part No.	
Work Instruction No.	20404062DC	Date	Apr.23.2004



(3) Electric Characteristic		Item	Specify
Center Freq.(Fo) +/- 0.5 %			651 MHz
Insertion Loss		Typ	4.5 dB
-3 dB Bandwidth		Typ.	10 MHz
Sensitivity (Attenuation)	Fo - 50 MHz	Typ.	40 dBc
	Fo + 50 MHz	Typ.	40 dBc
	Fo - ()MHz	Typ.	dBc
	Fo +()MHz	Typ.	dBc
Return Loss		Min.	12 dB
Ripple			< 1 dB
Impedance			In / Out : 50 Ω
(4) Torque for Tuning Screw			> 60gf cm
(5) Temperature Condition:			
Operating Temperature			0 ~ +60
Storage Temperature			-20 ~ +70
(6) Input Power			> 1Watt

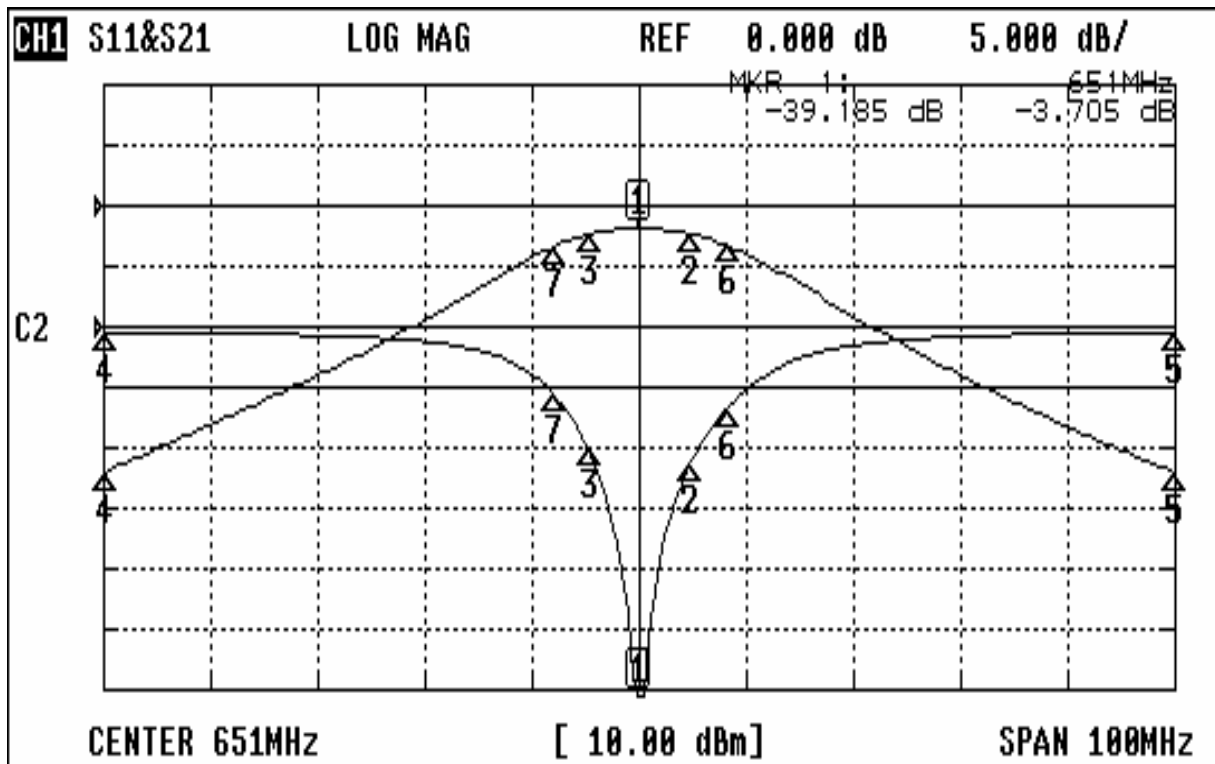


Approval	Supervisor	Designer	Aperture size
	C.S.Chang	P.H.Ching	7H3(4*6.5)(6.60)

TEMWELL CORPORATION

Performance-K3CT2-651M-10M

20404062DC



CH1 MARKER LIST

1:	651.000MHz	-39.183 dB	-3.704 dB
2:	655.916MHz	-11.307 dB	-4.704 dB
3:	646.333MHz	-10.165 dB	-4.711 dB
4:	601.000MHz	-0.418 dB	-44.219 dB
5:	701.000MHz	-0.444 dB	-44.086 dB
6:	659.416MHz	-6.544 dB	-6.724 dB
7:	643.000MHz	-5.476 dB	-6.778 dB
8:			
9:			
10:			