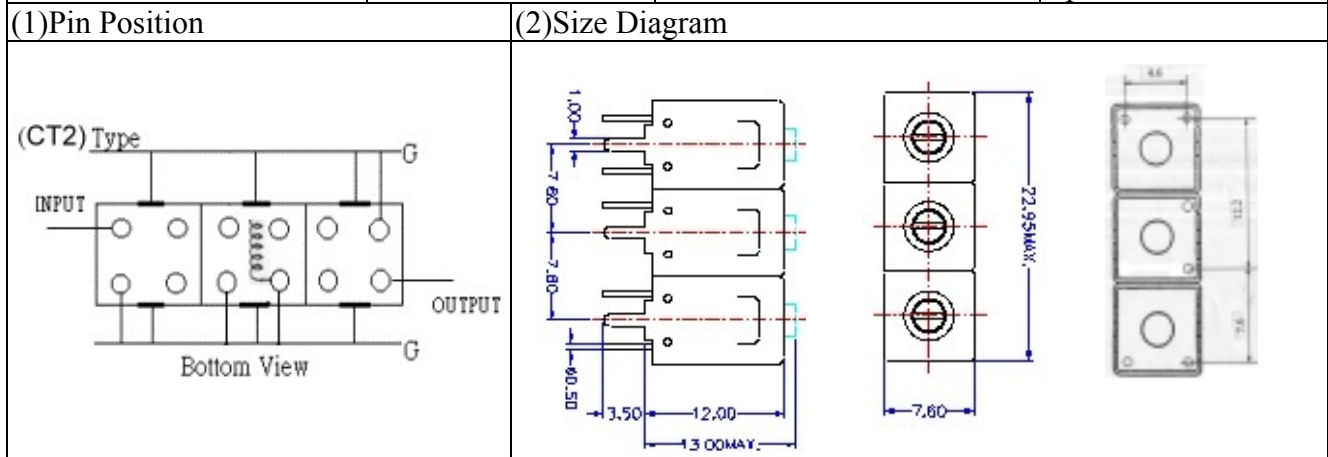
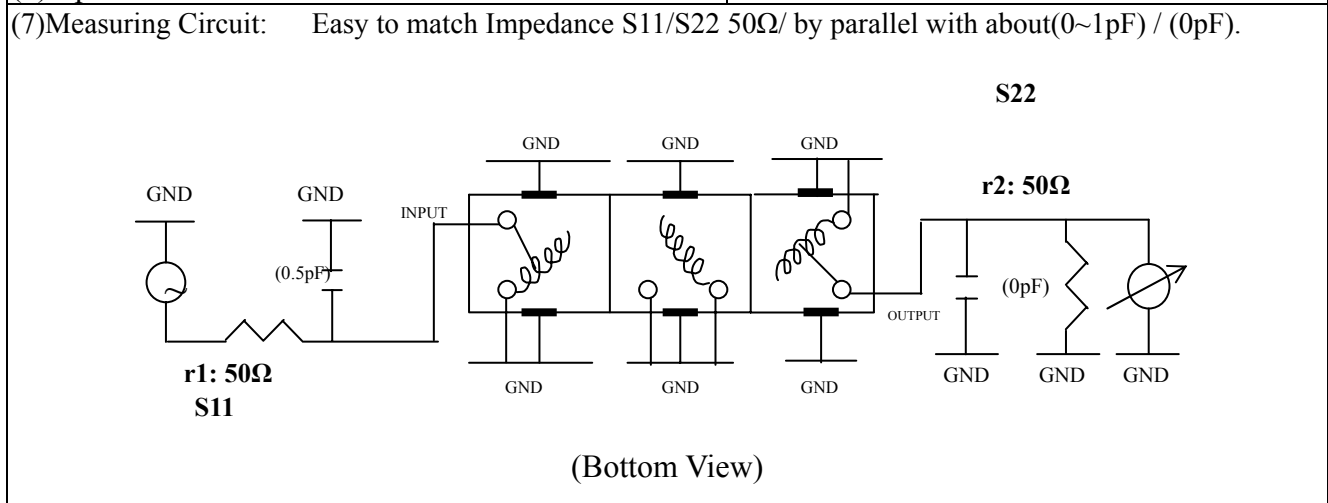


VHF UHF Helical Filter Specification Sheet

Customer Name		Temwell's Part No.	K3CT2-600M-20M
Approval No. /dated	20404060DC	Customer's Part No.	
Work Instruction No.	20404060DC	Date	Apr.22.2004



(3) Electric Characteristic			
Item		Specify	
Center Freq.(Fo) +/- 0.5 %		600	MHz
Insertion Loss		Typ. 3.5	dB
-3 dB Bandwidth		Typ. 20	MHz
Sensitivity (Attenuation)	Fo - 30 MHz	Typ. 16	dBc
	Fo + 30 MHz	Typ. 11	dBc
	Fo - ()MHz	Typ.	dBc
	Fo +()MHz	Typ.	dBc
Return Loss		Min. 12	dB
Ripple		< 1	dB
Impedance		In / Out : 50 Ω	
(4) Torque for Tuning Screw		> 60gf cm	
(5) Temperature Condition:			
Operating Temperature		0 ~ +60	
Storage Temperature		-20 ~ +70	
(6) Input Power		> 1Watt	

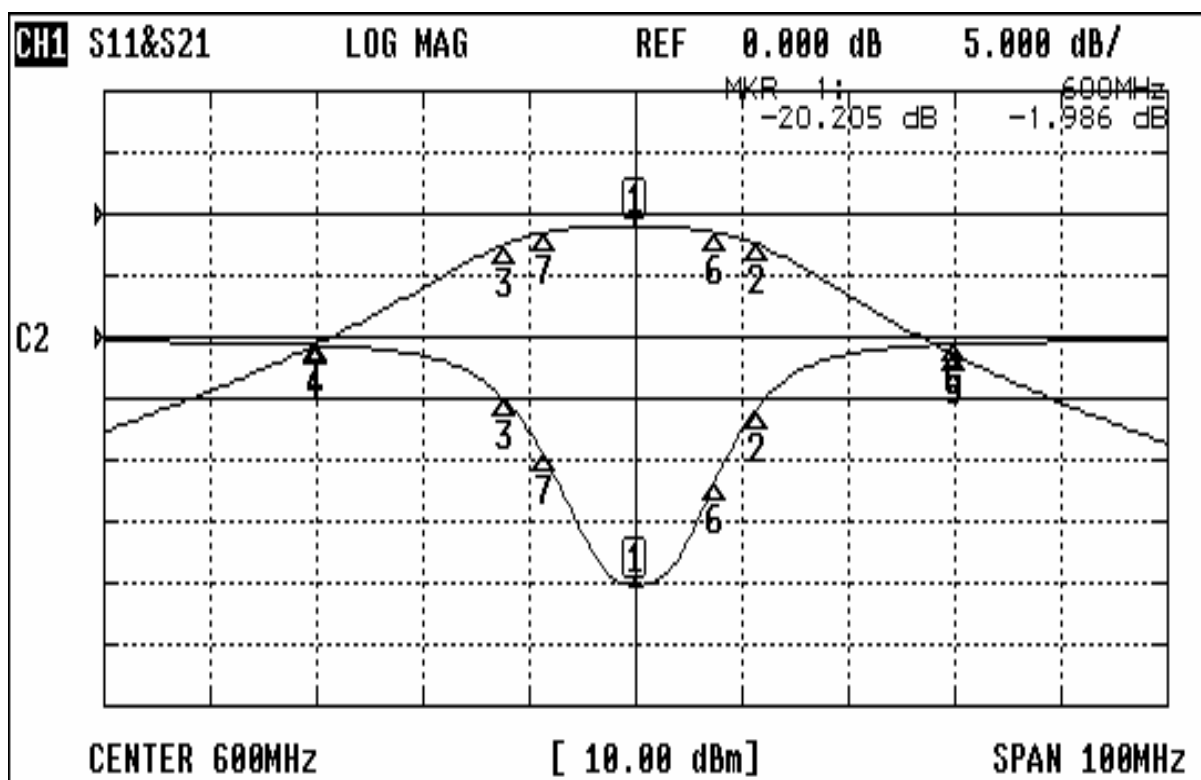


Approval	Supervisor	Designer	Aperture size
	C.S.Chang	P.H.Ching	7H3(4*6.5)(6.60)

TEMWELL CORPORATION

Performance-K3CT2-600M-20M

20404060DC



CH1 MARKER LIST

1:	600.000MHz	-20.205 dB	-1.986 dB
2:	611.416MHz	-5.812 dB	-4.933 dB
3:	587.666MHz	-5.029 dB	-4.947 dB
4:	570.000MHz	-0.659 dB	-21.160 dB
5:	630.000MHz	-0.567 dB	-22.832 dB
6:	607.583MHz	-11.645 dB	-2.947 dB
7:	591.416MHz	-9.587 dB	-2.973 dB
8:			
9:			
10:			